

6	PERFORMANCE TEST	1	7
5	COVER	1	6
4	HOLDER	1	5
3	WIRE ROPE	1	4
2	BODY	1	3
1	HEAD	1	2
	ASSEMBLY		1

ITEM No. NOMENCLATURE DRG/SPEC/NO. No. OFF. SHIT No.

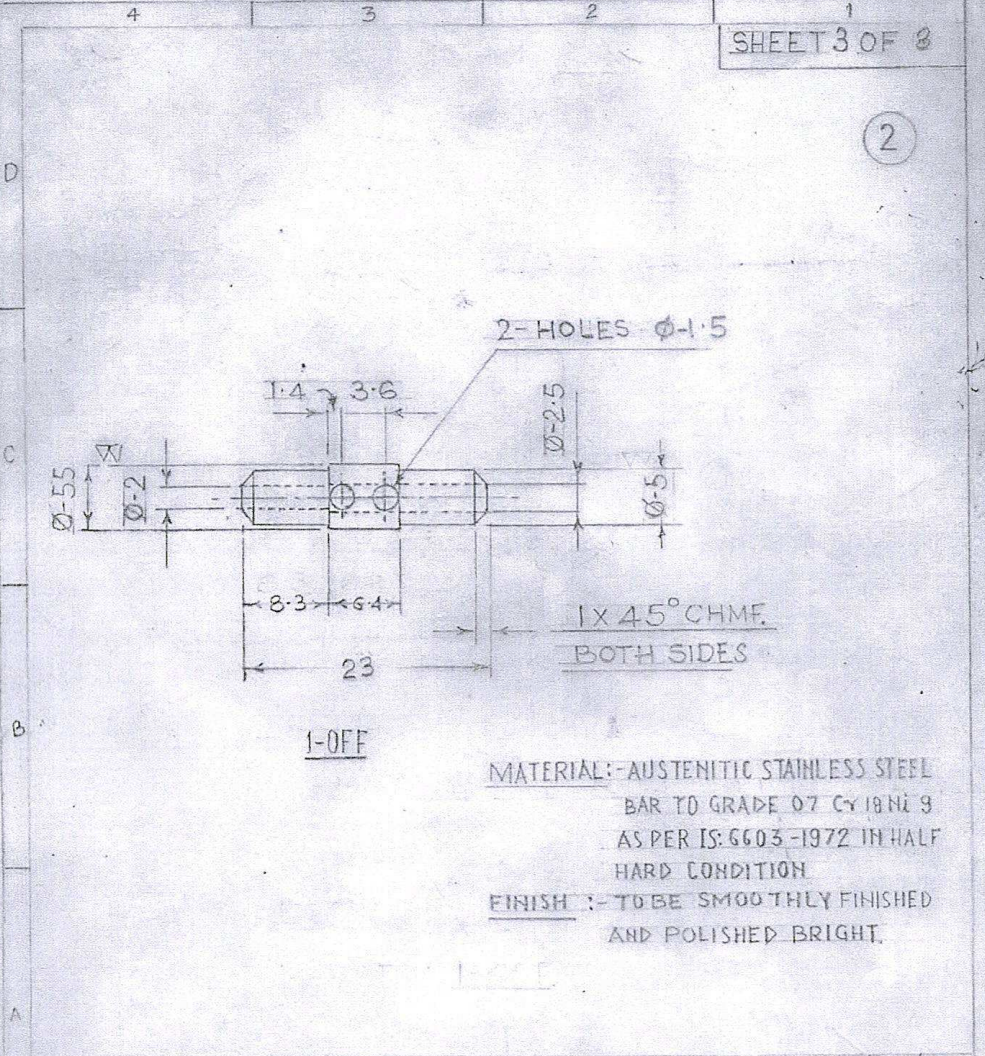
**DETAIL INDEX**

DRN	CDR	MATERIAL :-	ADRDE AGRA
CHD	TRD	FINISH :-	APPROVED
TRD	COMP	PROTECTIVE TREATMENT :-	PROG DIRECTOR (QA)
SCALE: 2:1			DRG. NO. ADRDE/1321-0-10
DIMENSIONS ARE IN MM			DRD/88758
TOLERANCES ARE AS SHOWN			
15-2102 (S)			
METRIC			

R. No.	DATE	ZONE	AUTHORITY	BRIEF RECORD	D/C	PGD



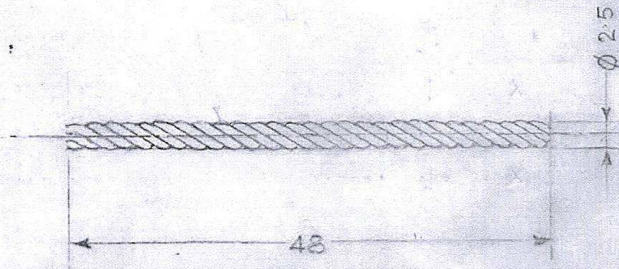
(2)



R.N.	DATE	ZONE	AUTHORITY	BRIEF RECORD	0 1/2 PGD
DRM			DRD	MATERIAL :- AS SPECIFIED ABOVE	ADRDE, AGRA
CHD				FINISH :- AS SPECIFIED ABOVE	
TRD				HEAT TREATMENT	APPROVED
COMP					PRDG. DIRECTOR (O.A)
SCALE :-			DIV. HEAD		DRG. No.
2:1					ADRDE / 1322-02
DIMENSIONS ARE IN MM.					DRD/66/136
TOLERANCE IS: 2102 (PL 3) MEDIUM.					

YELLOW/WHITE LINE RIP PIN

3



MATERIAL : AIRCRAFT QUALITY STAINLESS  
 STEEL WIRE ROPE PREFORMED  
 Ø 2.5 mm, CONSTRUCTION 7X7  
 AND MIN. B S 450 kgf (4415 N)

DRN	DATE	ZONE	AUTHORITY	BRIEF RECORD	O/C	PGD
-----	------	------	-----------	--------------	-----	-----

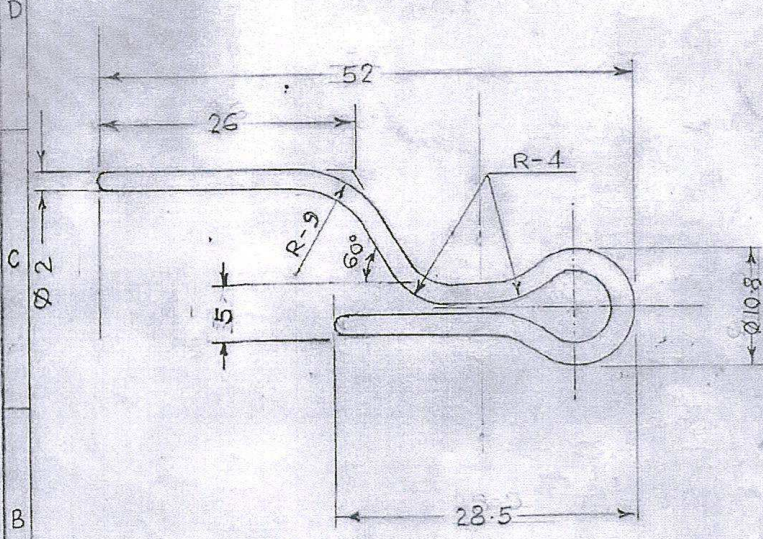
DRN	DRN	MATERIAL :- AS SPECIFIED IN IS ABOVE	ADRDE, AGRA
CHD	25-11-78	FINISH :- POLISHED BRIGHT	
TRD	O/C		
COMP	PGD		

SCALE :- 2:1	DIV HEAD	HEAT TREATMENT	APPROVED
-----------------	----------	----------------	----------

DIMENSIONS ARE IN MM	WIRE ROPE	APPROVED
TOLERANCE IS: 2102 (Pt 3) COARSE	YELLOW/WHITE LINE RIP PIN	PROG DIRECTOR (QA)
		DRG NO: ADRDE/1322-03 (A) (B)

DRD/CG/92

4

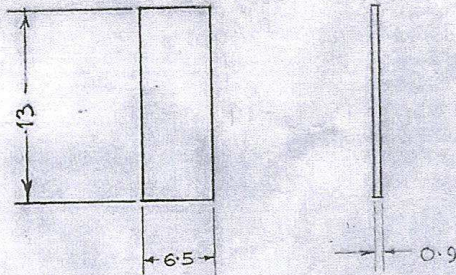


MATERIAL :- AUSTENITIC  
 STAINLESS STEEL WIRE TO  
 GRADE 07 OR 18 NI 9  
 AS PER IS: 6528-1972 IN  
 FULL HARD CONDITION.

1-OFF

R.N.	DATE	ZONE	AUTHORITY	BRIEF RECORD		0 1/2 PGD
DRN	01/01/98		DRD	MATERIAL - AS SPECIFIED ABOVE		A.D.R.D.E., AGRA
CHD	01/01/98		Jala	PGD	FINISH:- TO BE SMOOTHLY FINISHED AND POLISHED BRIGHT	
TRD			0 1/2	PGD	HEAT TREATMENT	
COMP						APPROVED.
SCALE :- 2:1		DIV. HEAD		(HOLDER)		
DIMENSIONS ARE IN MM.				YELLOW/WHITE LINE RIP PIN		
TOLERANCE IS: 2102 (PE 2) MEDIUM						
						PROG. DIRECTOR (O.A.) DRG. No. (a) ADRDE/1322-04 (b) DRD/66/98

5



1-OFF

MATERIAL :- AUSTENITIC STAINLESS  
STEEL SHEET AS PER SPECN No  
IS: 6911-1972

FINISH :- TO BE SMOOTHLY FINISHED  
AND POLISHED BRIGHT.

R.N. DATE ZONE AUTHORITY

BRIEF RECORD

0/1 PGD

DRN *CR*  
CHD  
TRD  
COMPI

DRD  
*JBL*  
0/1 PGD

MATERIAL: AS SPECIFIED  
SPECN IS ABOVE

AD.R.D.E., AGRA

FINISH: AS SPECIFIED  
ABOVE



SCALE :-  
2:1

DIV. HEAD

HEAT TREATMENT

APPROVED.

DIMENSIONS  
ARE IN MM

TOLERANCE  
IS: 2102 (P. 1)  
MEDIUM

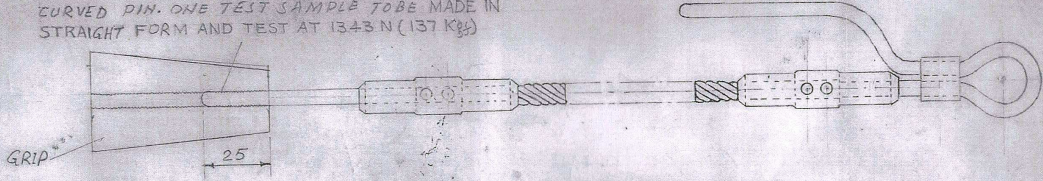
COVER  
YELLOW/WHITE LINE RIP PIN

*[Signature]*  
PROG. DIRECTOR (O.A.)

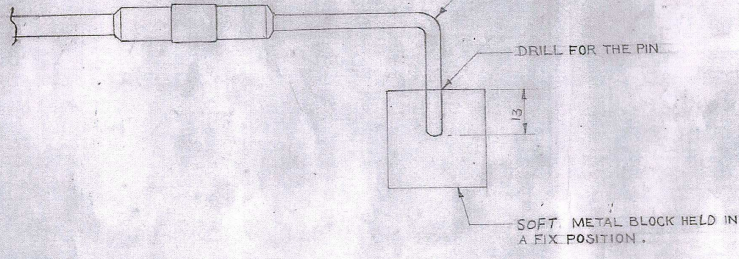
DRG. No.  
ADRDE/1322-05 (a)  
(b)

DRD/GG/98

EACH JOINT AFTER SPLICED WITH-  
STAND A PULL OF 1343N (137kg) FOR TESTING  
CURVED PIN. ONE TEST SAMPLE TO BE MADE IN  
STRAIGHT FORM AND TEST AT 1343N (137 kg)



STRAIGHT PIN WHEN CUT OF SIZE SHALL  
WITH-STAND A LOAD OF 3 kgfas INDICATED  
WITHOUT TAKING A PERMANENT SET.



DATE	ZONE	AUTHORITY	BRIEF RECORD	ZONE	C/PG

DRW: Sd/11	DRD	MATERIAL:-	ADRDE, AGRA
CHK: <i>7/11</i>		FINISH:-	
TRD: <i>d/c</i>	PGD	HEAT TREATMENT:-	APPROVED <i>Am</i>
COMP: <i>d/c</i>	PROJ. OFFR: <i>7/11</i>		PROC DIRECTOR (G.A.)
SCALE:-	DWG HEAD: <i>7/11</i>		DUS III
NTS			APPROVAL
DIMENSIONS (IN mm)	<b>PERFORMANCE TEST</b>		
TOLERANCE	<b>YELLOW/WHITE LINE RIP PIN</b>		

4

3

2

1

SHEET 8 OF 8

F PACKING CLAUSE:-<sup>Δ</sup>

EACH Y/W/LINE RIP PIN SHALL BE PACKED IN A POLYTHENE BAG OF SUITABLE SIZE AND TIED. THE MOUTH OF THE BAG TO BE HEAT - SEALED 20 NOS. THIS SEALED BAG SHALL BE PACKED IN A SUITABLE SIZE OF CARTON 10 NOS. OF SUCH CARTONS SHALL BE PACKED IN A C.W.P (DULY LINED WITH PAPER PACKING WATER PROOF) ONE Y/W/LINE RIP PIN IN EACH CARTON SHALL BE IDENTIFIED BY A LABEL SHOWING CAT. NO, DESIGNATION OF THE STORE AND ALSO THE RECOGNISED INITIALS OF THE - MANUFACTURER. THE PACKING CASE SHALL BE LEGIBLY AND INDELIBLY MARKED WITH THE ADDRESS OF THE CONSIGNEE, CONSIGNOR, CAT. NO, NOMENCLATURE OF THE STORE, THE YEAR OF MANUFACTURE, TOTAL NO OF PACKING CASES AND THE NO. OF INDIVIDUAL PACKING CASE IN A CONSIGNMENT

b		15-12-99	ADRDE/PAS/AEP/ 57/B, DT.13-12-99	PACKING CLAUSE INCLUDED AS SHEET No. 8		Jch	AC	
R.No	DATE	ZONE	AUTHORITY	BRIEF RECORD			OVC D&S	HEAD (Q.A)
SCALE:-		ADRDE, AGRA		DRN	DRN	PROJ. OFFR		
DIMENSION IN mm.		GROUP:		CHD	CHD	GROUP DIR		
TOL.		YELLOW/WHITE LINE RIP PIN		APPROVED				
MATERIAL PROCESS:-				Jch		OVC D&S		
FINISH:-				Jch		HEAD (Q.A)		
HEAT TREATMENT:-				DRG. NO		1322--08		
				PROV NO		DRN/6618		