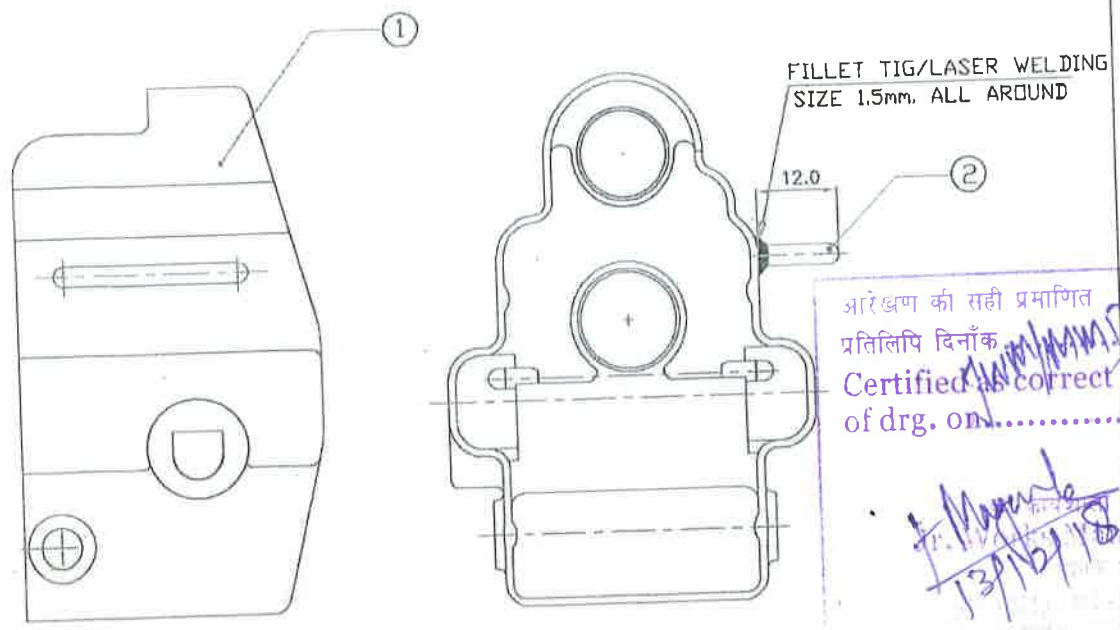


DRG No. 02040302223500100DF

GEN TOL FINE/MEDIUM/COARSE CLASS TO IS:2102

DRG CONVENTIONS CONFIRM TO INDIAN STD DIMM IN mm UNLESS OTHERWISE STATED



अरिखण की सही प्रमाणित प्रतिलिपि दिनांक.....
 Certified as correct copy of drg. on.....
 13/11/18

SR NO	NOMENCLATURE	DRG. NO	QTY
1	CLOSING CUP	0204-03-02-22-35-001-00DF	1
2	LOOP SLING REAR	0204-03-02-22-35-004-00DB	1

3	25/11/15	M-29	DRG REVISED	-	
2	7/3/14	M-21	DRG REVISED	-	
1	17/2/11	M-15	DRG REVISED	-	
S No	DATE	AUTHORITY	BRIEF RECORD	ZONE	CD GO SIGN
DRN	EMJ	CHD	MATERIAL	-----	
APPD	DATE 25/11/15	For Director	PROTECTIVE FINISH	PHOSPHATED TO SPECN. IS:3618-1966, CLASS 'B'	
SEALED DATE	SCALE 1:1	EST MASS	TITLE	CLOSING CUP WELDING	
DESIGN AUTHORITY					

DRG.No. 02040302223500100DF

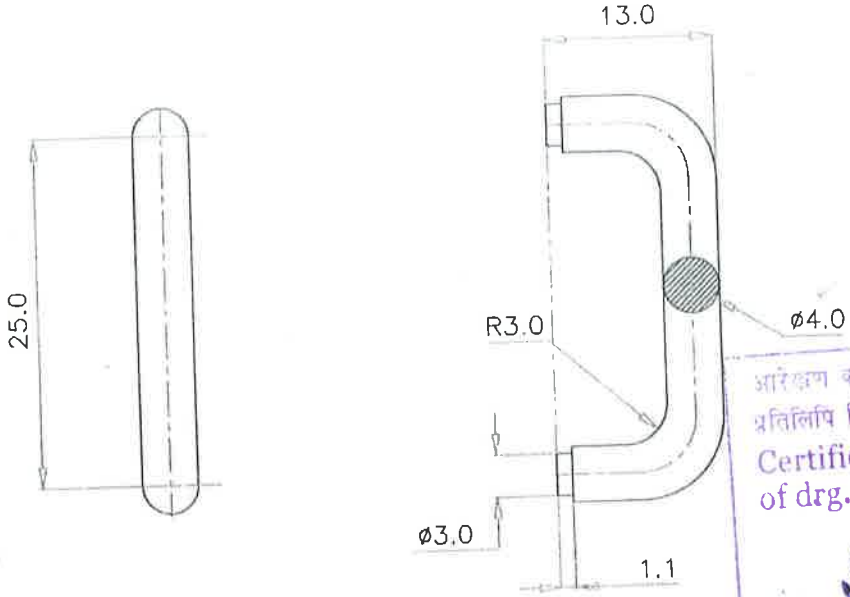
PART No DS CAT No AHSP

DRG.No. 02040302223500400DB
 IC SS S AA A C SST

GEN TOL FINE/MEDIUM/COARSE CLASS TO IS:2102

DRG CONVENTIONS CONFIRM TO INDIAN STD DIMN IN mm UNLESS OTHERWISE STATED

CONTROL COPY No. 1



आरेखन की सही प्रमाणित प्रतिलिपि दिनांक 13/11/2015
 Certified as correct copy of drg. on.....
 13/11/2015
 Manager

NOTE : 1) REMOVE ALL SHARP EDGES AND BURRS
 2) HARDNESS : 250-300 H.V

CONTROL COPY No. 1

Received on 29/11/15

1	9/11/15	M-29	DRG.REVISED	-	Manshet	Jhunj
S No	DATE	AUTHORITY	BRIEF RECORD	ZONE	CD	GO
DRN	RGN	CHD Manshet	MATERIAL :	STTEL TO IS: 5517-1993, Gd-40C8 (En-8)		
APPD	DATE 9/11/2015	For Director	PROTECTIVE FINISH	PHOSPHATED TO SPECN. IS:3618-1966, CLASS 'B'		
SCALE 2:1	EST MASS	TITLE	LOOP SLING REAR			
DESIGN AUTHORITY	ARDE PUNE 411021					
DRG.No.	02040302223500400DB	IC SS S AA A C SST	PART No	DS CAT No	AHSP	

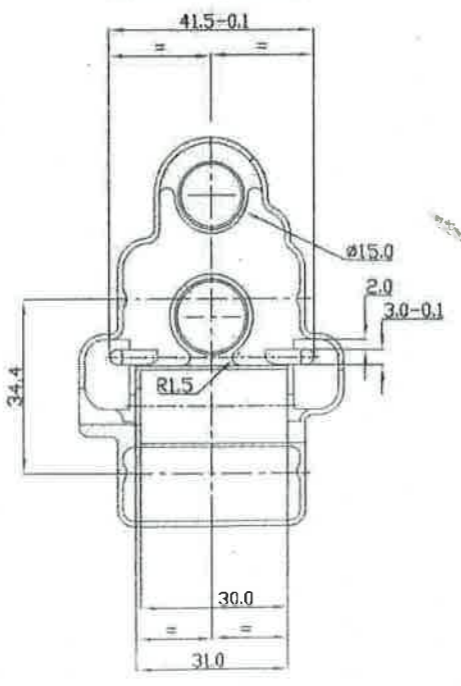
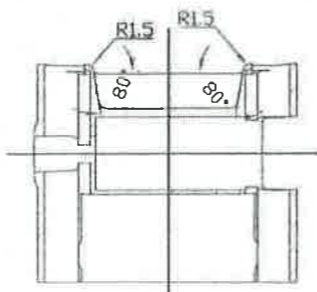
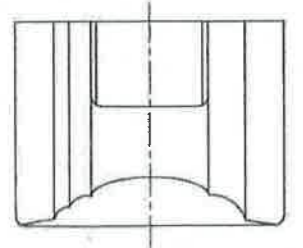
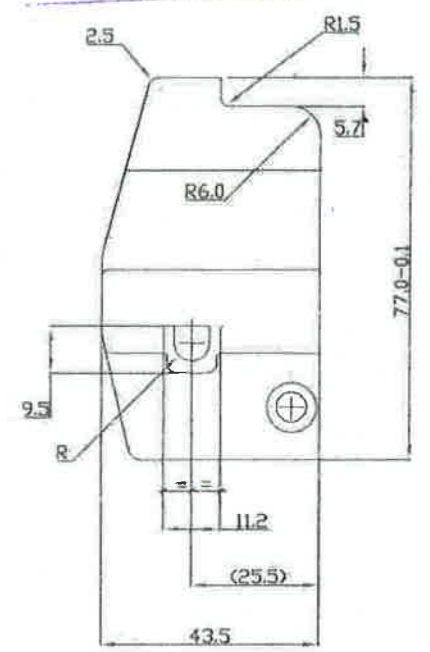
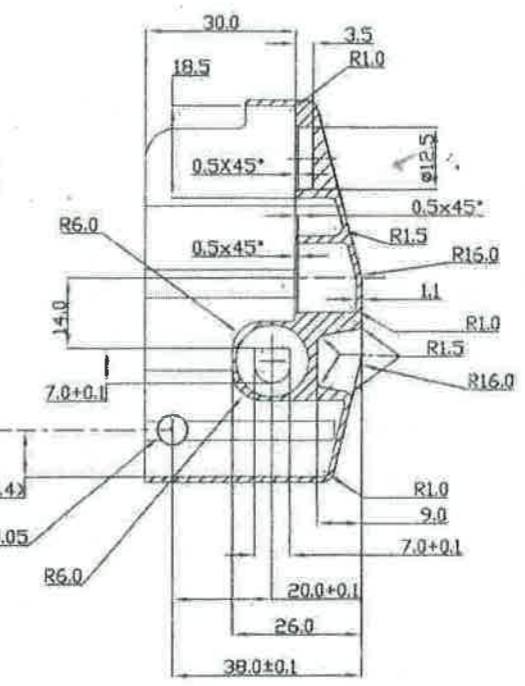
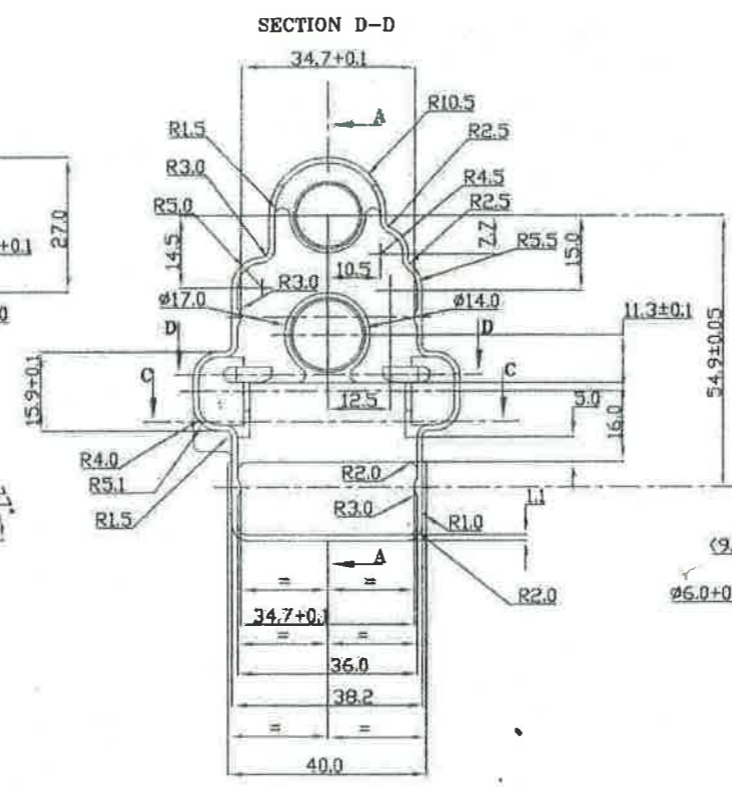
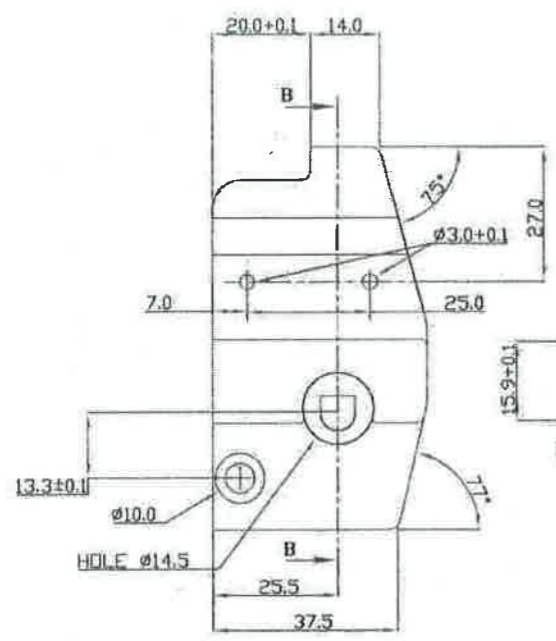
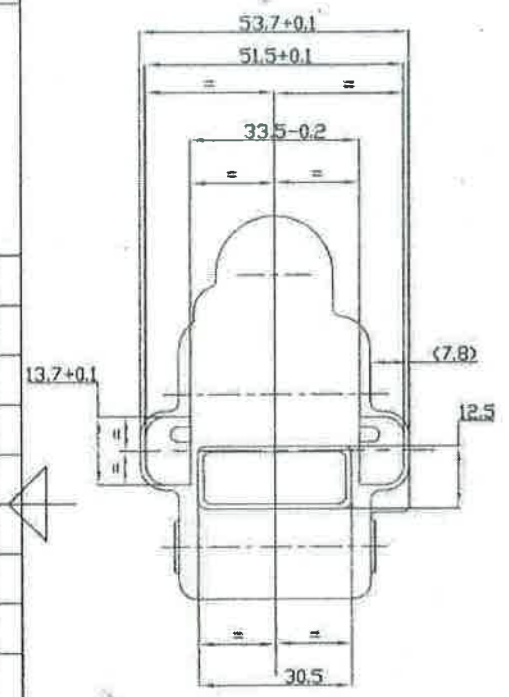
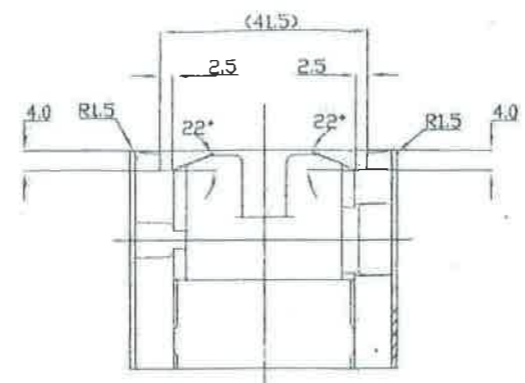
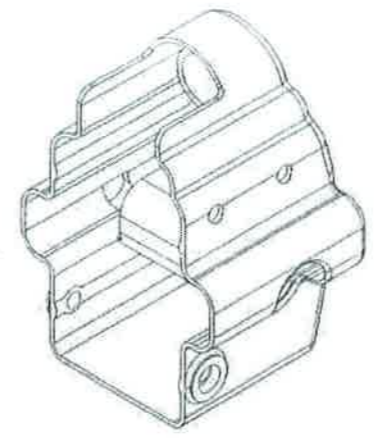
1 2 3 4

DRG. No. 02040302223500100DG
 GEN. TOL. FINE/MEDIUM/COARSE CLASS TO IS:2102
 DRG. CONVENTIONS CONFIRM TO INDIAN STD. DIMM. IN mm UNLESS OTHERWISE STATED

CONTROL COPY No.

NOTES :-
 1) REMOVE ALL SHARP EDGES AND BURRS

प्रमाण की सही प्रमाणित
 प्रतिलिपि दिनांक.....
 Certified as a correct copy
 of drg. on.....
 J. W. Joshi
 Sr. Works Manager
 मानक प्रयोग
 STANDARD CELL



SECTION B-B

SECTION C-C

SECTION A-A

6	13/07/16	M-34	DRG REVISED		
5	09/11/15	M-29	DRG REVISED		
4	05/03/13	M-20	DRG REVISED		
3	25/07/11	M-17	DRG REVISED		
2	06/05/11	M-16	DRG REVISED		
1	21/02/11	M-15	DRG REVISED		
Sr. No.	DATE	AUTHORITY	BRIEF RECORD	ZONE	CD SIGN GD
DRN. PRANAV		CHD	MATERIAL		
APPB.	DATE 13/07/2016	Director	STEEL TO IS :5517-1993, Gd-40CB (En-8)		
SEALED	DATE		PROTECTIVE FINISH		
			PHOSPATED TO SPECN. IS:3618-1966, CLASS 'B'		
SCALE 1:1	EST. MASS		TITLE		
DESIGN AUTHORITY ARDE			CLOSING CUP		
PUNE 411021					
DRG. No. 02040302223500100DG					
PART No.	DS CAT. No.		AHSP		