

DRG CONVENTIONS CONFORM TO IS: 696.  
DIMNS ARE IN mm.  
GEN TOL:- MEDIUM CLASS TO IS: 2102.

DRG No. ARDE 2283  
DET No. 1 SHTS

PART SECTION 'C-C'

Refer to the OM of  
Dm Dm  
Certified Suitable to quick Manufacture  
Inspected  
Date: 08/09/18  
Signature: [Signature]  
Rank: [Rank]  
S No.  
Directorate General of Aeronautical Quality Assurance.

SECTION 'B-B'

JOINT TO BE LAPPED AND SEAM WELDED WITH EACH  
END OF JOINT MASH SEAM WELDED AS SHOWN.  
5 mm SEAM JOINT MUST BE WATERTIGHT.

NOTES:-

- 1) BODY MAY BE MADE IN ONE OR TWO PIECES.
- 2) ALL WELDING SYMBOLS SHOULD BE AS PER SPEC: IS: 813
- 3) WELDING TO CONFORM TO IS: 9595

MATL:-

MILD STEEL 1.25 mm THICK SPEC. STEEL TO IS: 513:2008 DESIGNATION CR 2

PROTECTIVE TREATMENT:-

PHOSPHATING TO SPEC: IS. 3618, CLASS B

4 SLOTS ONE AT EACH CORNER  
AS SHOWN. (FOR DRAINAGE)

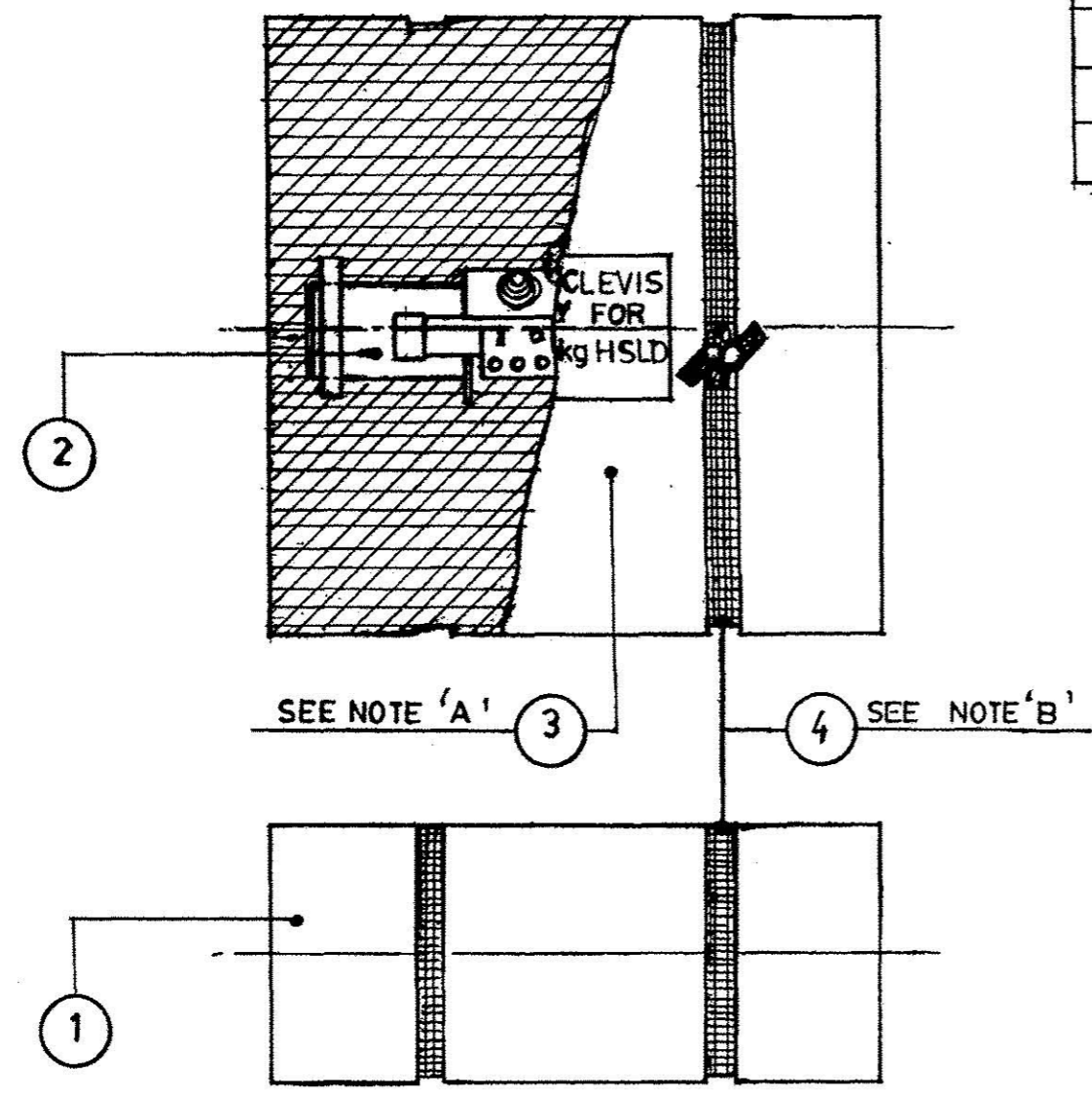
BODY

DRN: Swesh/CHD	TRD	ICOMP	ASSY DRG: ARDE 2283.SHT 3
CD	PASSED	SCALE 1:2	DESIGN AUTHORITY
APPROVED	EST MASS:	GAUGE SCHO	ARDE PUNE-21
CD GO	FOR DIRECTOR	DATE: 20.6.96	
R No	DATE	AUTHORITY	DRG No
BRILF RECORD	ZONE	SIGN	ARDE 2283
DRG SEALED (PROV)	01 May 96	CRE(AA)	DET No: 1 SHTS
			SHT No
			PART No
			D.S. CAT. No
			AHSP

DRG. No. **ARDE 2283**  
 DET. No. **2**  
 SHTS. **2**  
 PART No. **2**

DRAWING CONVENTIONS CONFORM TO IS : 896  
 DIMNS ARE IN m.m. UNLESS OTHERWISE STATED  
 GEN. TOL. **0.15**/COARSE/**0.25** CLASS TO IS : 2102

ITEM NO	DESCRIPTIONS	DRG NO	DET NO	PART NO	NO OFF
1	PIECE HOUSING	ARDE 2283	16	—	2
2	HOUSING BLOCK & CLEVIS UNIT ASSY	ARDE 1947	1	—	1
3	LABEL	ARDE 2283	1	—	1
4	LIFTING BAND	—	—	—	2



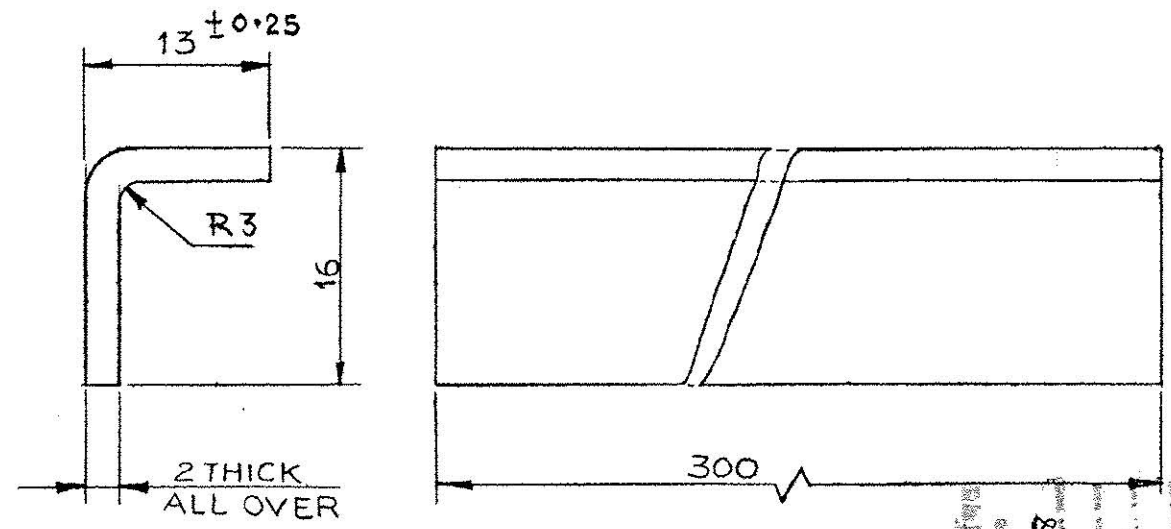
**NOTES -**  
 (A) ITEM NO. (3) LABEL TO BE AFFIXED ON TOP TO ITEM NO. (1) WITH APPROVED ADHESIVE AS SHOWN.  
 (B) TAPE COTTON 25 mm WIDEX 1400 mm LONG TO SPEC - IND/TC/0318 (h) TO BE KNOTTED AS SHOWN

*Done to the Cm, O.P., Dum Dum*  
 Certified Suitable to quick Manufacture  
 Inspected  
 Date: 06/09/18  
 Signature: *[Signature]*  
 Rank: Foreman  
 Director's General of Aeronautical Quality Assurance

DRN. SMP	CHD.	TRD.	COMP.	ASSY DRG. ARDE 2283, SHT. 2					
CD	PASSED	SCALE : 1:5	DESIGN AUTHORITY	ARDE PUNE - 411 021					
APPROVED <i>[Signature]</i>	FOR DIRECTOR	EST MASS :	GAUGE SCHD :						
R. NO.	DATE :	AUTHORITY	BRIEF RECORD	ZONE	CD	GO	MATL :	DATE : 28.6.96	
DRG SEALED (PROV)	01 NOV 96	CRE (AA)	PROTECTIVE FINISH :	DRG. No.	ARDE 2283		DET. No. 2	SHTS.	
PART No.				D.S.CAT.No.		A.H.S.P.			

**TITLE: METHOD OF PACKING FOR:—**  
**PIECE HOUSING TO HOLD 1 HOUSING BLOCK & CLEVIS UNIT ASSY**  
**FOR BOMB .450 Kg H.S.L.D.**

1	2		3	4
PART no.		DRAWING CONVENTIONS CONFORM TO IS : 696 DIMNS ARE IN m.m. UNLESS OTHERWISE STATED		
SHTS. No.	SHTS.	DET.No. 3	GEN. TOL. MEDIUM CLASS TO IS 2102	
DRG. No.		ARDE 2283		



MATL :- STEEL TO IS:513:2008 DESIGNATION CR 2

PROTECTIVE TREATMENT  
PHOSPHATING TO IS:3618 CLASS 'B'

*Issue to the Q.M.  
O.P. Dhan Dum*  
 06/09/18  
 Signature: [Signature]  
 Rank: [Rank]  
 Date: [Date]

1	31.10.17	RCMA(AA)1434/3/11.9.17	DRG.AMENDED VIDE AL. NO.21/2017	MATL.	[Signature]	[Signature]
R. NO.	DATE :	AUTHORITY	BRIEF RECORD	ZONE	CD	GO
				SIGN		

DRG. SEALED (PROV)		<i>For in Dhan</i>		01 Nov 96		CRE (AA)	
DRN. S.L.L	CHD. [Signature]	TRD.	COMP.	ASSY. DRG. ARDE. 2283, SHT 3			
CD	PASSED [Signature]	SCALE : 2:1		DESIGN AUTHORITY			
APPROVED	[Signature]	EST. MASS:		ARDE PUNE-411 021			
FOR DIRECTOR		GAUGE SCHD :					
DATE : 28-5-96		DATE : 28-5-96					
MATL : AS ABOVE				DRG. No. ARDE 2283			
PROTECTIVE FINISH : AS ABOVE				DET. No. 3	SHTS.	SHT. No.	
TITLE : BRACKET				PART No.			
				D.S.CAT.No.			
				A.H.S.P.			