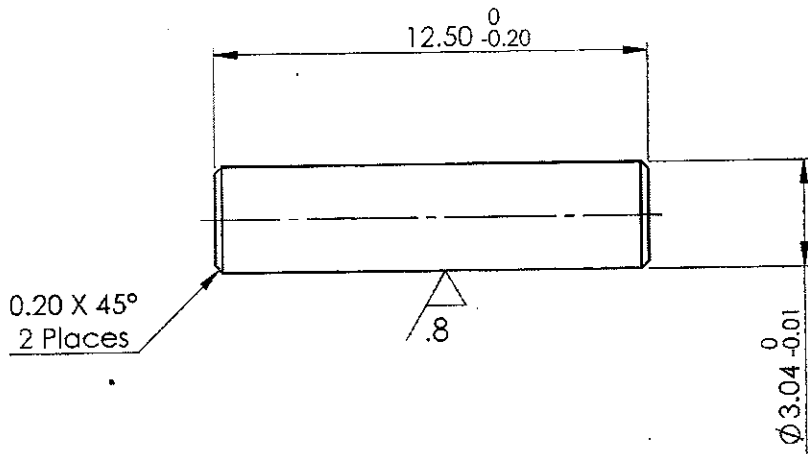
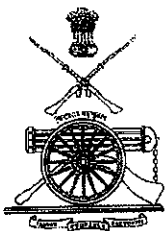


DRG. NO.

DIMENSIONS ARE IN mm.  
UNTOLERATED DIMNS. AS PER IS : 2102 (MED)  
MARK DRAWING No.



CERTIFIED CORRECT COPY  
OF APPROVED DRAWINGS  
AT THIS DATE: 16/5/18

UN CONTROLLED COPY

Design & Drawing Office  
Ordnance Factory,  
Tiruchirappalli-620016

Material :  
Steel

BS:970 Pt.1 1983 Gr.708 M40 (or) EN19  
BS:970 Pt.1 1983 Gr.709 M40 (or) EN19A  
BS:970 Pt.1 1983 Sec.3 Gr.080 M40 (or) EN8, 8A,8B, 8C,8D  
BS:970 Pt.1 1983 Sec.3 Gr.070 M55 (or) EN9

Hardness: 340-400 HV

Protective Finish :  
Accelerated Phospating to Specn.  
JSS: 0465-01-1994 Class II Oil Finish

			SIGNATURE & DATE.	SUB: <b>Pin Front Sight Block, Gas Port Block</b> FOR: Receiver Assy OF: TRICHY ASSAULT RIFLE DES. REF. NO. K-1211	SCALE NTS
		TRACED			QPG 4
		DRAWN			Weight (g) 0.70
		CHECKED		DRG. No.: TAR-K-1211	SHEETS: 1
		OIC/D&DO	<i>P. T. S.</i>	ORDNANCE FACTORY TIRUCHIRAPPALLI-16.	SHEET No.: 1
		OFFICER/ PRODN.			
AMENDMENTS	SIG. & DATE	APPROVED ON. 20/03/2018			