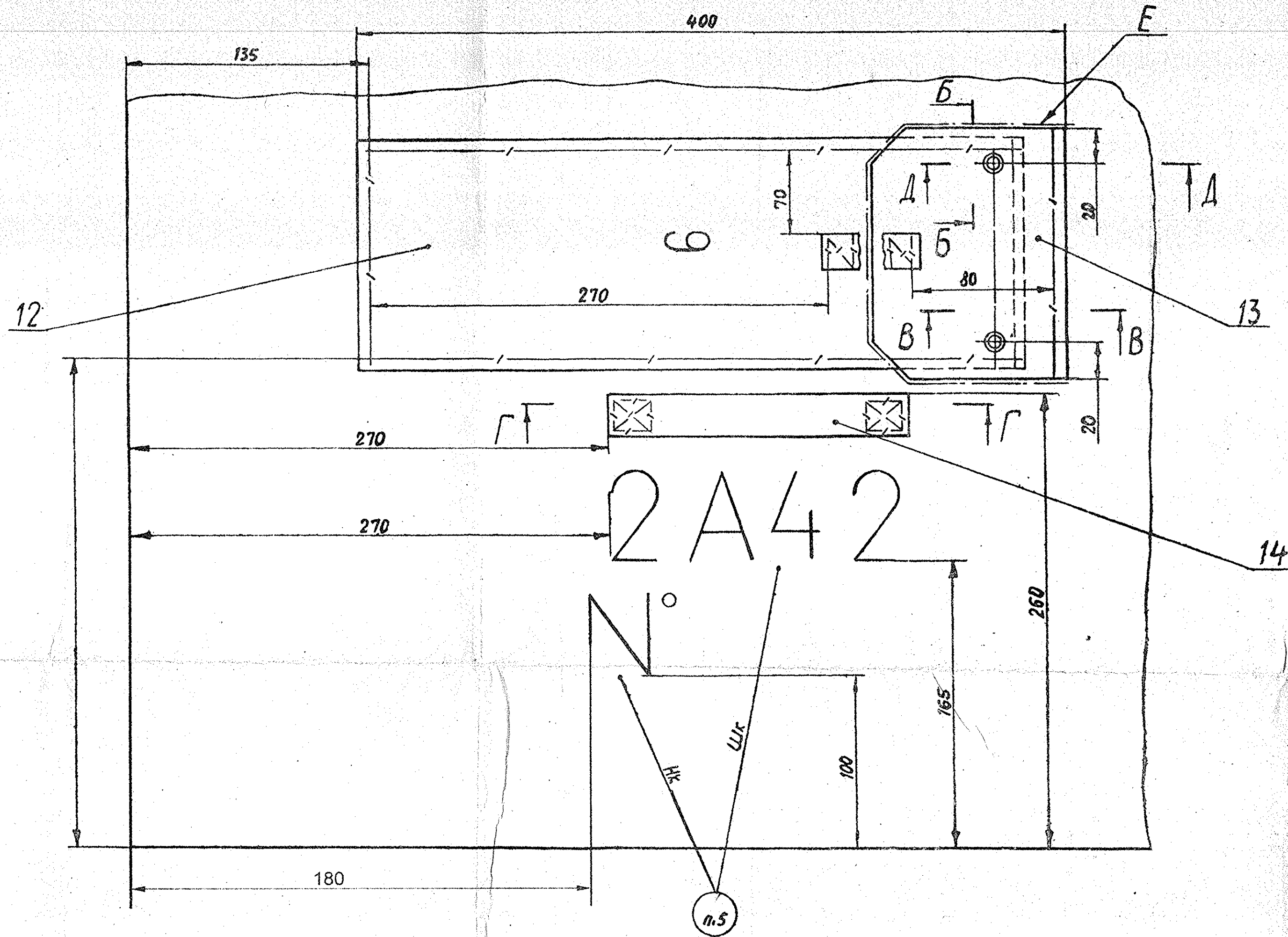
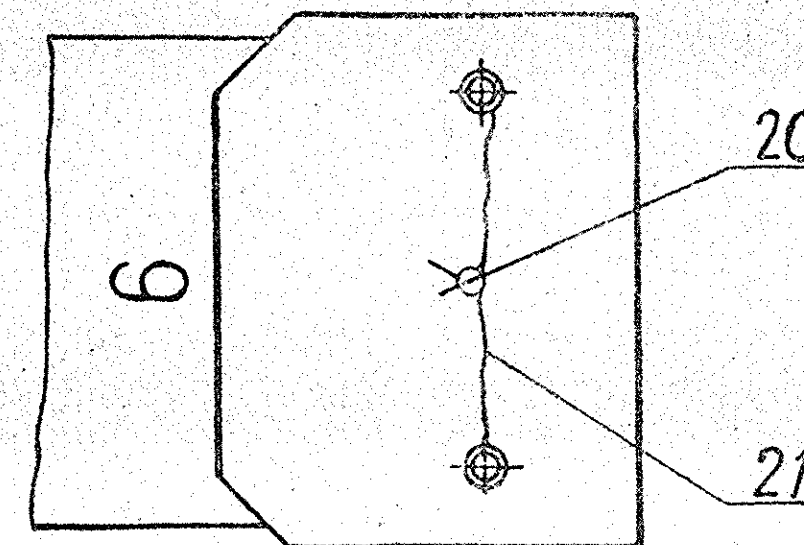


PART No. 2A42.11.000 C5
2 SHTS SHEET 2

VIEW A
SHEET 1



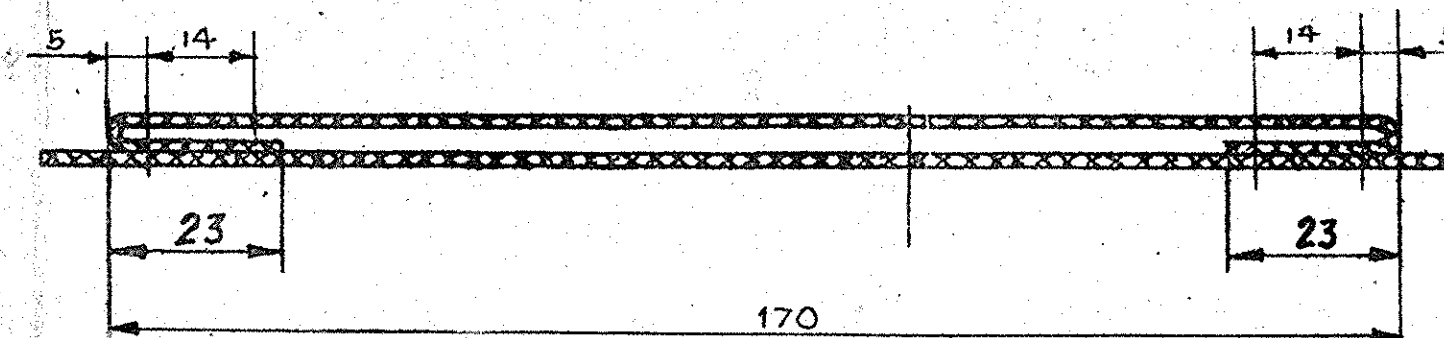
SEALING DIAGRAM OF POCKET No. 9



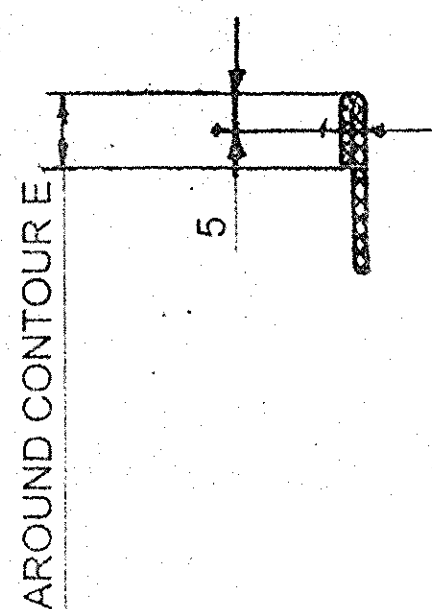
⑨ STOWAGE DIAGRAM OF SPTA SET IN BAG.

1. Pocket No.
2. Designation
3. Description
4. Return spring
5. Appliance for holding recoiling parts
6. Firing pin
7. Wire pin
8. Valve
9. Locking ring
10. Pin
11. Plunger
12. Spring
13. Spring
14. Spring
15. Spring
16. Spring
17. Spring
18. Spring
19. Detent
20. Lockpin
21. Lockpin
22. Lockpin
23. Lockpin
24. Lockpin
25. Cartridge catch
26. Brush, FOCT B 18651-73
27. Elbow brush, FOCT B 18646-73
28. Appliance for assembly of side positioners.
29. Drift 3x50, FOCT B 18655-73
30. Drift 4x60, FOCT B 18655-73
31. Drift Ø5
32. Rod
33. Hammer
34. File 2820-0013, FOCT 1465-80
35. Drift 7x120, FOCT B 18655-73
36. Wiper, FOCT B 18647-73
37. Ejector
38. Appliance for removal of contactor
39. Disconnecter
40. Plug
41. Hook, FOCT B 18652-73
42. Screwdriver 1-1-300, FOCT B 18650-73

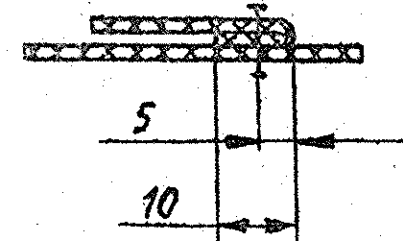
SCALE 1:1



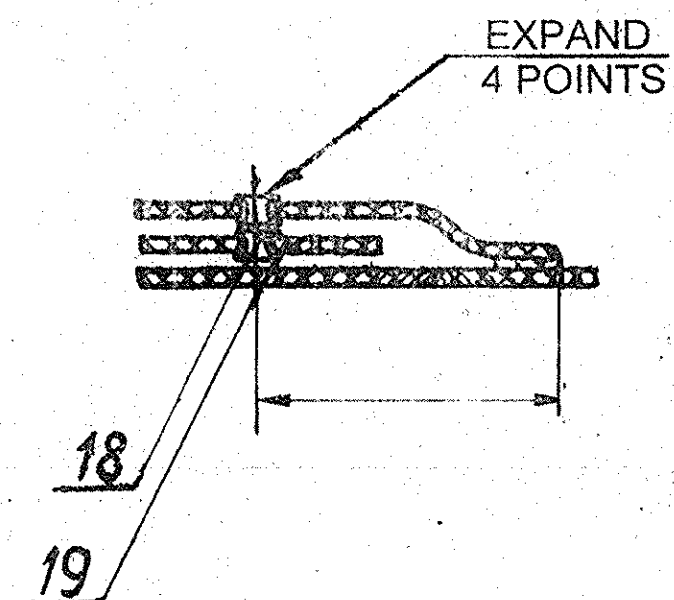
B-B
SCALE 1:1



B-B
SCALE 1:1



A-A
SCALE 1:1



AMENDMENT NOTICE No.
2A42-1074T-88 Dtd.11-12-87 (P-3 / 2869)

e/3

DRAWN:-		CHD:-	ASSY DRG:-	CQA(W), JABALPUR
SCANNED- PKA		CHD- <i>PKA</i>	DATE:-	
30-8-06	SCANNED & PRINTED WITHOUT CHANGE	<i>PKA</i>	SCALE:-	DESIGN No.
DATE	AUTHORITY	ZONE	AMENDMENTS	
PREV DC Nos:- 16407-W, 17220-W & 18174-W Dt. 22-09-95		SIG AHSP	SIG DO	MATERIAL:-
DRG SEALED:- 18174-W Dt. 22-09-95		PROTECTIVE FINISH:-		PART No. 2A42.11.000 C5 2 SHTS SHEET 2
		DO CQA(W)		DS CAT No.

SPTA BAG ASSY. DRG.