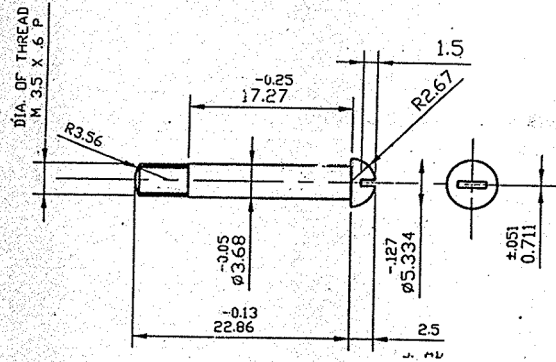


DRG. NO. SP-55

DIMENSIONS ARE IN mm.
INFORMATION MARKED THUS ' ± ' TO BE MARKED ON
UNTOLERATED DIMENSIONS AS PER IS. 2102 (MEDIUM)



M3.5 X .6 PITCH

NOTE :- HEAD OF SCREW TO BE POLISHED BE FORE HARDENING OR PHOSPHATING

MATERIAL :- STEEL BS 970 PT.1-1983 GR.045 M-10 (CASE HARDENING)

HARDNESS:- 300-400 H.V

PROTECTIVE FINISH :- PHOSPHATE TO SPECN.WPN/GEN/3 CLASS I OIL FINISH

PART NO.	DESCRIPTIONS	NO OFF	MATERIAL	TREATMENT	REMARKS																					
	<table border="1"> <tr> <td rowspan="5"> </td> <td>SIGNATURE & DATE</td> <td>SUB: SCREW</td> <td colspan="2">SCALE</td> </tr> <tr> <td>TRACED</td> <td>FOR: GUARD TRIGGER BACK</td> <td colspan="2">2:1</td> </tr> <tr> <td>DRAWN</td> <td>OF: .315" SPORTING RIFLE</td> <td colspan="2">STORE DRG. NO.</td> </tr> <tr> <td>CHECKED</td> <td>DES. REF. NO: SP-55 DS CAT No.5305-005021</td> <td colspan="2">OPERATION NO.</td> </tr> <tr> <td>VOIC/D&DO</td> <td>DRG. NO: 29P 0055</td> <td colspan="2"></td> </tr> </table>		SIGNATURE & DATE	SUB: SCREW	SCALE		TRACED	FOR: GUARD TRIGGER BACK	2:1		DRAWN	OF: .315" SPORTING RIFLE	STORE DRG. NO.		CHECKED	DES. REF. NO: SP-55 DS CAT No.5305-005021	OPERATION NO.		VOIC/D&DO	DRG. NO: 29P 0055						
	SIGNATURE & DATE		SUB: SCREW	SCALE																						
	TRACED		FOR: GUARD TRIGGER BACK	2:1																						
	DRAWN		OF: .315" SPORTING RIFLE	STORE DRG. NO.																						
	CHECKED		DES. REF. NO: SP-55 DS CAT No.5305-005021	OPERATION NO.																						
	VOIC/D&DO	DRG. NO: 29P 0055																								
AMENDMENTS	SIG. & DATE APPROVED ON:				<table border="1"> <tr> <td rowspan="2"> </td> <td>ORDNANCE FACTORY</td> <td>SHEETS:</td> </tr> <tr> <td>TIRUCHIRAPALLI-16.</td> <td>SHEET NO:</td> </tr> </table>		ORDNANCE FACTORY	SHEETS:	TIRUCHIRAPALLI-16.	SHEET NO:																
	ORDNANCE FACTORY	SHEETS:																								
	TIRUCHIRAPALLI-16.	SHEET NO:																								