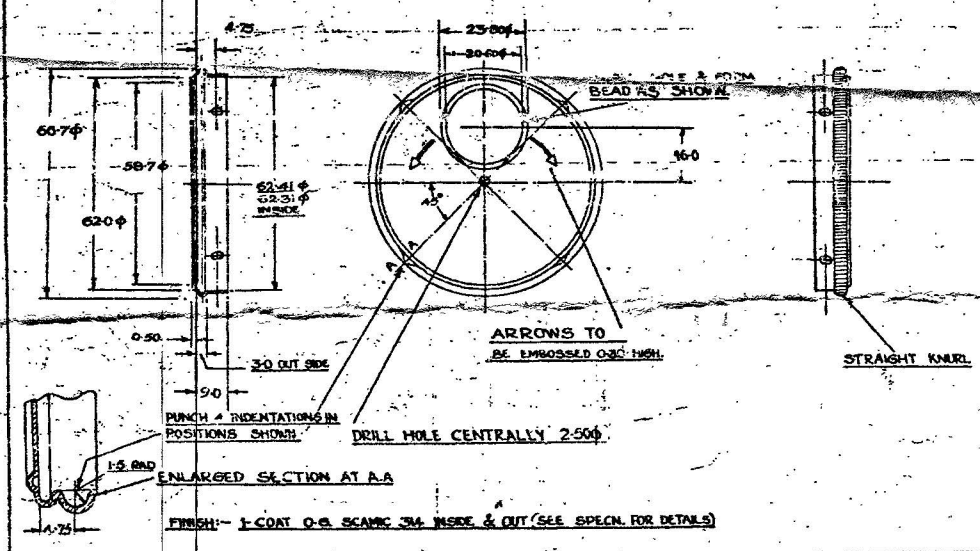
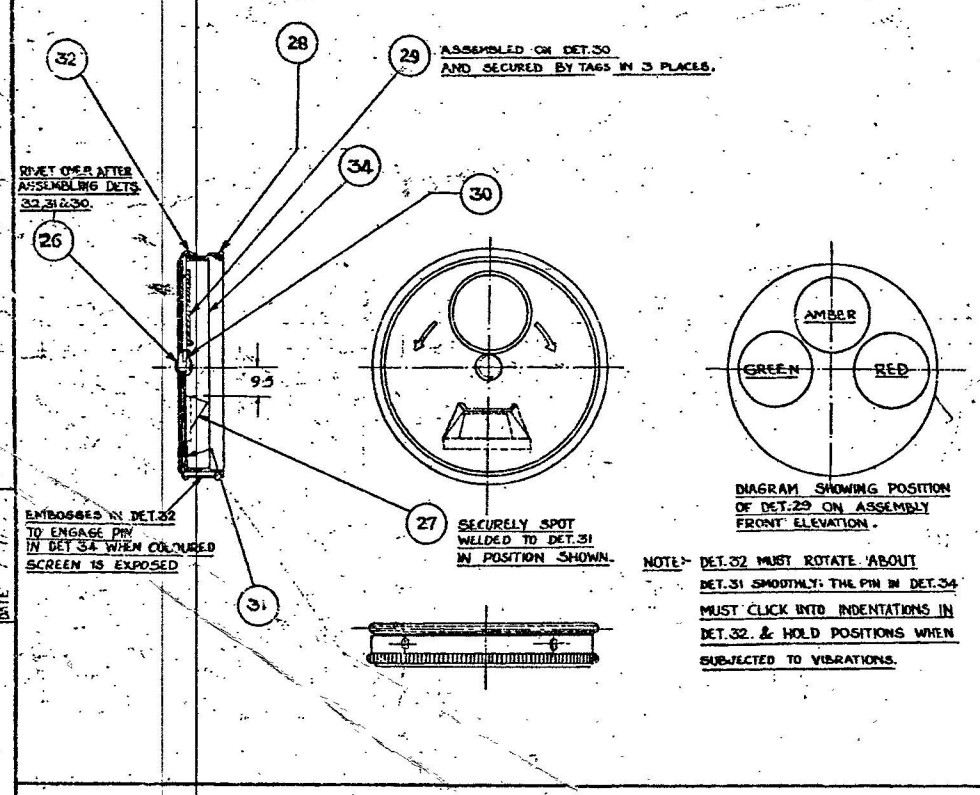


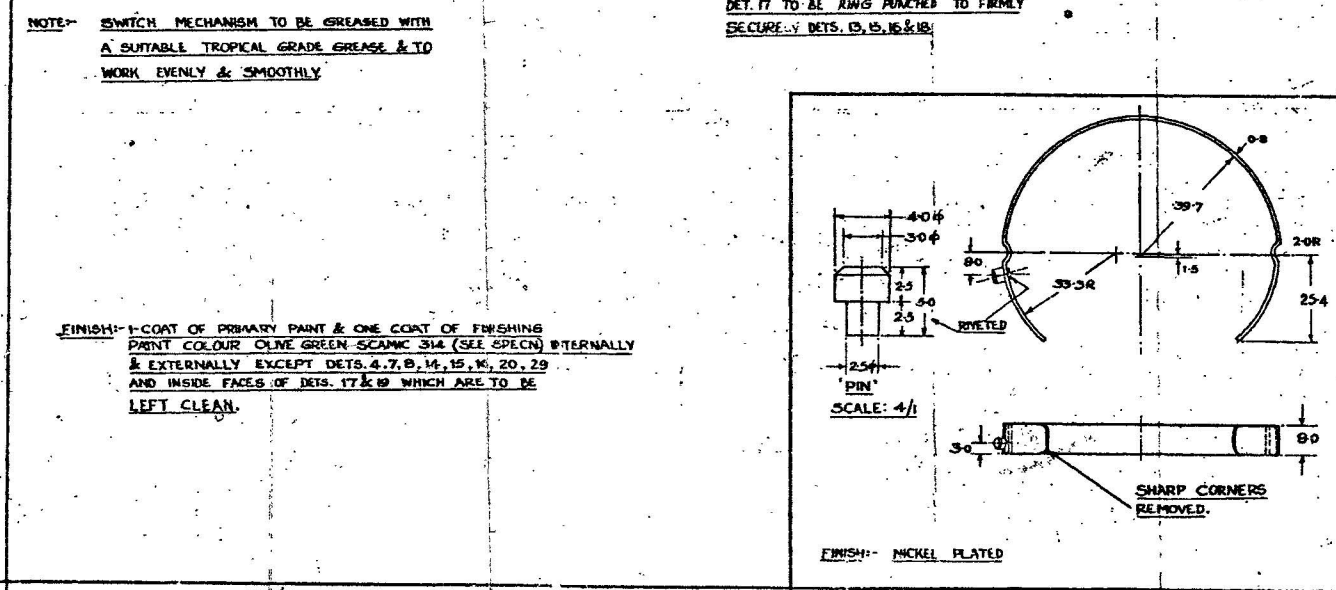
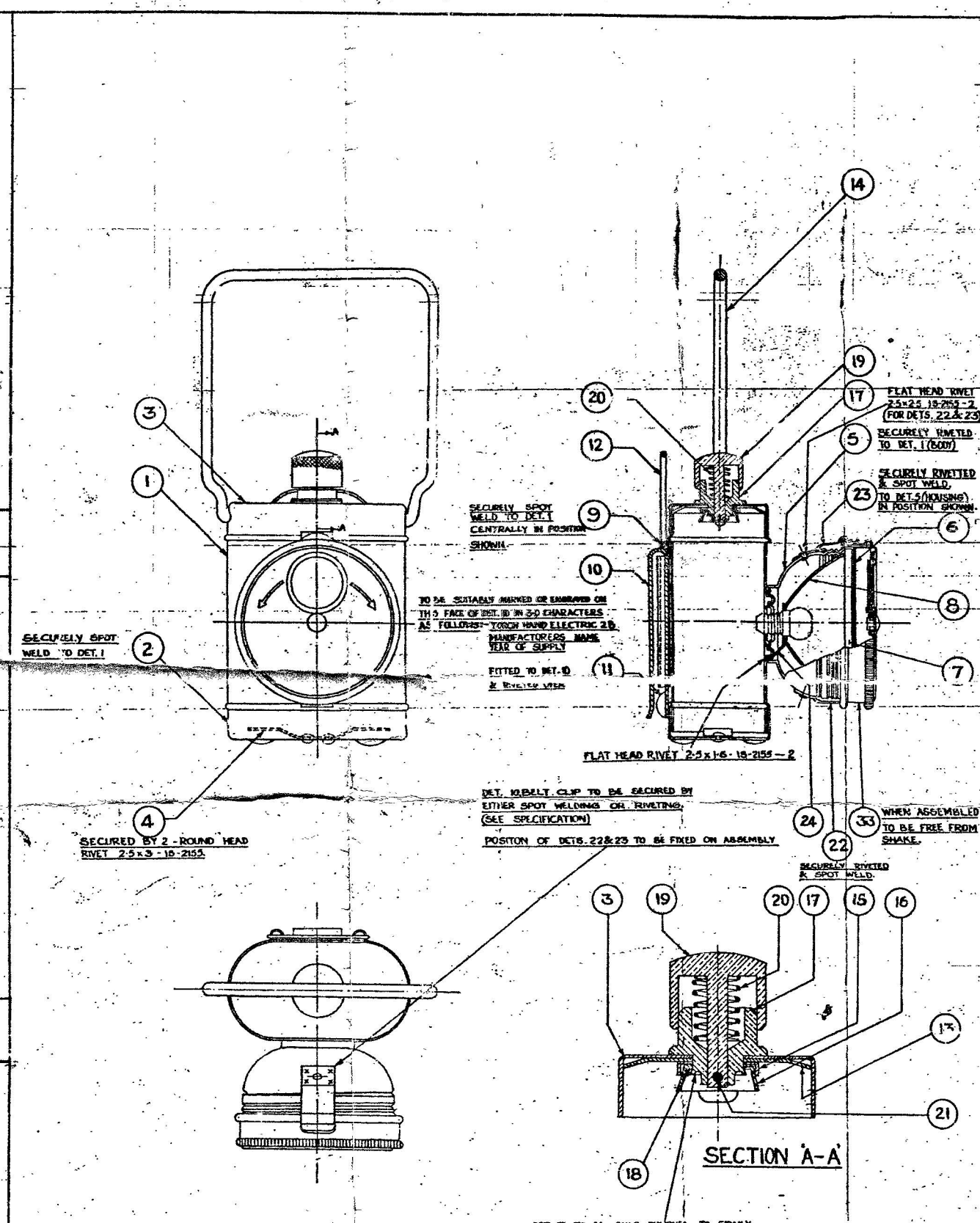
DET.31 COLOUR PLATE BRASS 0.500 1-OFF/SET.



DET.32 ROTATING APERTURE PLATE BRASS 0.500 1-OFF/SET



DET.33 COLOUR HEAD COMPLETE 1-OFF/SET



DET.34 SPRING WITH PIN HARD ROLLED BRASS NICKEL SILVER OR SPRING STEEL (HARDENED & TEMPERED) 1-OFF/SET

PART LIST						
DET NO.	NO. USED OFF	USED ON	DESCRIPTION	MATERIAL	FINISH	REMARKS.
1	1		BODY	BRASS 0.400 THK.	CLEAN	
2	1	1	BOTTOM CAP	BRASS 0.400 THK.	DO	
3	1	1	TOP CAP	BRASS 0.400 THK.	DO	
4	1	2	SPRING	SPRING STEEL 0.620TH	BLUED	RUSTLESS
5	1	1	HOUSING	BRASS 0.400 THK.	CLEAN	
6		5	WINDOW RING	BRASS 0.400 THK.	DO	
7	1	25/6	WINDOW	PN APPROVED GLASS SUBSTITUTE	DO	
8	1	5	REFLECTOR	BRASS 0.355 THK.	SILVER PLATED	
9	1	1	BELT CLIP BRACKET	BRASS 0.500 THK.	CLEAN	
10	1	8	BELT CLIP	BRASS 3-254 THK.	CLEAN	
11	1	10	BELT STOP	BRASS	DO	
12	1	5	BUTTON CLIP	BRASS 2-00	DO	
13	1	3	CONTACT STRIP	BRASS 0.400 THK.	NICKEL PLATE DULL	
14	1	13	HANDLE	HARD DRAWN STEEL WIRE	N.P.D.	
15	1	15/7	SWITCH TRAY	H.D. BRASS 0.250 THK.	NICKEL PLATE DULL	
16	1	15/7	SWITCH FIBRE	BLACK FIBRE 0.600TH	CLEAN	
17	1	3	SWITCH BUSH	BRASS	CLEAN	
18	1	17/7	SWITCH PUSH	BRASS 0.400	NICKEL PLATE DULL	
19	1	7	SWITCH PUSH	BRASS	CLEAN	
20	1	19	SPRING	SPRING STEEL WIRE	APPROVED RUSTPROOF	
21	1	19	SWITCH PIN	BRASS	CLEANED	
22	1	5/2B	HINGE	BRASS	CLEAN	
23	1	5	CATCH	H.D. BRASS 0.700 THK.	CLEAN	
24	1	5	LOCKING RING	BRASS 0.400 THK.	NICKEL PLATE DULL	
26	1	31/32	RIVET	BRASS	CLEAN	
27	1	31	SHIELD	BRASS 0.500 THK.	CLEAN	
28	1	31	WIRE RING	STEEL WIRE 1.60 Ø	CLEANED	
29	1-OFF	31	COLOURED SCREEN	NON IN-FLAM CELLULOID	SEE DRG. FOR COLOURS.	SEE SPECIFICATION
30	1	26	WASHER	BRASS 0.500 THK.	CLEANED	
31	1	33	COLOUR PLATE	BRASS 0.500 THK.	1 COAT O.G. SCAMIC 314 INSIDE & OUTSIDE	SEE SPECIFICATION FOR DETAILS OF FINISH
32	1	33	ROTATING APERTURE PLATE	BRASS 0.500 THK.	DO	DO
33	1		ASSEMBLY COLOUR HEAD	COMPLETE		
34	1	32	SPRING WITH PIN	HARD ROLLED BRASS NICKEL SILVER OR SPRING STEEL (HARDENED & TEMPERED)	NICKEL PLATED	

BASED ON DRAWING TO BE REVISIONS

FOR CONTROLLER

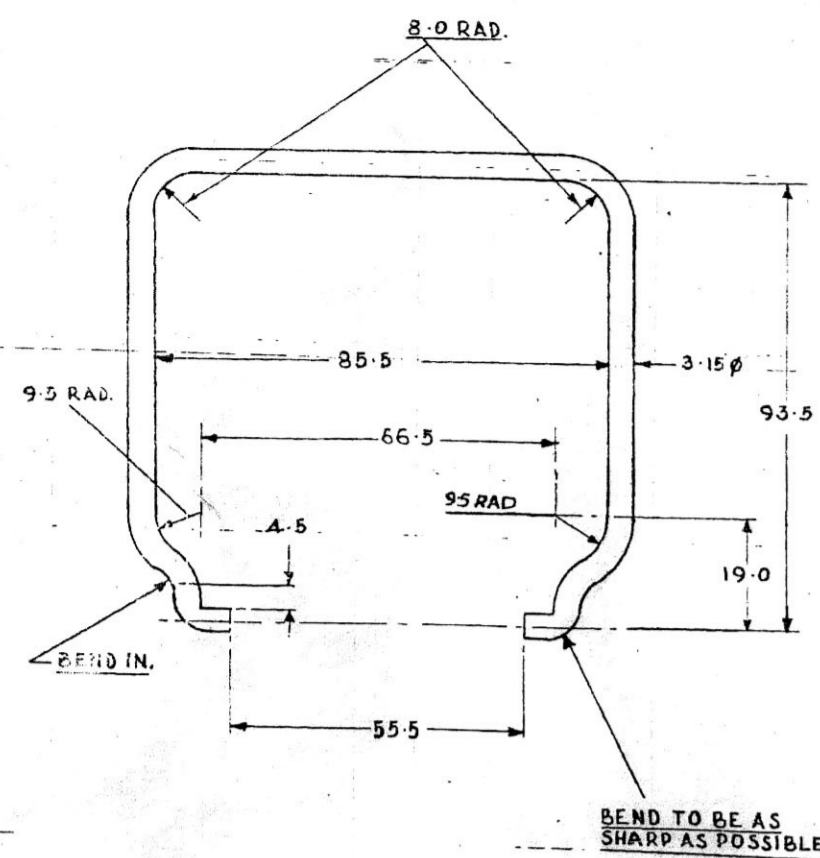
DATE

APP'D BY

प्रमाणित प्रतिनिधि के रूप में
 Certificate as correct copy of drg. on.....
 स. कर्ममाला प्रबन्धक
 It Works Manager
 अधिकृत कार्यालय
 Desin. Office

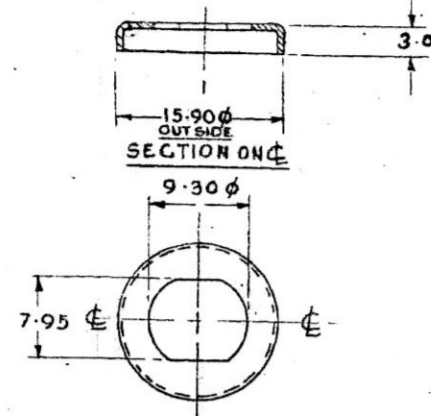
LANTERN ELECTRIC, 1A, I.R.E.S.
 (DETAILS, ASSEMBLY & PART LIST)
 CAT. NO. Y36230-000012
 DRAWN BY Sd/- TRACED BY Sd/- CHECKED BY Sd/-
 RE-TRACED AT U.S.S. BY Sd/-
 APPROVED BY Sd/-
 DATE 19.42
 COL. III
 3
 CHIEF INSPECTOR, ENGINEER & SIGNALS STORES.

BASED ON DWG NO. IRESIM/4766/III/2



MATL: HARD DRAWN STEEL WIRE.
FINISH: N.P.D.

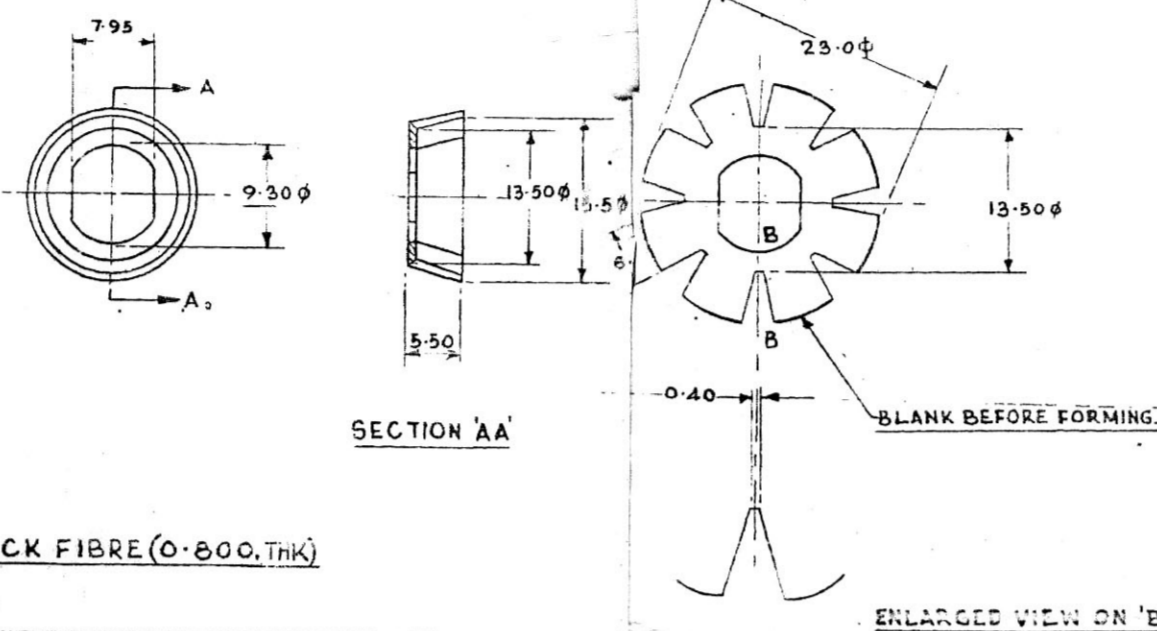
DET. 14 HANDLE 1-OFF/SET



MATL: H.D. BRASS (0.280 THK)
FINISH: N.P.D.

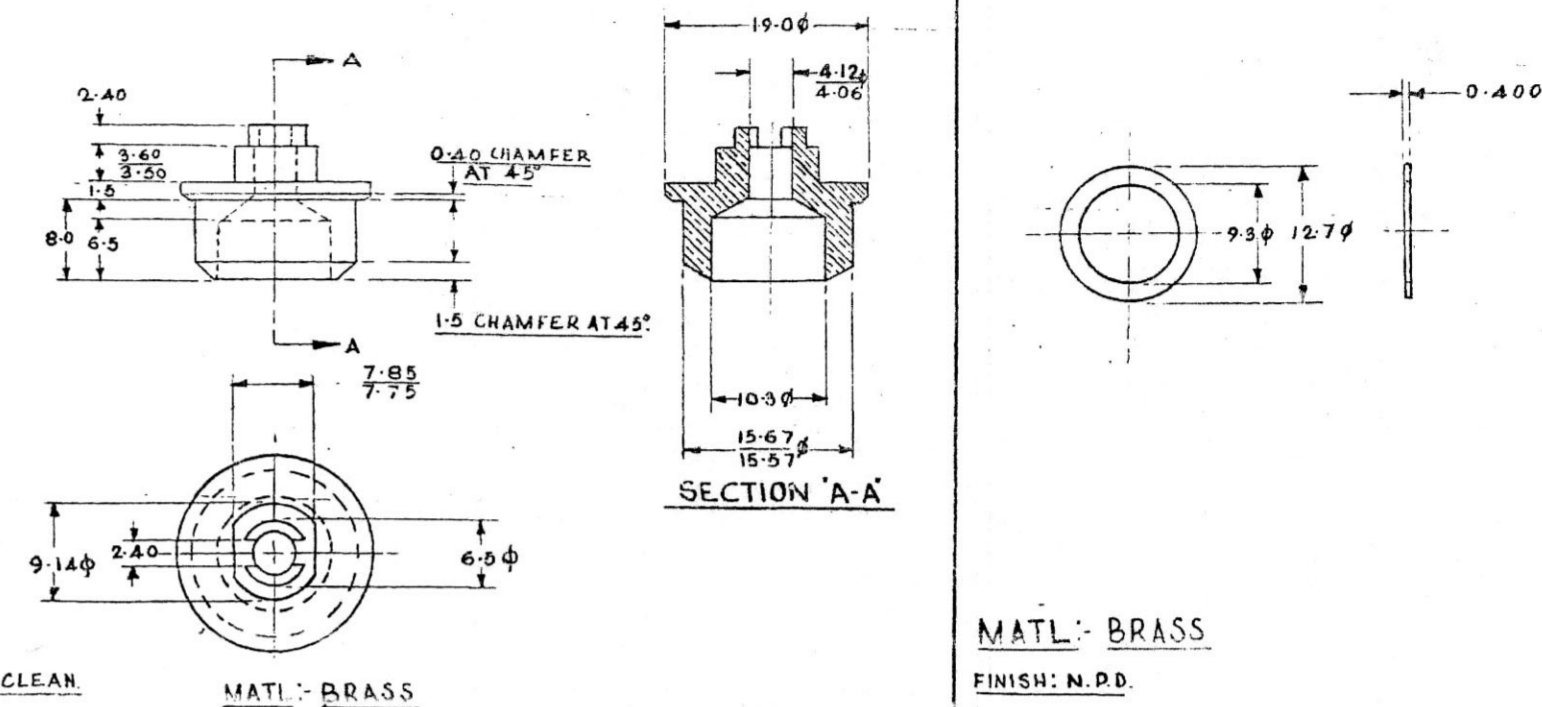
DET. 15 SWITCH TRAY 1-OFF/SET

NOTE: ALL DIMENSIONS ARE IN MILLIMETRES



MATL: BLACK FIBRE (0.800 THK)
FINISH: CLEAN

DET. 16 SWITCH FIBRE 1-OFF/SET

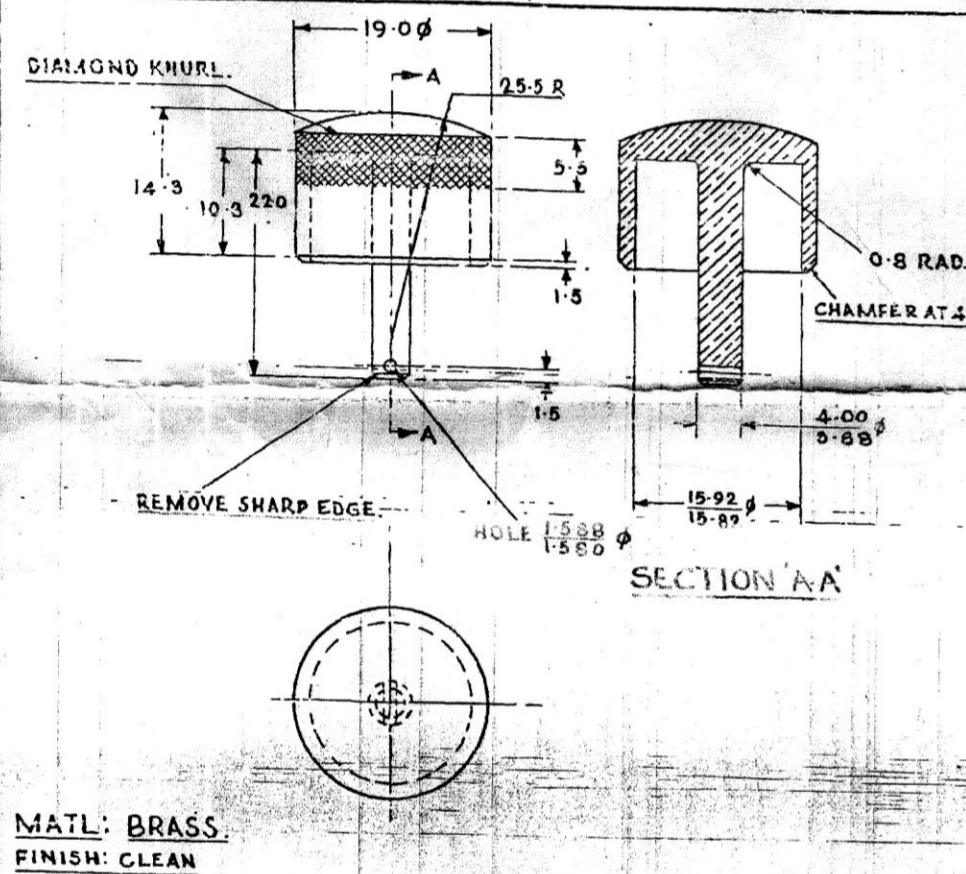


MATL: BRASS
FINISH: CLEAN

DET. 17 SWITCH BUSH 1-OFF/SET

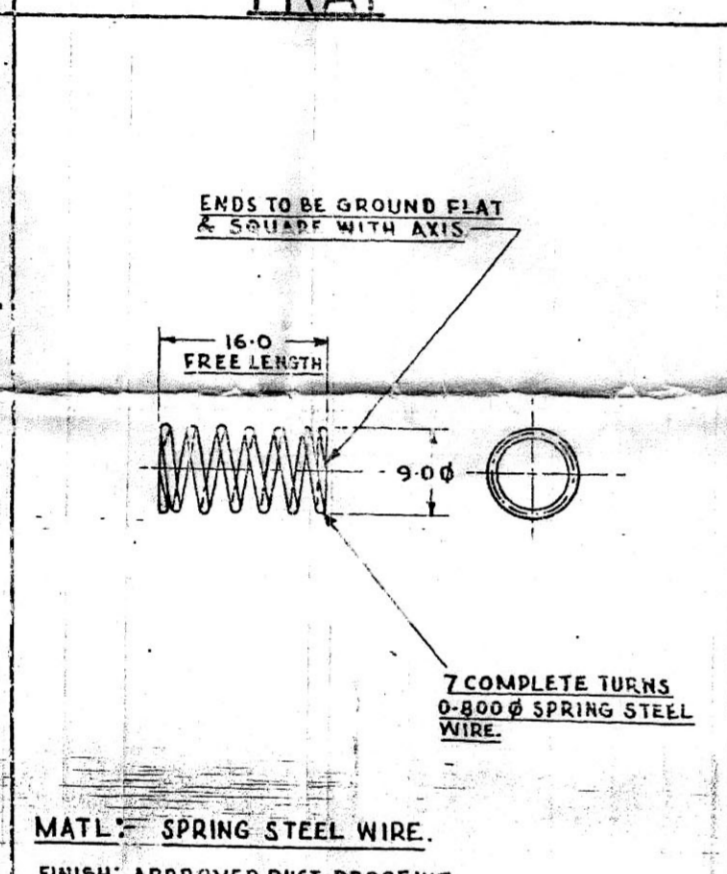
MATL: BRASS
FINISH: N.P.D.

DET. 18 WASHER 1-OFF/SET



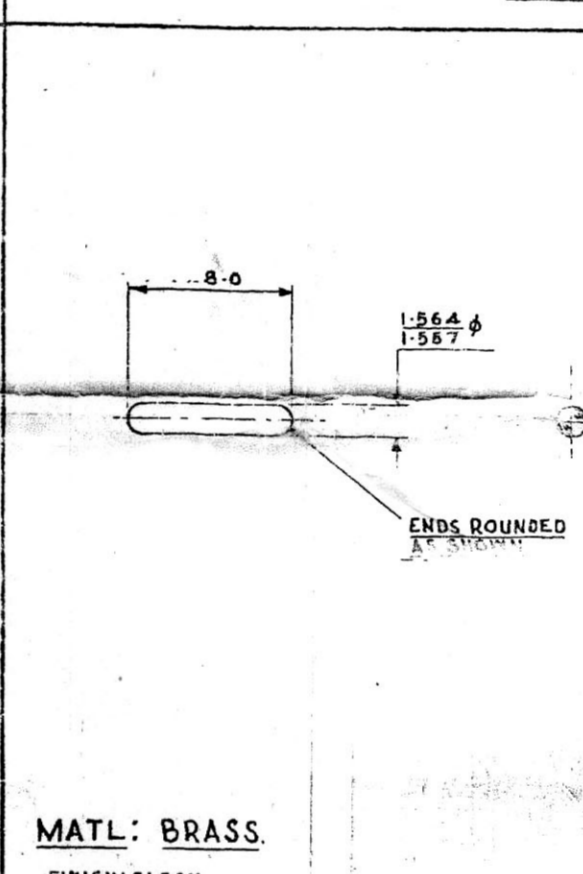
MATL: BRASS
FINISH: CLEAN

DET. 19 SWITCH PUSH 1-OFF/SET



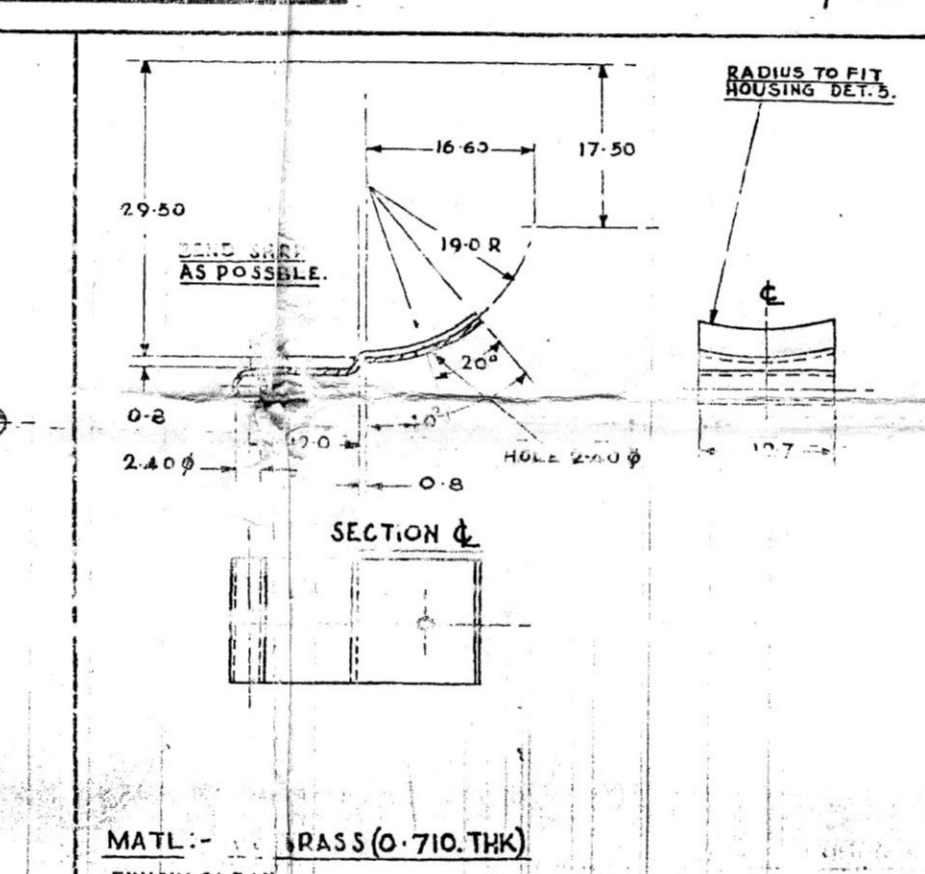
MATL: SPRING STEEL WIRE.
FINISH: APPROVED RUST PROOFING.

DET. 20 SPRING 1-OFF/SET



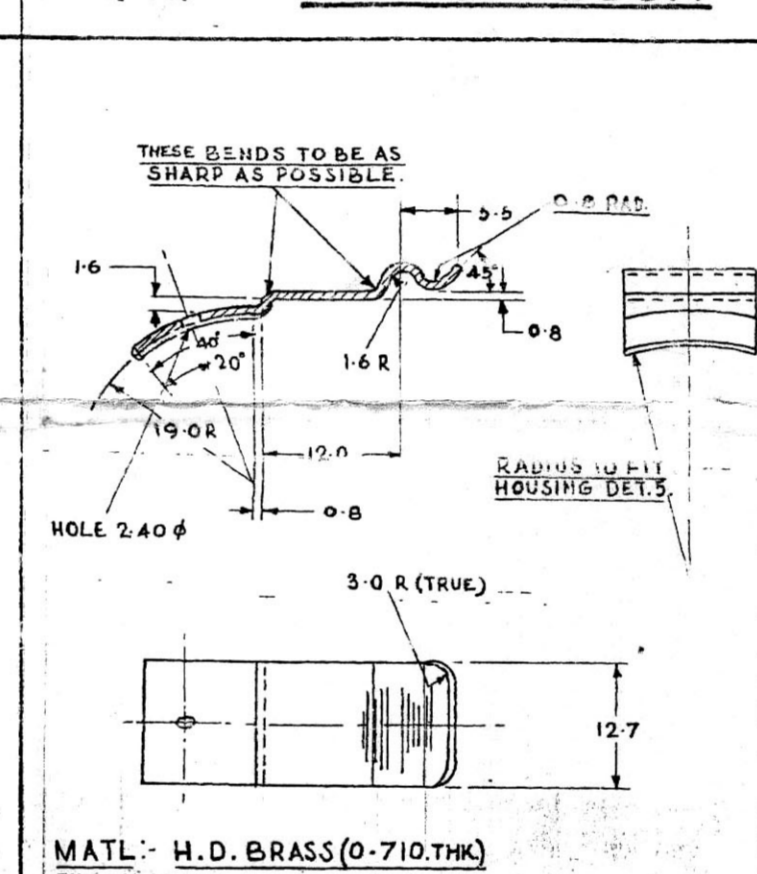
MATL: BRASS
FINISH: CLEAN

DET. 21 SWITCH PIN 1-OFF/SET



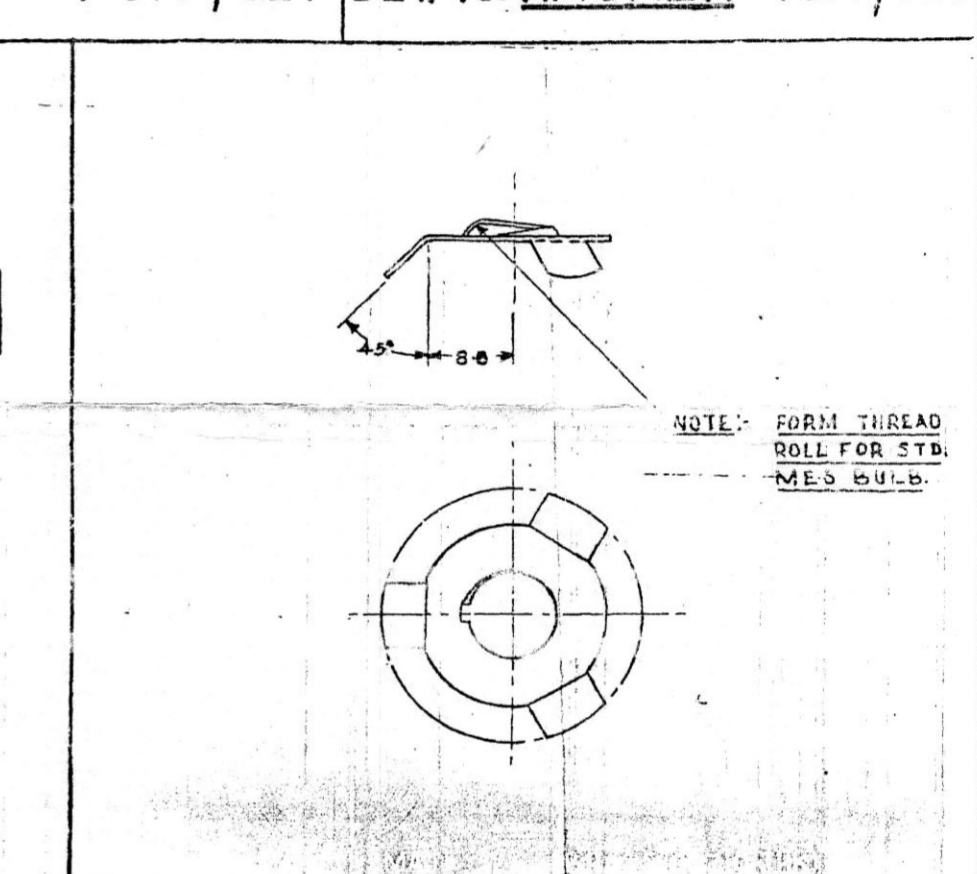
MATL: BRASS (0.710 THK)
FINISH: CLEAN

DET. 22 HINGE 1-OFF/SET



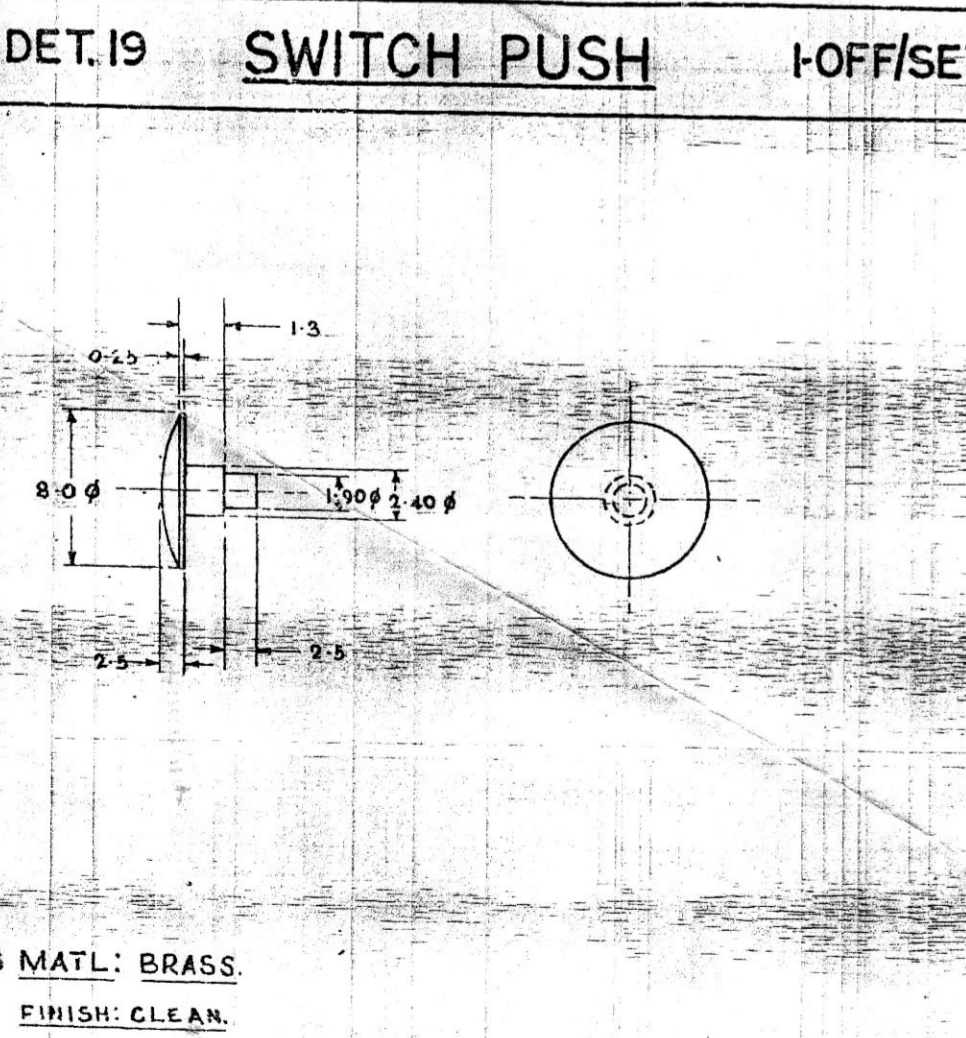
MATL: H.D. BRASS (0.710 THK)
FINISH: CLEAN

DET. 23 CATCH 1-OFF/SET



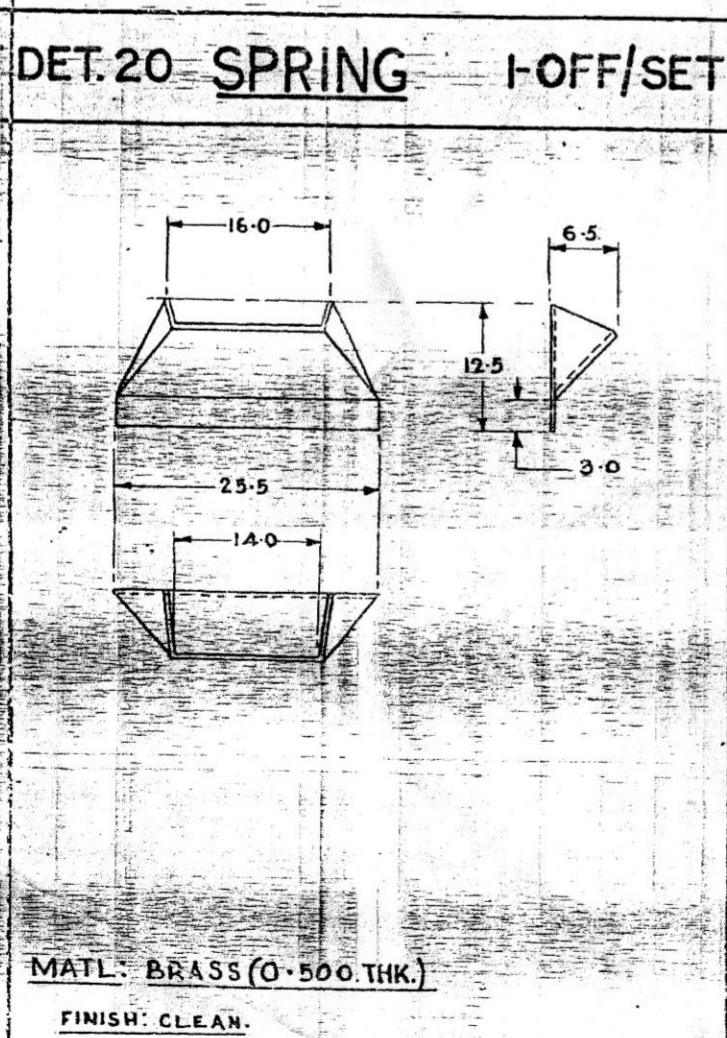
MATL: BRASS (0.400 THK)
FINISH: N.P.D.

DET. 24 LOCKING RING 1-OFF/SET



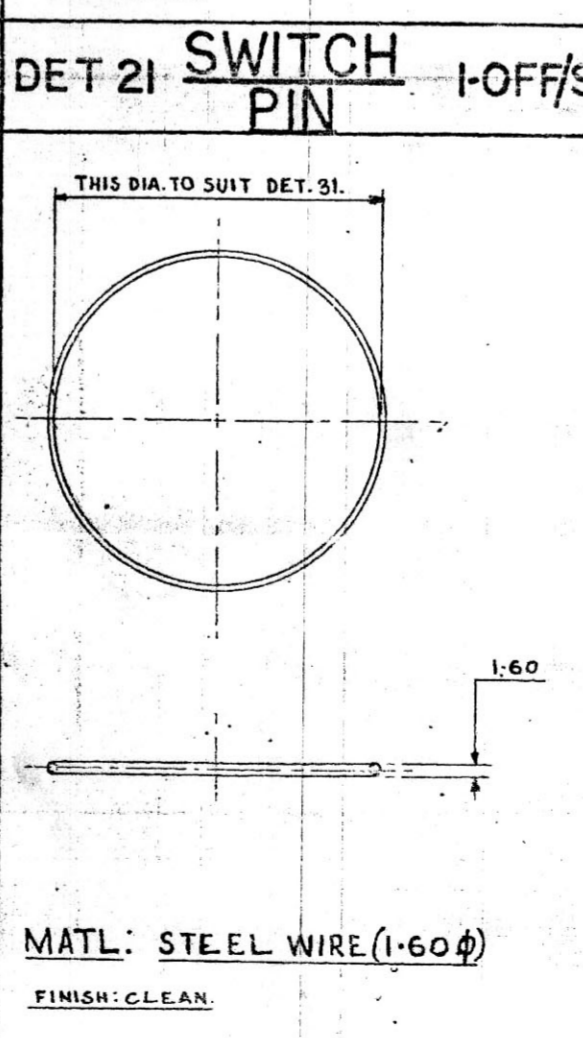
MATL: BRASS
FINISH: CLEAN

DET. 26 RIVET 1-OFF/SET



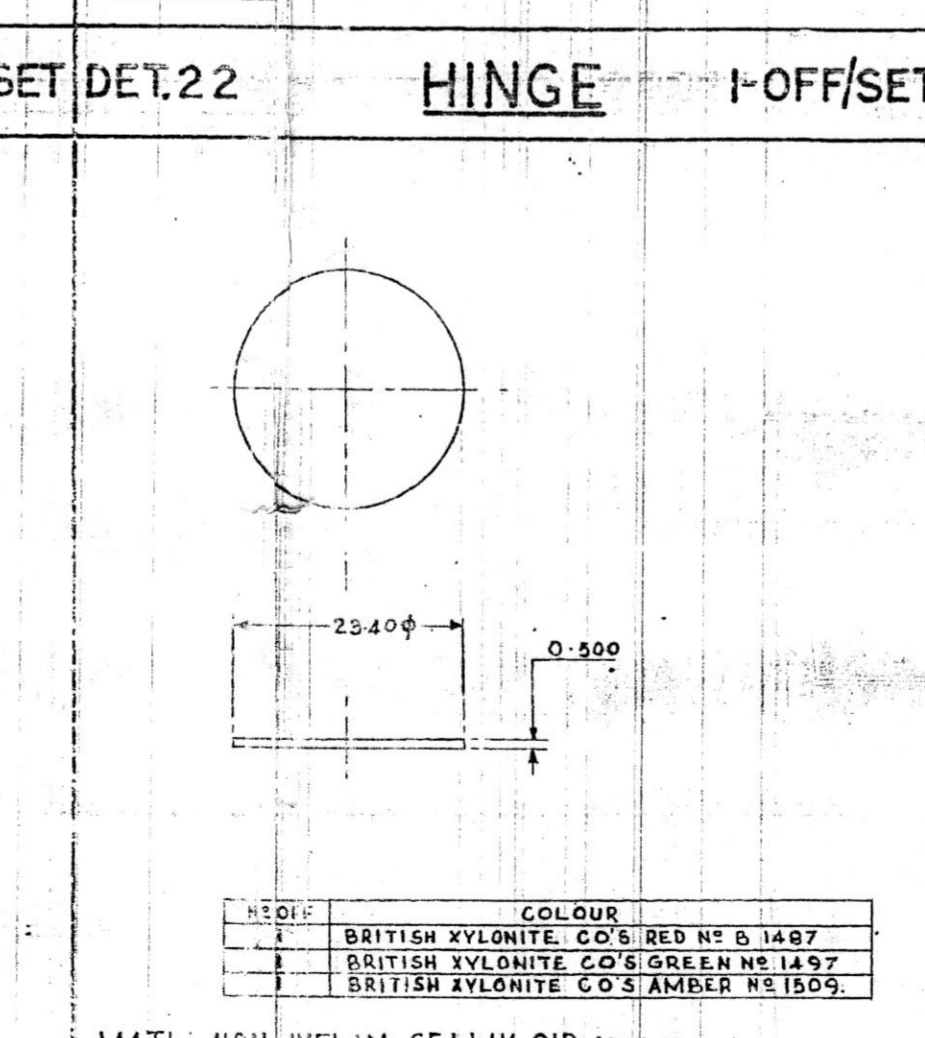
MATL: BRASS (0.500 THK)
FINISH: CLEAN

DET. 27 SHIELD 1-OFF/SET



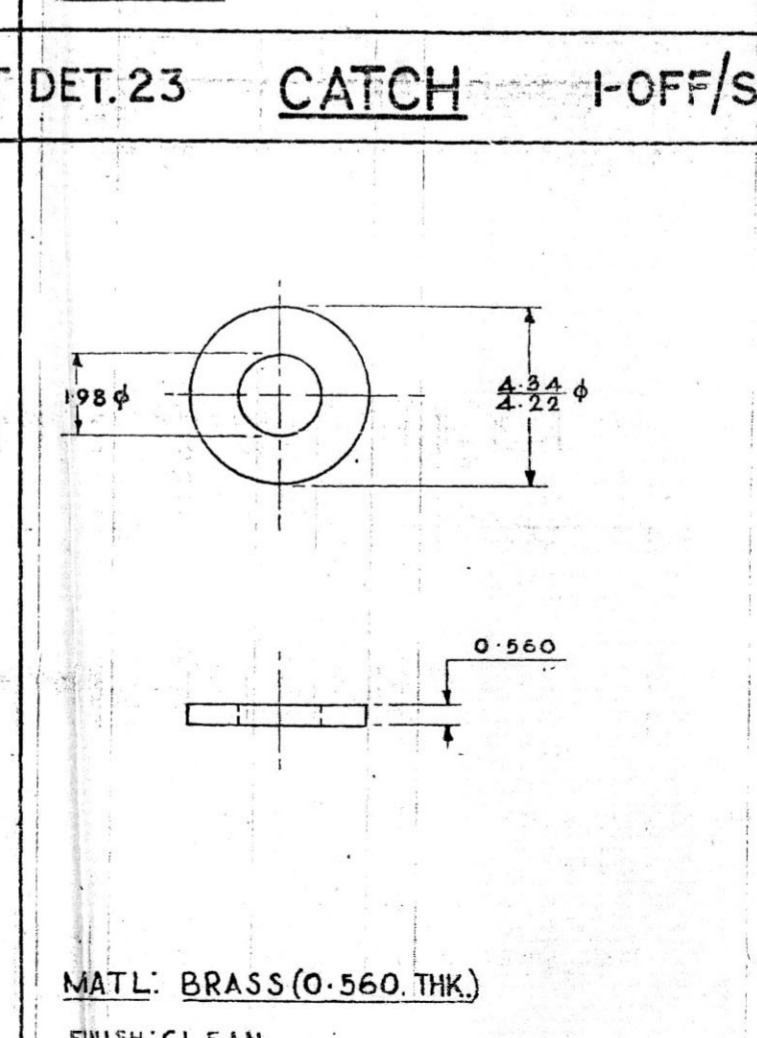
MATL: STEEL WIRE (1.60 φ)
FINISH: CLEAN

DET. 28 WIRE RING 1-OFF/SET



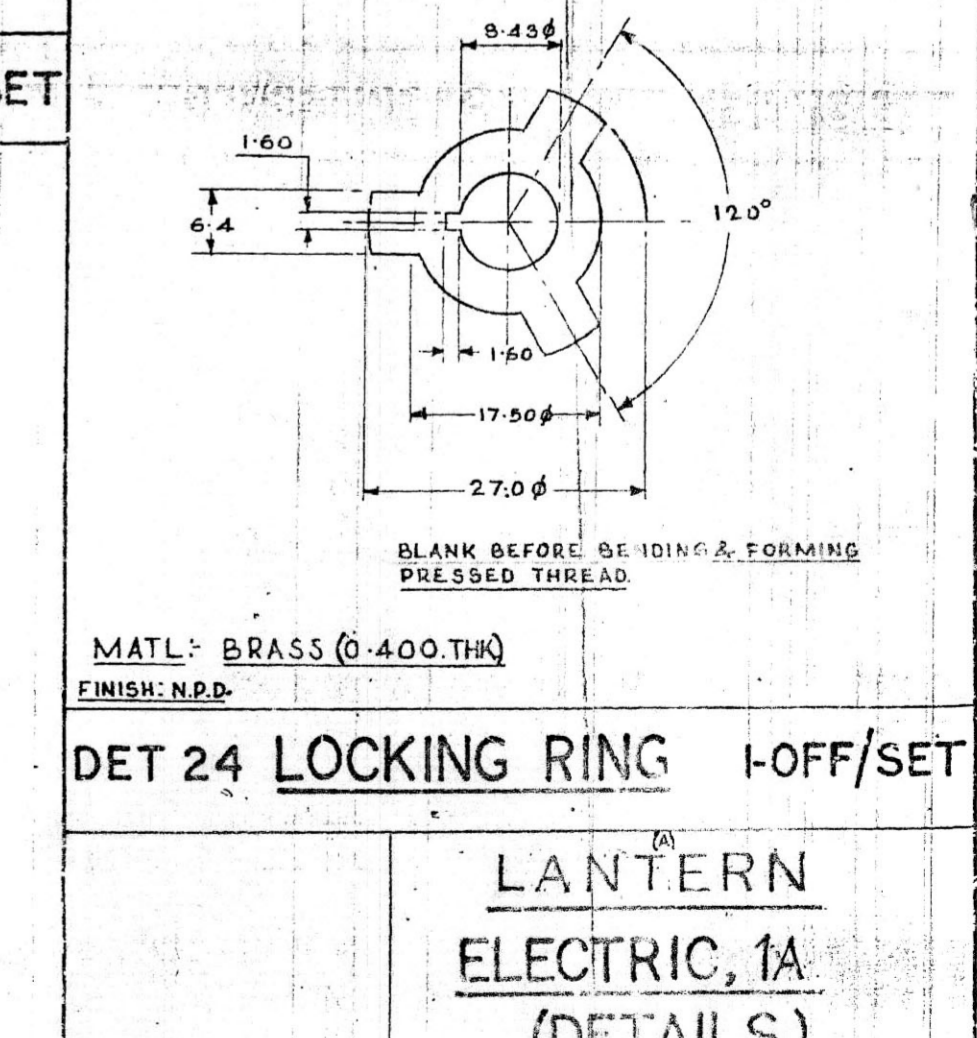
MATL: NON-IFLAM. CELLULOID. (SEE SPECN)

DET. 29 COLOURED SCREEN 1-OFF/SET



MATL: BRASS (0.560 THK)
FINISH: CLEAN

DET. 30 WASHER 1-OFF/SET



MATL: BRASS (0.560 THK)
FINISH: CLEAN

DET. 31 WASHER 1-OFF/SET

AMENDMENTS
3. C. 11-64-1 (PROV)
DWG SEALED PROV.
13-12-77
TITLE: AMENDED DWG
NO. APPROVED: 22.75

APPROVED: [Signature]
DATE: [Blank]
FRONT CONTROLLER: [Signature]
CHECKED: [Signature]
DRAWN BY: [Signature]

भारतीय वायु सेना
C. 11-64-1 (PROV)
DWG SEALED PROV.
13-12-77
TITLE: AMENDED DWG
NO. APPROVED: 22.75

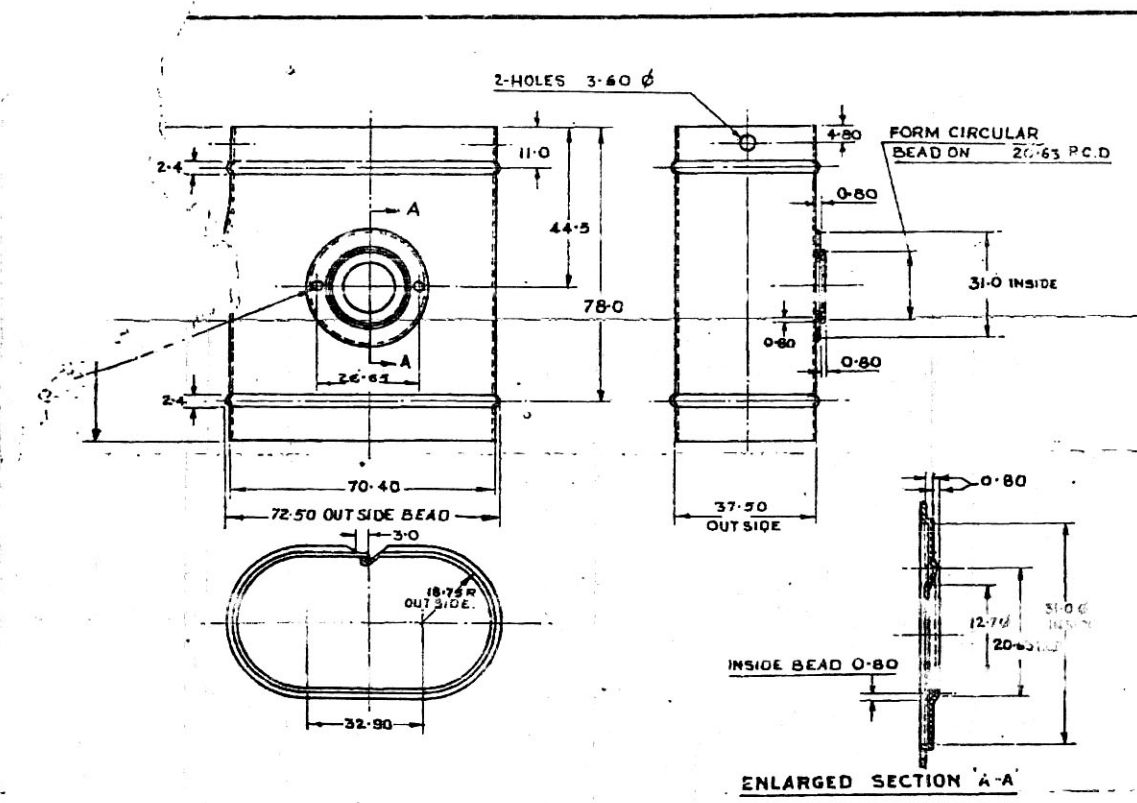
LANTERN
ELECTRIC, 1A
(DETAILS)
DIMENSIONS ARE IN MILLIMETRES.
DRAWN BY: [Signature]
CHECKED BY: [Signature]
COL: [Blank]
CHIEF INSPECTOR, ENGINEER & SIGNALS STORES.
I.R.E.S.
M
4766
(METRIC)
11

ORIGINAL

AMENDMENTS
 23-12-77
 TITLE APPROVED
 DATE: 23-12-77

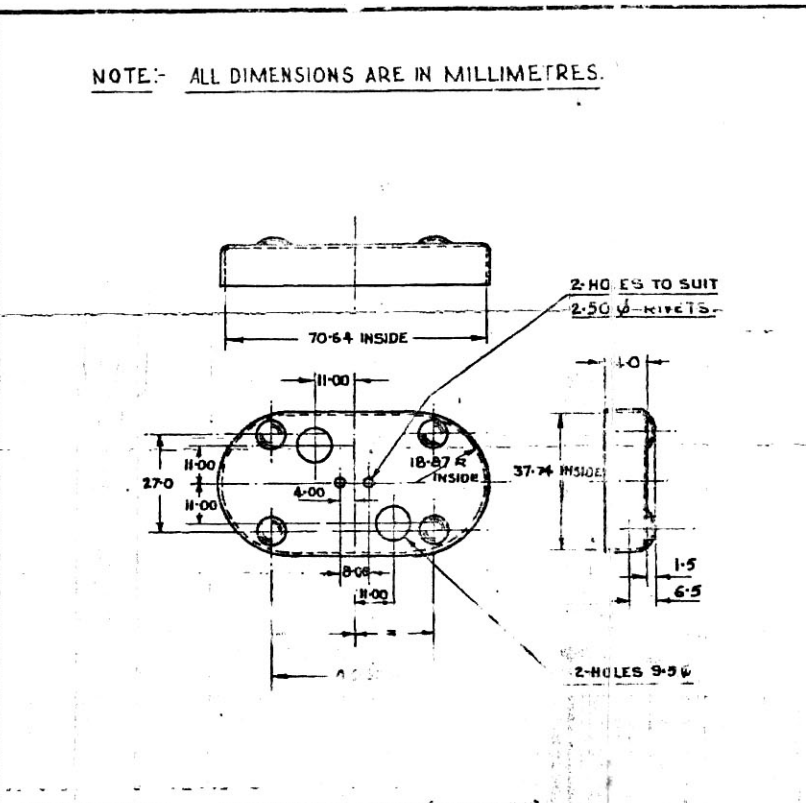
BASED ON DRG. N. LR.

D.C. (I) No. 644-E (Prov). 7144-E
 FOR CONTROLLER
 CHECKED BY: [Signature]
 APPROVED BY: [Signature]
 DATE: 23-12-77



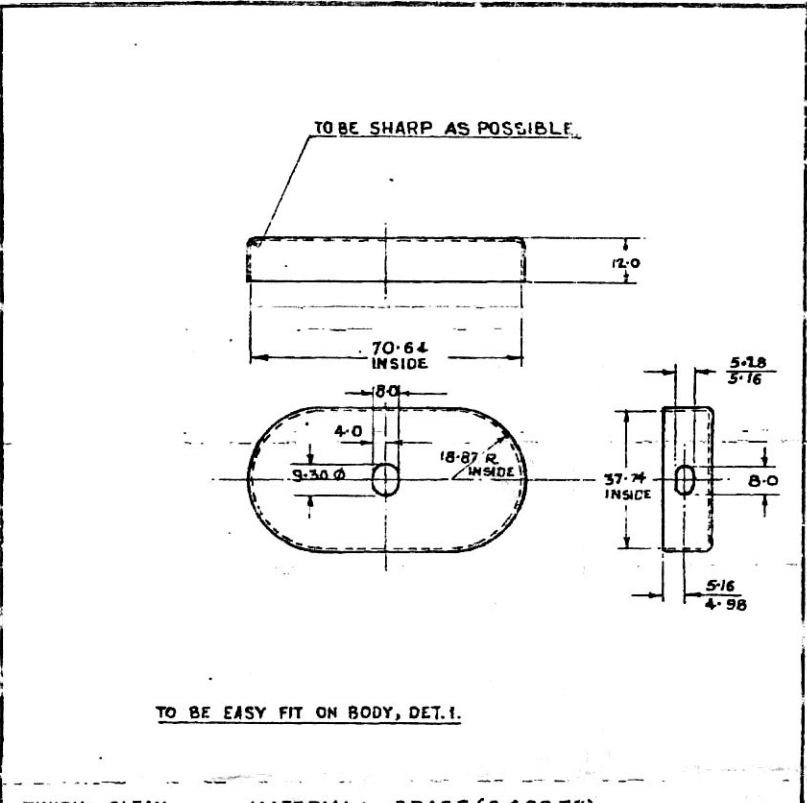
FINISH: CLEAN. MATERIAL: BRASS (0.400 THK)

DET.1 BODY. 1-OFF / SET



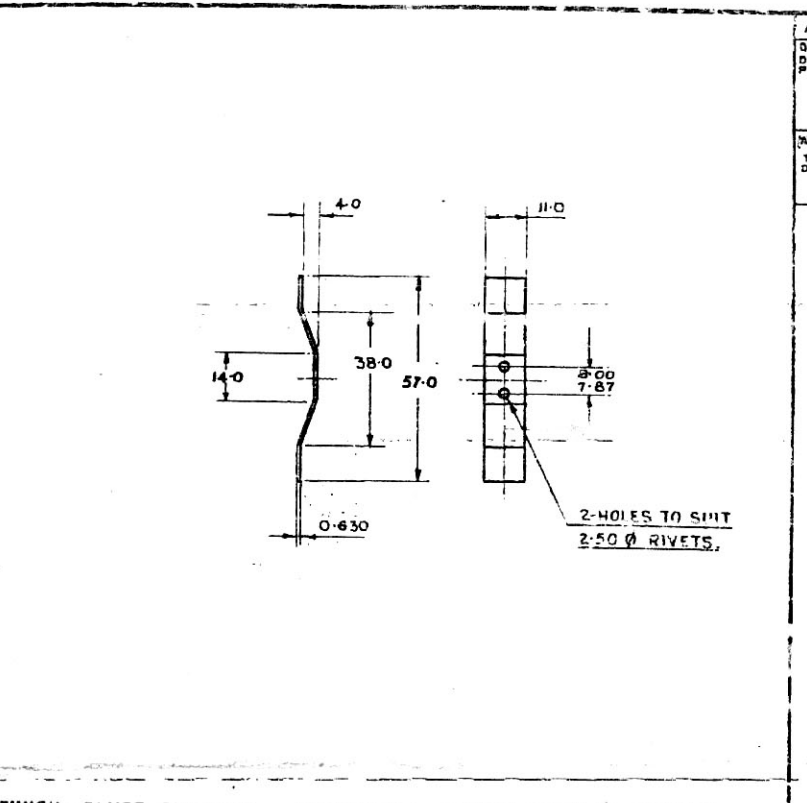
FINISH: CLEAN. MATERIAL: BRASS (0.400 THK)

DET.2. BOTTOM CAP. 1-OFF / SET.



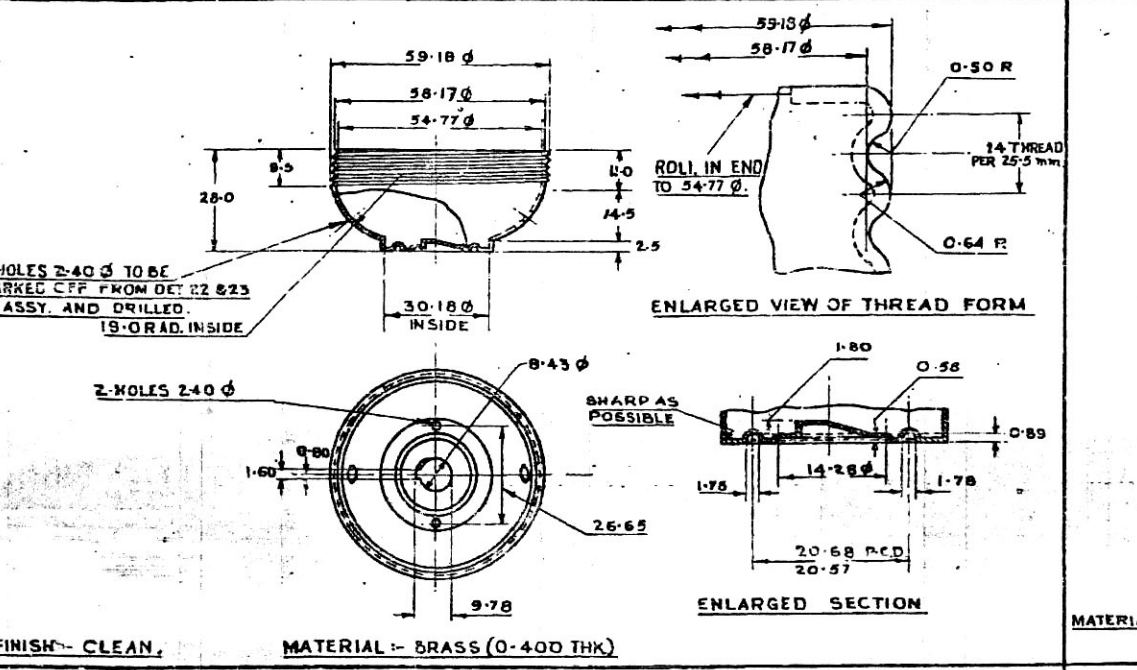
FINISH: CLEAN. MATERIAL: BRASS (0.400 THK)

DET.3 TOP CAP. 1-OFF / SET



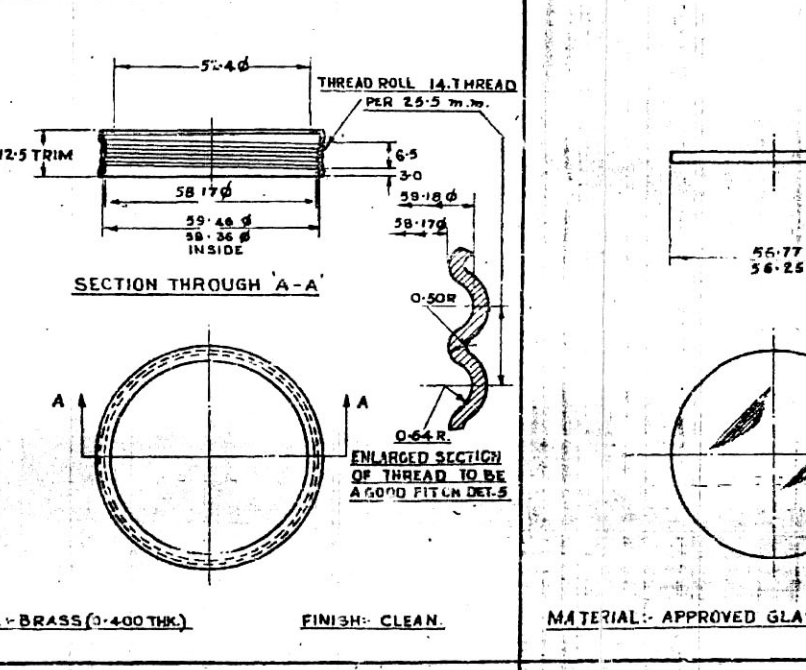
FINISH: BLUED RUSTLESS. MATERIAL: SPRING STEEL (0.630 THK)

DET.4. SPRING. 1-OFF / SET



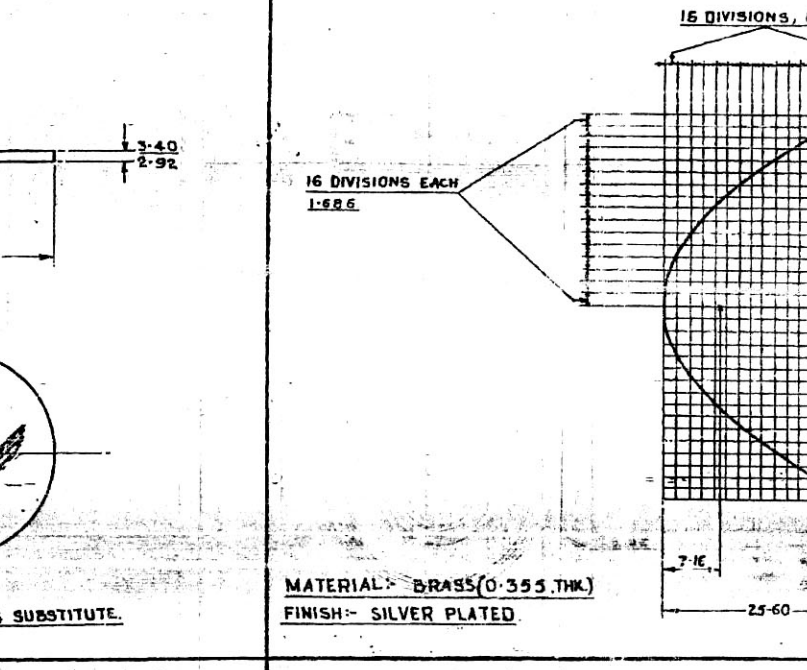
FINISH: CLEAN. MATERIAL: BRASS (0.400 THK)

DET.5. HOUSING 1-OFF / SET



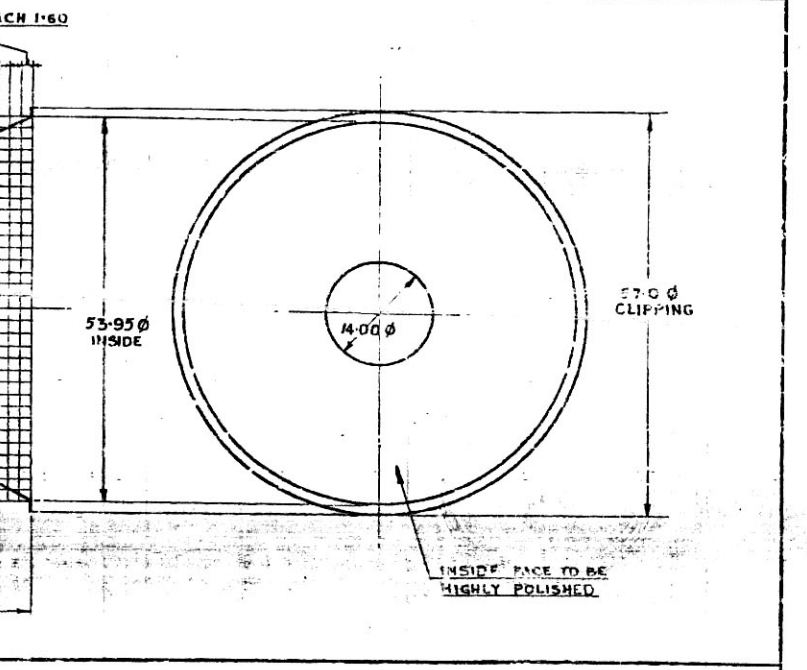
MATERIAL: BRASS (0.400 THK). FINISH: CLEAN.

DET.6 WINDOW RING. 1-OFF / SET



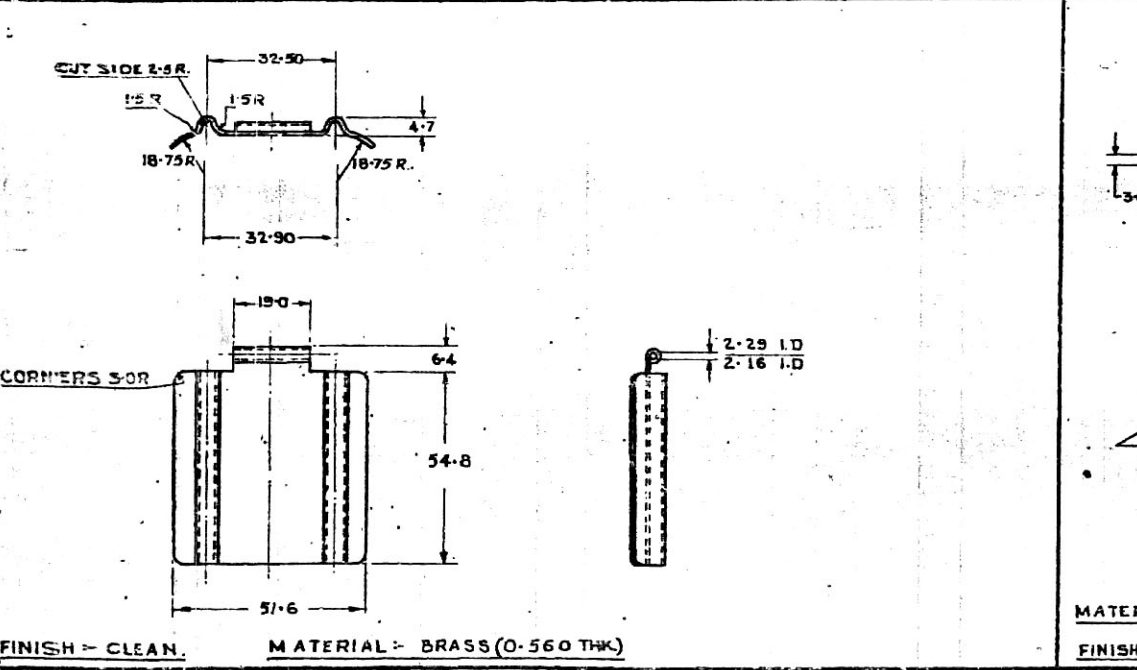
MATERIAL: APPROVED GLASS SUBSTITUTE.

DET.7. WINDOW. 1-OFF / SET



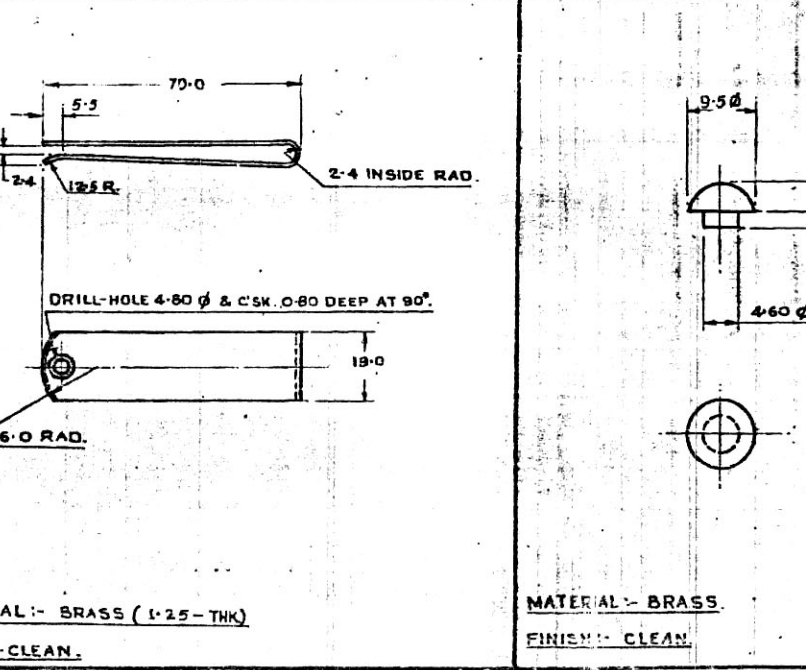
MATERIAL: BRASS (0.355 THK). FINISH: SILVER PLATED.

DET.8. REFLECTOR. 1-OFF / SET



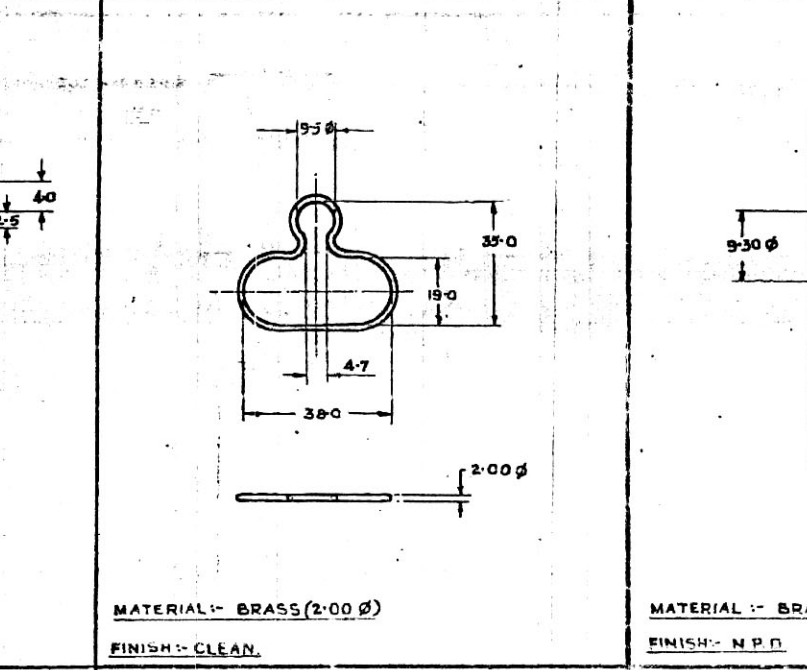
FINISH: CLEAN. MATERIAL: BRASS (0.560 THK)

DETS. BELT CLIP BRACKET. 1-OFF / SET



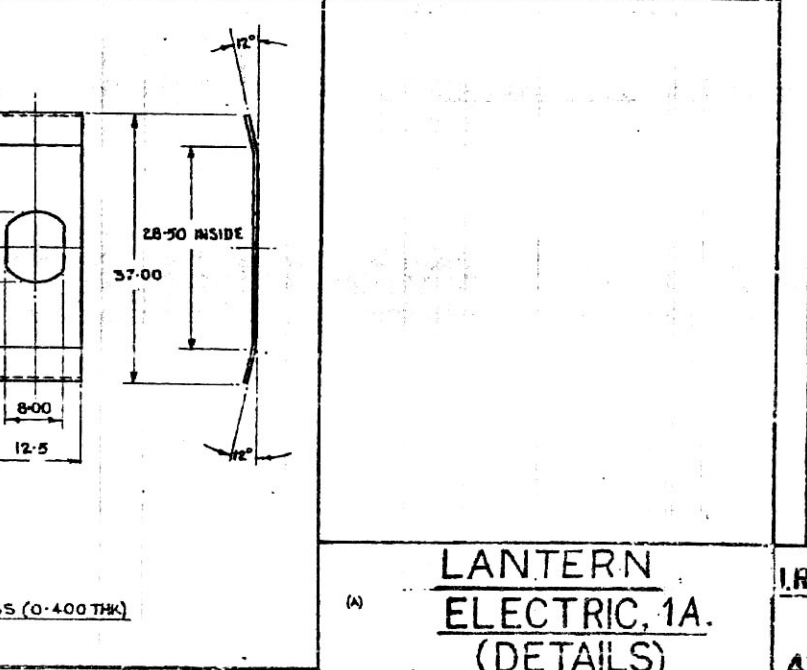
MATERIAL: BRASS (1.25 THK). FINISH: CLEAN.

DET.10. BELT CLIP. 1-OFF / SET



MATERIAL: BRASS. FINISH: CLEAN.

DET.11 BELT STOP. 1-OFF / SET



MATERIAL: BRASS (2.00 Ø). FINISH: CLEAN.

DET.12 BUTTON CLIP. 1-OFF / SET

RETRIEVED AT: ISS. BY: [Signature]
 CHECKED BY: [Signature]
 DATE: 23-12-77

LANTERN
 ELECTRIC, 1A.
 (DETAILS)
 DRAWN BY: [Signature] TRACED BY: [Signature] CHECKED BY: [Signature]
 I.R.E.S.
 M.
 4766
 (METRIC)
 COL.
 CHIEF INSP. OR ENGINEER & SIGNALS STORES.

ORIGINAL