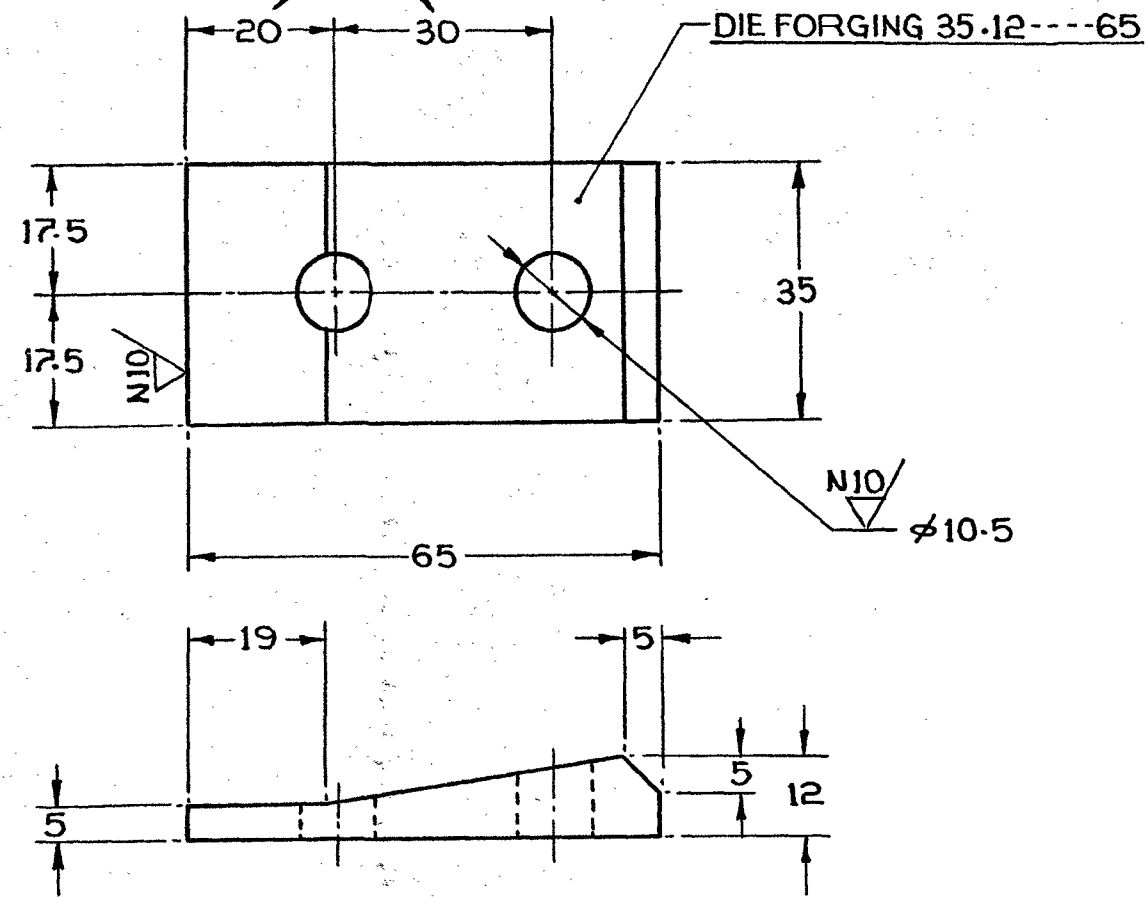


IMPD-0992

ADHERE TO DIMENSIONS EXACTLY



**AXLE GUARD CAT-1326**  
**[GUARD AXLE]**

**MATL:- TU St 37.**  
**ALTERNATIVE MATL:- MS.**

**NOTE**

- 1. REMOVE BURRS FROM BORES.
- 2. GALVANIZED AND CHROMATISED TO 20-30  $\mu$ m.

DRG BASED ON CAT No.1326 DS No. 14/5420-000122

A	8	7	6	5	4	DRN	DRG NOT TO BE SCALED.	PERTAINS TO:-										
						TCD S M BAKSHI	ALL SHARP EDGES & CORNERS TO BE ROUNDED OFF.		IMSA-016780168									
						CHD <i>[Signature]</i> SL	ALL DIMENSIONS ARE IN mm UNLESS OTHERWISE SPECIFIED.											
						PSD <i>[Signature]</i> ACIE (DRG)	NOMENCLATURE											
						APPD <i>[Signature]</i>	<b>AS STATED</b>											
DATE 23/11/87	SCALE:- 1:1																	
						TOLERANCE UNLESS OTHERWISE SPECIFIED												
		DC(I)	DATE	ZONE	BRIEF RECORD	SIG	GEN	DEC	ANG									
							MEDIUM	IS:2102	CONTROLLERATE OF INSPECTION ENGINEERING EQPT									