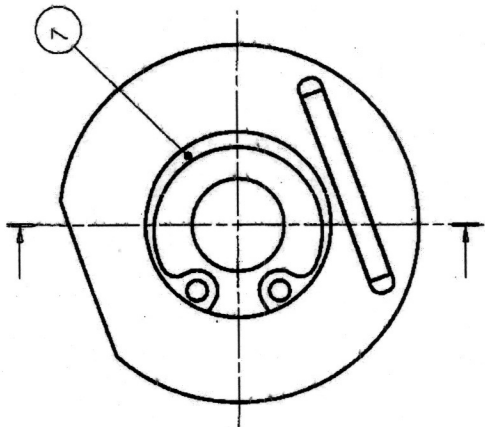
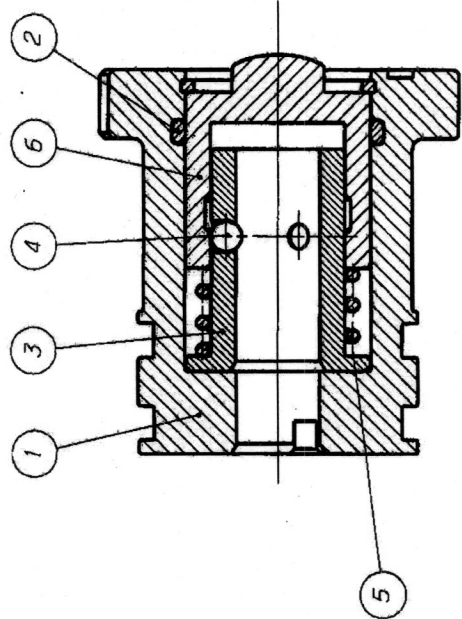


THIRD ANGLE PROJECTION



Pos 2 3 4 5 och 6 infettad med 8
 Items 2 3 4 5 and 6 greased with 8

8	Smörj fett Grease	138	FSD 8203
7	Spärring Retaining ring	SgH18	SS 1582
6	Spärrknapp Retaining knob	F1303-027020	MCT-2308
5	Tryck fjäder Compression spring	F1303-026990	MCT-2304/1
4	Kula Ball	Ø3	RB-3 RS SKF
3	Spärrhylsa Locking sleeve	F1303-027010	MCT-2303/1
2	O-Ring O-Ring	18,1x1,6	SMS 1586 SMS 1587
1	Rätt, märkt Knob, marked	551+441	F1303-026971 MCT-2276/1

FOR INHAUG ÖRM
 Date of Issue: 14/11/12
 Part

DT	SCALE-2:1
MATL	TREAT
SHEETS	SHT. NO
AMENDMENTS	DRAWING NO
OF D/DO/PO2	MCT-2316/1

TELESCOPE SIGHT 84mm CARL GUSTAV MK-III

KNOB ASSY

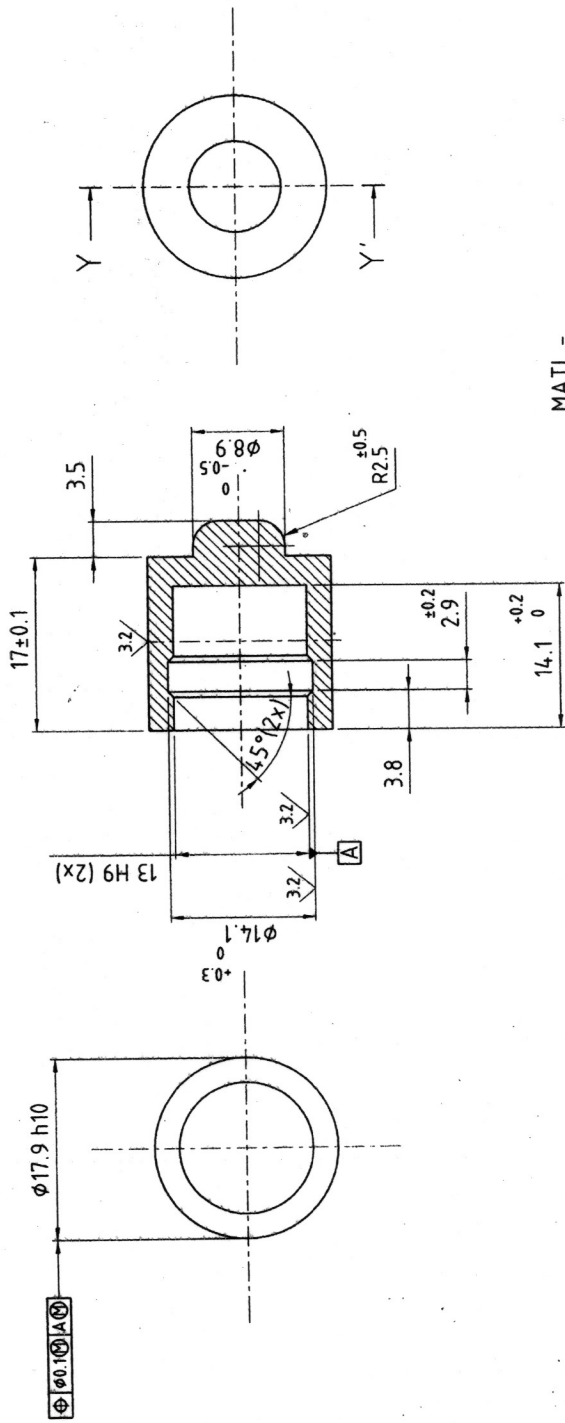
DRGN^o 551+441
 F1303-026981B FEB 557

DR-SK [Signature]
 TR- [Signature]
 CH- [Signature]
 APPROVED
 1/00 [Signature] DGM/JP

ORD.F.Y.
 DEHRADUN

+

MCT-2308



MATL.- STEEL 1914-04 alt EN 10277-3-1.0756+C560
TREAT.- NITROCARBURIZED FZ min. 8µm max. 15µm, OXIDATION-TREATED.

SEC. AT Y-Y'

FOR TRADE SHM
 Date of Issue: 14/12/2016
 Rgn

ALL DIMENSIONS ARE IN mm.

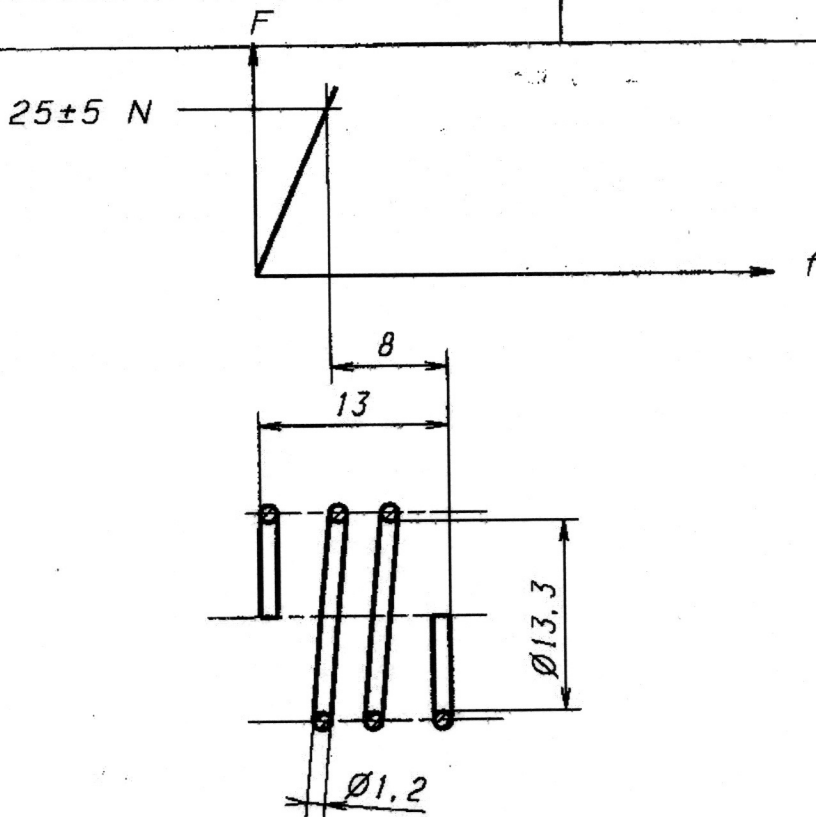
ORDNANCE FACTORY DEHRADUN	DR:- R.K.SHARMA	DATE- 24.07.2006	SCALE- 2:1
	TR:-	<u>MATL</u> AS ABOVE	<u>TREAT</u> AS ABOVE
	CH:- <i>R.K.Sharma</i>	SHTS:-	SHT. No:-
	APPROVED: <i>R.K.Sharma</i>	DRAWING NO. -	
IC/DO. <i>R.K.Sharma</i>	AMENDMENTS: OFD/DO/002	MCT-2308	
TELESCOPE SIGHT FOR 84 mm. CARL GUSTAV MK-III RETAINING KNOB		(IN)	
557		F1303-027020 B	
DRG. No.-		DGM/P.	

TELESCOPE SIGHT 84MM CARL GUSTAV MKIII

COMPRESSION SPRING

DRG. NO F-1303-026990

MCT-2304/1



n tot
Total number of coils | 3 ^{+0.5} 0

Ändvarven nedlagda enl | SS 2386
End coils squared to

FOR TRADE USE

Date of Issue 14/12/14
Ref

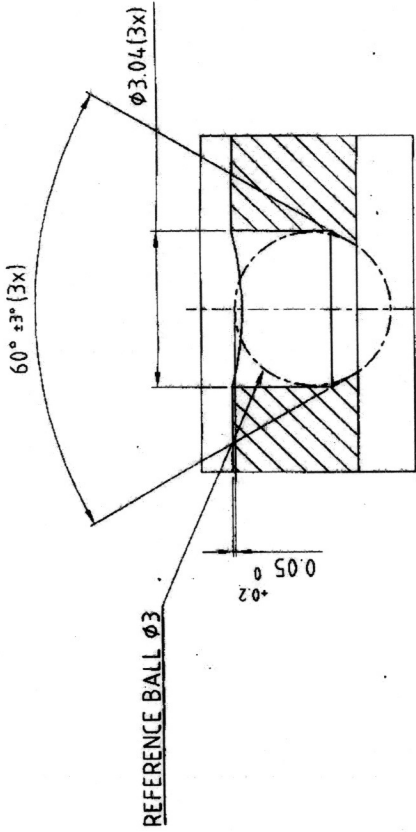
MATL- IS-4454-2001 Pt-1 Gde 'SM'

D/- 21-8-06 SCALE 2:1

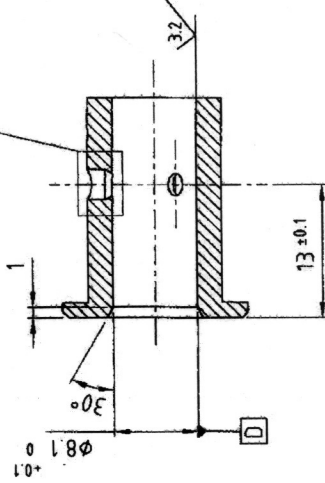
	DR. SKT 11/1/14	<u>MATL</u>	<u>TREAT</u>
	TR.	-	-
DAN ^o 18/2014 Dt 16/10/14	CH. <i>[Signature]</i>	SHTS.	SHT. NO
AMENDMENTS	APPROVED <i>[Signature]</i>	DRG. NO	
OFD/DO/002	<i>[Signature]</i> 1/E DO - DGM/P	MCT-2304/1	

ORD. FY. DEHRADUN

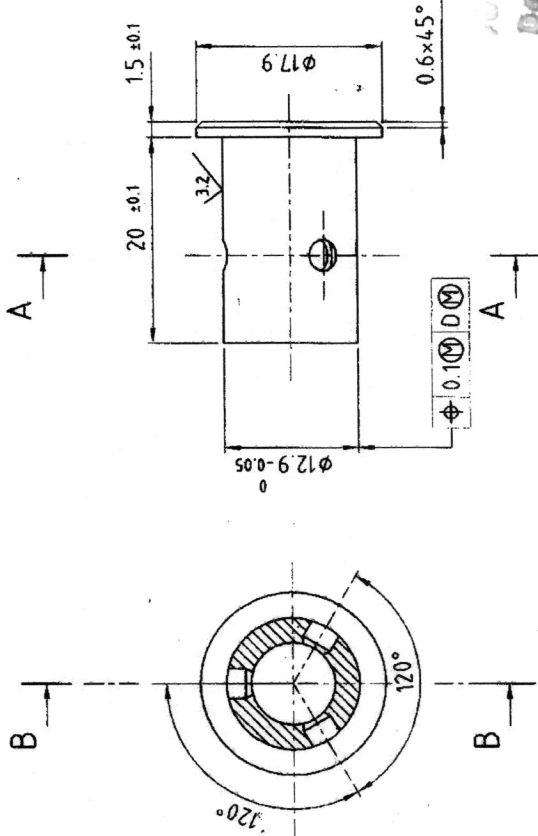
MCT-2303/1



SCALE 10:1



SEC. AT B-B



SEC. AT A-A

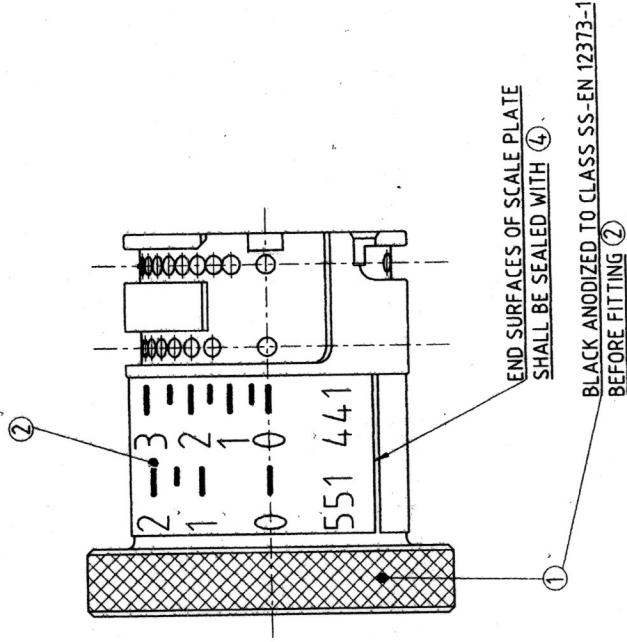
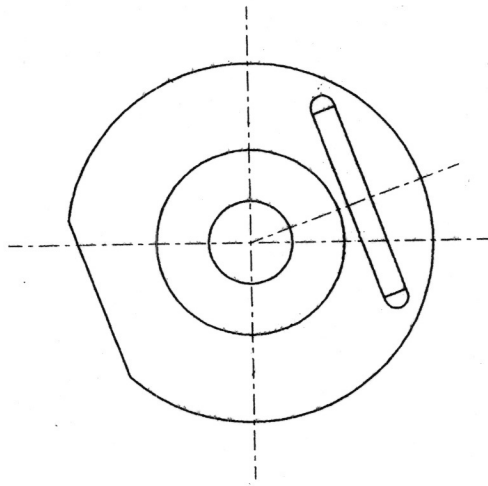
MATL: IS-4431-78 STEEL, DESIGN 40 C 10 S 18
 TREAT - NITROCARBURIZED FZ min. 8µm max. 15µm, OXIDATION-TREATED.

Date of Issue: 23/08/2006
 Rev: 1

ALL DIMENSIONS ARE IN mm.

ORDNANCE FACTORY DEHRADUN	DR:- R.K.SHARMA	DT:- 23.08.2006	SCALE:- 2:1
	TR:-	MATL: AS ABOVE	TREAT AS ABOVE
APPROVED: <i>[Signature]</i> IC/DO	CH:- <i>[Signature]</i>	SHTS:- 1	SHT. No:- 1
	DRAWING NO.:- MCT-2303/1		
TELESCOPE SIGHT FOR 84 mm. CARL GUSTAV MK-III LOCKING SLEEVE		AMENDMENTS: OFD/DO/002	
DRG. No.:- E1303-027010C			

MCT-2276/1



END SURFACES OF SCALE PLATE SHALL BE SEALED WITH ④.

BLACK ANODIZED TO CLASS SS-EN 12373-1 BEFORE FITTING ②.

THE O-MARK OF THE SCALE PLATE EXACTLY OPPOSITE TO THE O-POSITION RECESS ± 0.25 mm.

ITEM	QTY.	TITLE	DRG./REFERENCE	OTHER INFORMATION
4	reg	ADHESIVE		LOCTITE 460
2	1	SCALE PLATE	F1303-026961 MCT-2309/1	
1	1	KNOB	F1303-026941 MCT-2277	

FOR TRADE MARK
Date of Issue: 14/11/2010
Page: 1

TELESCOPE SIGHT FOR 84 mm. CARL GUSTAV MK-III
KNOB, MARKED 551 + 441
557

DRG. No.- **F1303-026971C**

DR:- R.K.SHARMA
TR:-
CH:-
APPROVED:
JWM/DO. DGM/P.

ORDNANCE FACTORY
DEHRADUN

DT:- 25.03.2006	SCALE:- 2:1
MATL: AS ABOVE	TREAT AS ABOVE
SHTS:- 1	SHT. No:- 1
D.A.No. 20/2011 DT-19-2-2011	
AMENDMENTS.	
OFD/DO/002	
DRAWING NO.- MCT-2276/1	

