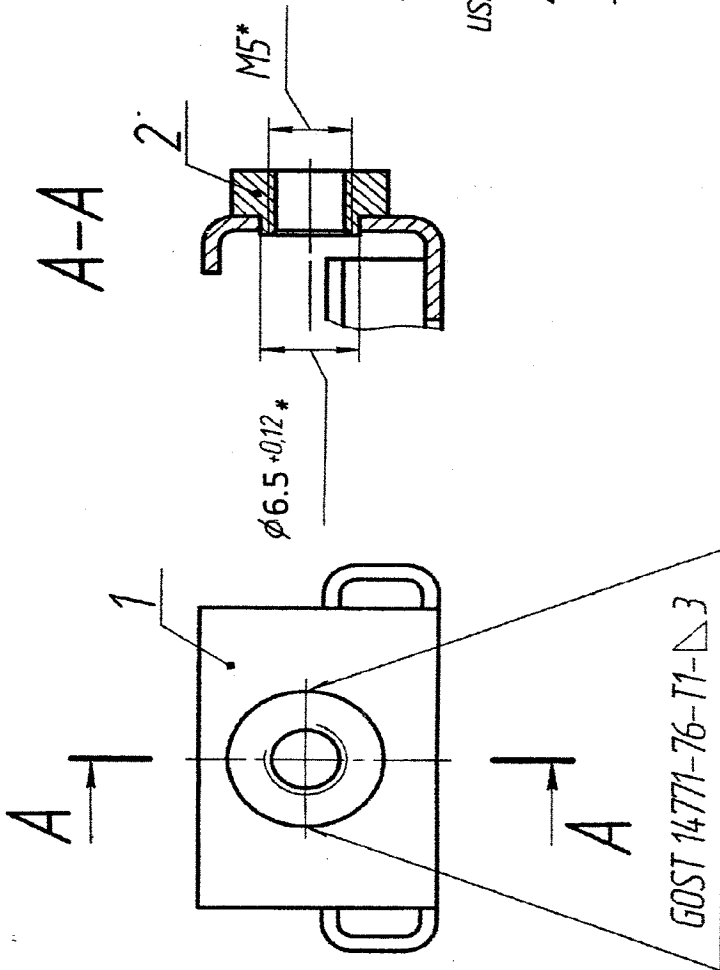


COPY No. 1



GOST 14771-76-T1-Δ3

1 65...69 HRA Hardness to be tested using witness sample produced using same material as reinforcing plate pos. 1.

2 *Reference parameters.

3 Coating is Chem. Phos. chr.

S.NO.	NOMINCLATURE	DRG. NO.
1.	Reinforcing plate	SK-6635 TE
2.	Bush	SK-6636 TE

HOS | MMSD
 आरेखण की सही प्रमाणित
 प्रतिलिपि दिनांक.....
 Certified as correct copy
 of drg. on..... 18/10/23.....
 S

7.62x39 mm AR-SAF		DRAWN	TRACED	CHECKED
Reinforcing plate assembly		S.P.SONI		
Assembly drawing		APPROVED BY		
DATE 17/10/23		HOS/DOO		
SCALE 1:1		DRAWING NO. SK-6634 TE		
SMALL ARMS FACTORY		KANPUR		
SHEET 1 OF 1				

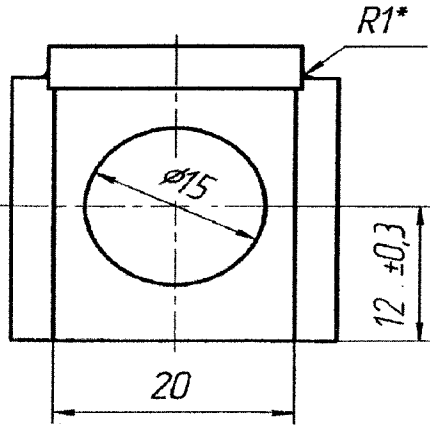
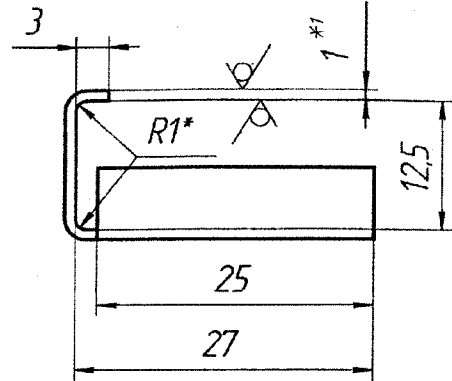
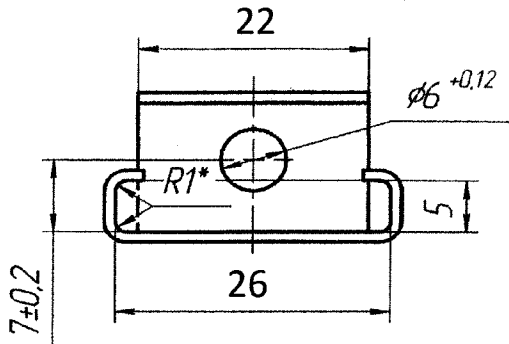
WEIGHT-11.4 g

SK-6635 TE

SAF CONFIDENTIAL
COPY No. 1

D.A. NO.

$\sqrt{Rz 80 (\checkmark)}$



HOS/MD
 Certified as correct copy
 of drg. no. 18/1023
 18/10/23

MATL.- Sheet AT-БШ-БД-ПВ-1,0 GOST 19904-90
 K490B 4-11-40 GOST 16523-97

- 1 *Dimensions to be ensured by tool.
- 2 *Reference dimensions.
- 3 Unspecified tolerances according to 6П45-1.СДТ4/Е2.
- 4 Coating is Chem. Phos. chr.

WEIGHT 9.7 g

7.62 X39 mm AR-SAF
 Reinforcing plate

DRAWN	TRACED	CHECKED
SP SONI		
DATE	17.10.2023	
APPROVED		
HOS/DDO		
DRG. NO.		
SK-6635 TE		
SHT.	1	OF 1

SCALE
N.T.S.

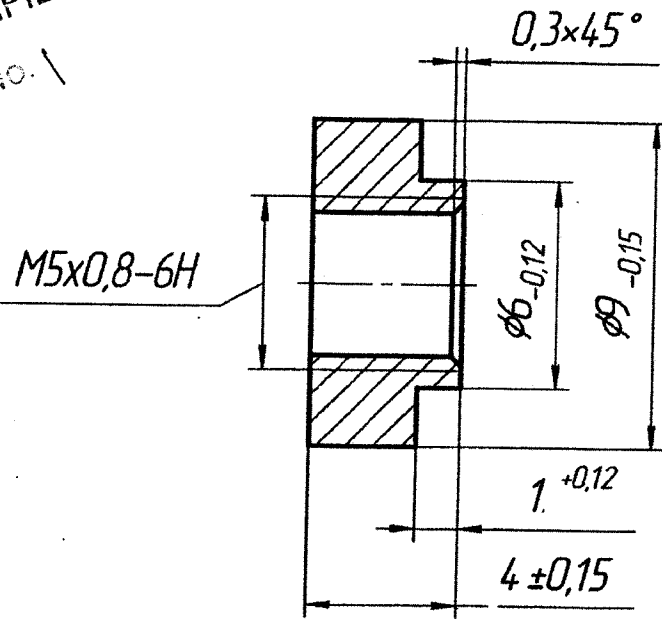
**SMALL ARMS FACTORY
 KANPUR**

SK-6636 TE

D.A. NO.

SAF CONFIDENTIAL
COPY No. 1

√ Rz 20



- 1 Unspecified tolerances according to 61745-1.CDTY/E2.
- 2 Stamp K, V on lot label.

Handwritten notes and a stamp area. The stamp contains the text: "Certified as correct copy of org. no. 18/10/23". There are also some illegible handwritten notes and a signature.

MATL.- Steel 30XГCA
GOST 4543-2016

WEIGHT 1,7g

7.62 X39 mm AR-SAF
Bush

DRAWN	TRACED	CHECKED
SP SONI		
DATE	17.10.2023	
APPROVED		
HOS/DDO		
DRG. NO.		
SK-6636 TE		
SHT. 1 OF 1		

SCALE	
N.T.S.	

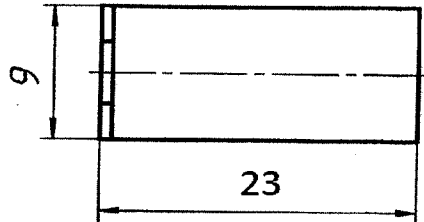
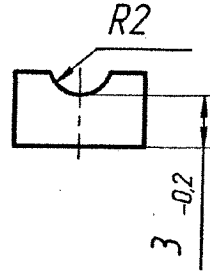
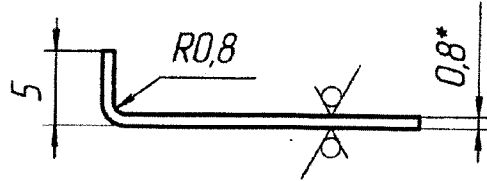
SMALL ARMS FACTORY
KANPUR

SK-6638 TE

D.A. NO.

SAF CONFIDENTIAL
COPY No. 1

$\sqrt{Rz 80 (\sqrt{1})}$



आरेखण की सही प्रमाणित
प्रतिलिपि दिनांक..... 18/10/23
Certified as correct copy
of drg. no..... 18/10/23
HOS/DDO
Jr. W.

- 1 *Reference dimension.
- 2 Unspecified tolerances according to 6П45-1.08T9/E2.
- 3 Coating is Chem. Phos. chr. with oiling.

MATL.- Sheet AT-5W-5D-PB-0,8 GOST 19904-90
K490B 4-11-40 GOST 16523-97

WEIGHT 1,4 g

7.62 X39 mm AR-SAF
Limiter

DRAWN	TRACED	CHECKED
SP SONI		
DATE	17.10.2023	
APPROVED		
HOS/DDO		

SCALE

N.T.S.



SMALL ARMS FACTORY
KANPUR

DRG. NO.

SK-6638 TE

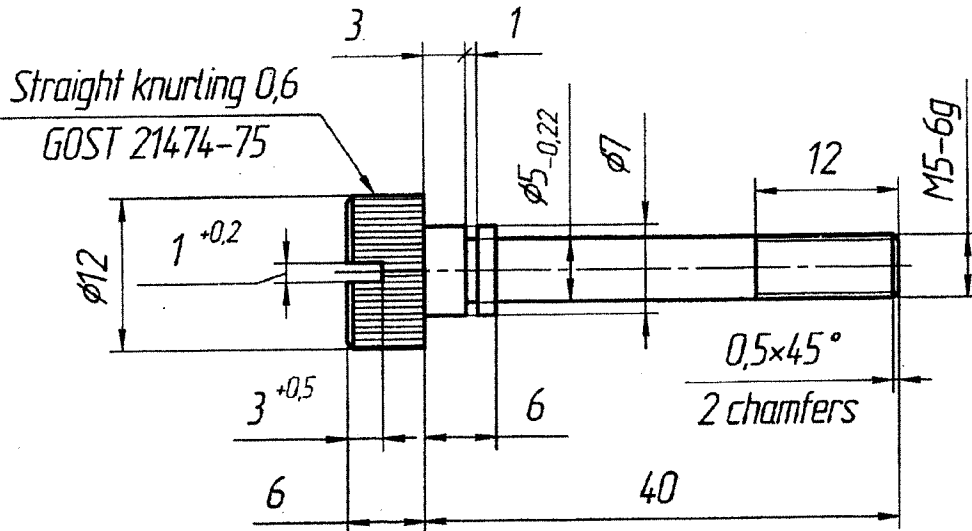
SHT. 1 OF 1

SK-6639 TE

D.A. NO.

SAF CONFIDENTIAL
COPY No. \

$\sqrt{Rz 20}$



प्रमाण की सही प्रमाणित
प्रतिलिपि प्रमाणित
Certified as correct copy
of org. on 18/10/23

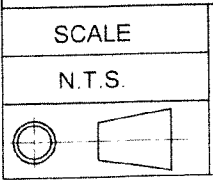
- 1 36..41 HRC.
- 2 Unspecified tolerances according to 6П45-1.08ТУ/Е2.
- 3 Coating is Chem. Phos. chr/impreg. with БФ-4 glue GOST 12172-2016 with nigrosine of grade А GOST 9307-78.

MATL.- Steel 50
GOST 1050-2013

WEIGHT 11,1 g

7.62 X39 mm AR-SAF
Screw

DRAWN	TRACED	CHECKED
SP SONI		
DATE	17.10.2023	
APPROVED		
HOS/DDO		
DRG. NO.		
SK-6639 TE		
SHT. 1 OF 1		



SMALL ARMS FACTORY
KANPUR

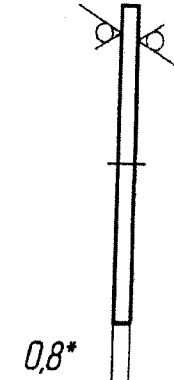
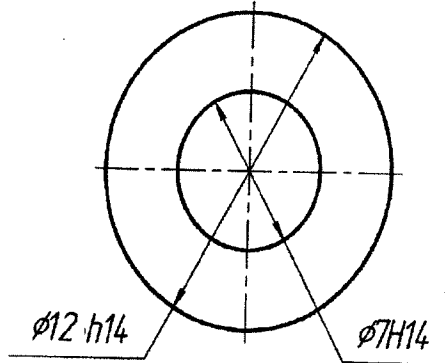
SK-6640 TE

D.A. NO.

SAF CONFIDENTIAL

COPY No. 1

$\sqrt{Rz 40 (\sqrt{1})}$



Kushma

आपका यह प्रति प्रमाणित
 प्रमाणित है कि
 This is a correct copy
 of org. drawing. *18/10/23*

क. कार्यशाला प्रबन्धक
 Jr. Works Manager
 डी.डी.ओ.
 DDO

- 1 *Reference dimension.
- 2 Coating is Chem. Phos. chr/impreg. with $\text{B}\Phi\text{-4}$ glue
 GOST 12172-2016 with nigrosine of grade A GOST 9307-78.

MATL.- Sheet AT-5W-5D-7B-0,8 GOST 19904-90
 K490B 4-11-40 GOST 16523-97

WEIGHT 0,7g

7.62 X39 mm AR-SAF
 Washer

DRAWN	TRACED	CHECKED
SP SONI		
DATE	17.10.2023	
APPROVED		
HOS/DDO		

SCALE
N.T.S.

SMALL ARMS FACTORY
KANPUR

DRG. NO.	SK-6640 TE
SHT.	1 OF 1