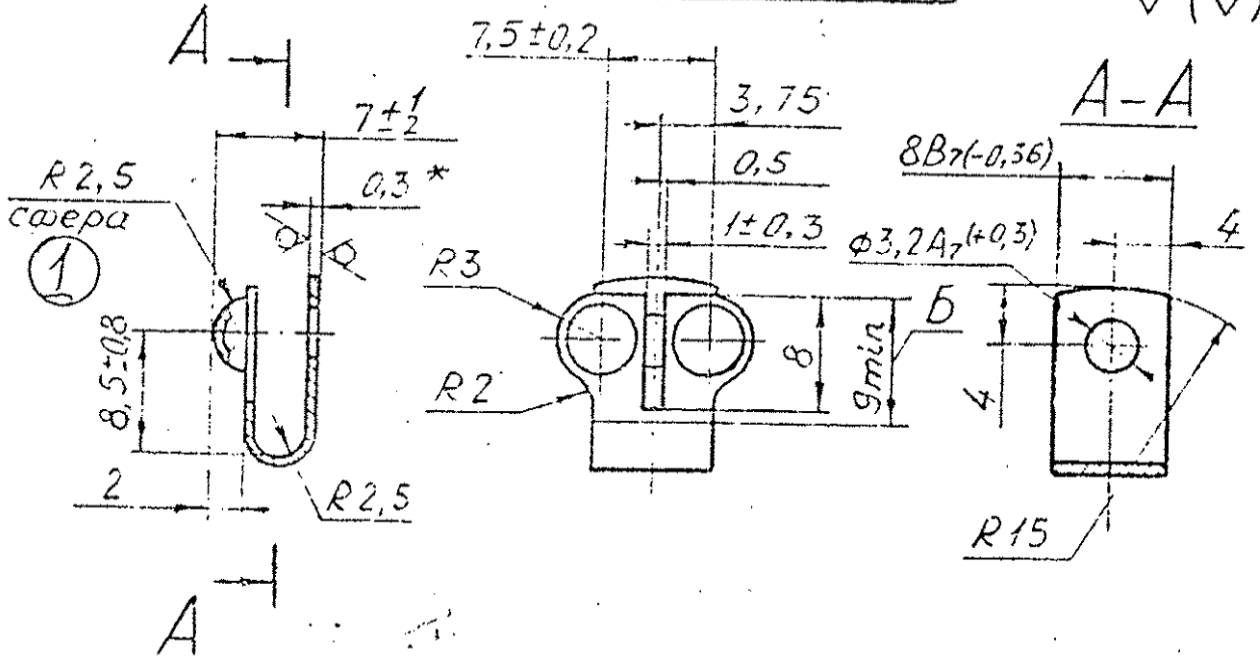


1-751-55-591

Rz160 / (✓) (✓)



TECH. CONDITIONS

1. HV \geq 320. Check against reference sample.
 2. Substitute for material - strap БрБ2-М-0,3-Н ГОСТ 1789-70.
 3. Unspecified stamping radii - 0.5 mm, maximum.
 4. Unspecified limit deviations of sizes - ± 0.5 mm.
 5. Coating on size B: silvering 6 microns thick.
 6. *Size is given for reference.
- Ⓐ EQ. MATERIAL: BERYLLIUM COPPER GRADE: JIS 3130 TYPE OF ALLOY 25

① sphere

00836/IV N. 18/4 20.11.2000	Ⓐ	EQ. MATERIAL ADDED IN THE DRAWING.
DC(1) No. DATE	ISSUE	NATURE OF AMENDMENT

APPROVED

[Signature]

CHECKED

[Signature]

CONTROLLERATE
OF
INSPECTION
(ICV)

765-55-132-1

SPRING

WEIGHT SCALE

0.001 2:1

SHY SHS

band БрБ2 М-0,3-Н
ГОСТ 1789-70