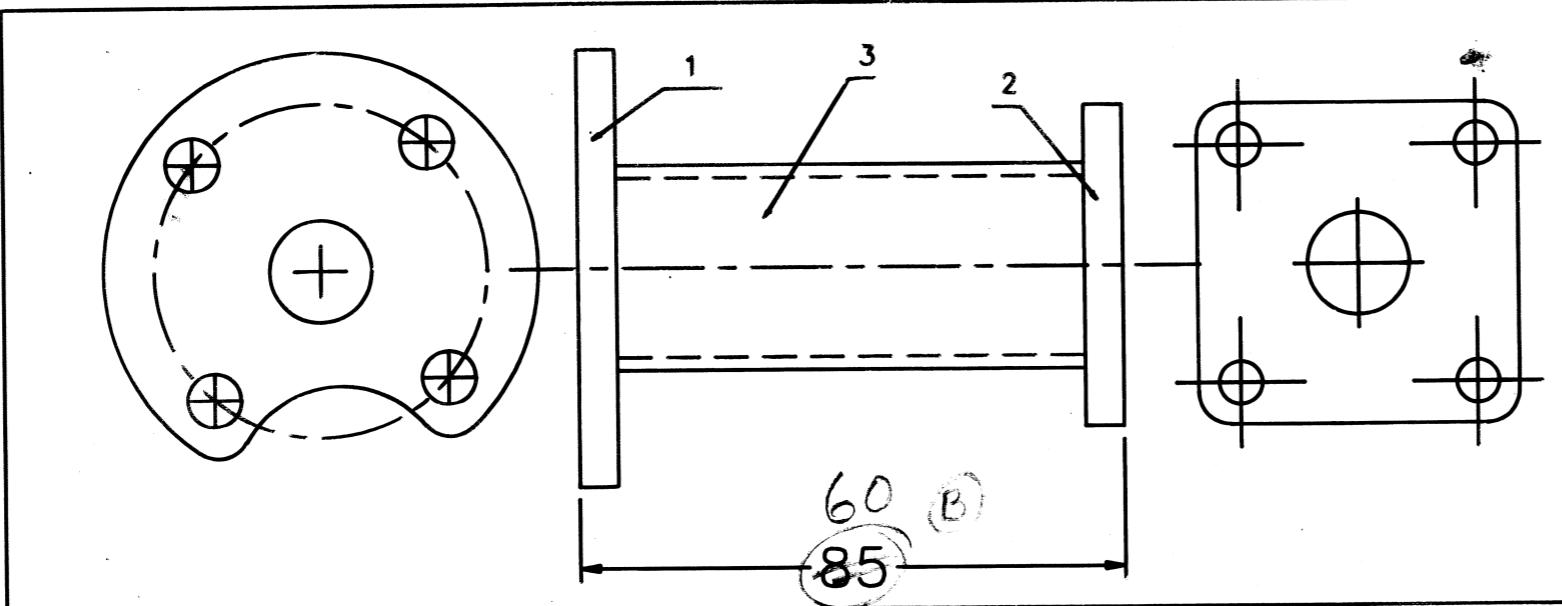


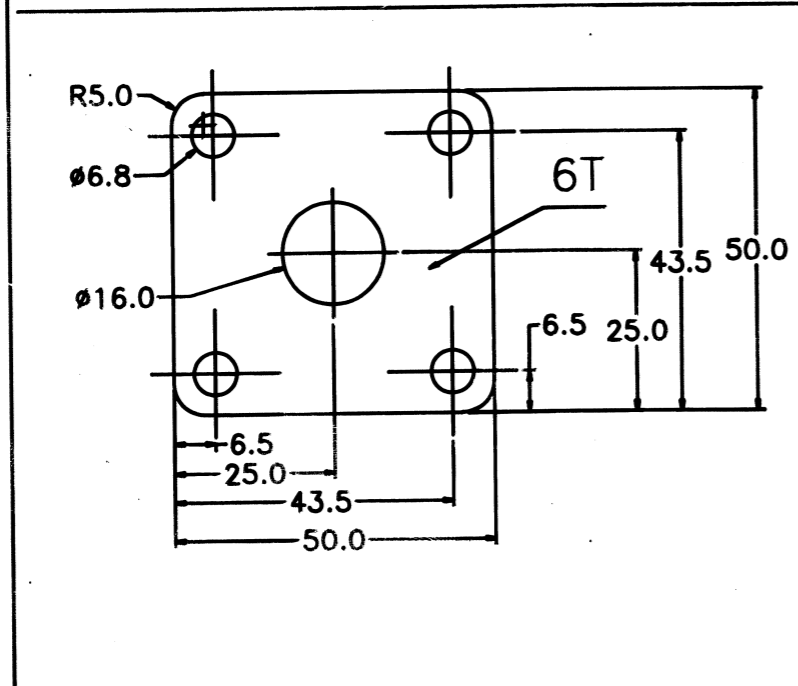
73
25
17

Sheet No: 29 of 44

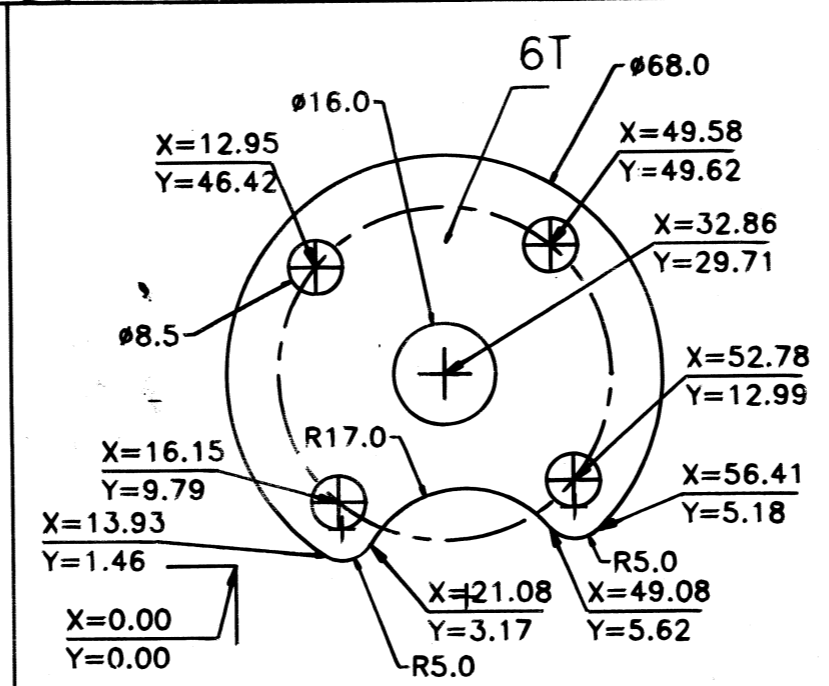


DRG. NO: 610-03-1320-1
CONTROL TUBE ASSY
QTY/VEH: 1 No.

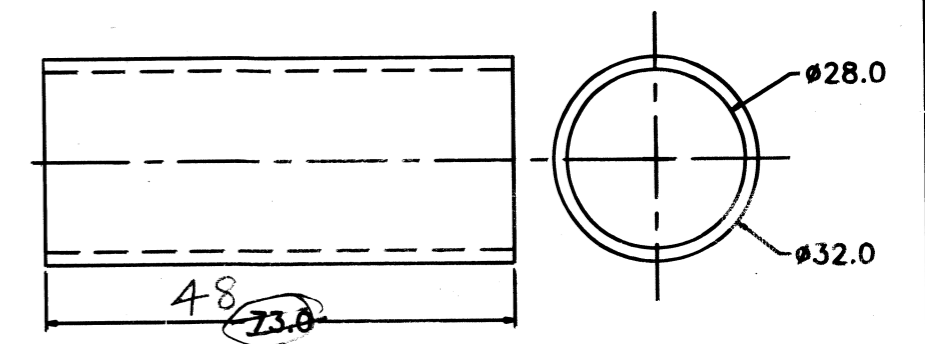
NOTE: (1) ALL DIMENSIONS ARE IN mm.
(A) (2) COATING: PHOSPHATING
9. mm thickness



DRG. NO: 610-03-1321-1
RECTANGULAR FLANGE MTL: ST 34-1079
QTY/VEH: 1 No.



DRG. NO: 610-03-1322-1 MTL: ST 34-1079
CIRCULAR FLANGE
QTY/VEH: 1 No.



DRG. NO: 610-03-1323-1
TUBE MTL: PIPE-IS: 1239
QTY/VEH: 1 No.

SL. NO	DRAWING NO.	NOMENCLATURE	QTY/ASSY	QTY/VEH
03	610-03-1323-1	TUBE	01	01
02	610-03-1322-1	CIRCULAR FLANGE	01	01
01	610-03-1321-1	RECTANGULAR FLANGE	01	01

ORDNANCE FACTORY, MEDAK
Y. S. Ramalingam, J. S. S. P.
Research & Development Section
In-charge of Drawing

ISSUE	APPRD.	NATURE OF AMENDMENT	USED ON QTY/VEH:	1
(B)		Dim 48 width 73	M.M.P.V.	
(A)				
AUTHOR: B. YESU			DRG. NO: 610-03-1320-1/B	
APRD: M.S.P.			SHEET NO: SCALE: WEIGHT:	
CHKD: M.K.			CONTROL TUBE ASSY	
DRWN: M.V.K.			(GEAR BOX ASSY)	
NAME: SIGN: DATE:			MATERIAL: 6mm THK JACKAL	
ORDNANCE FACTORY MEDAK			THIRD ANGLE INSPECTION	