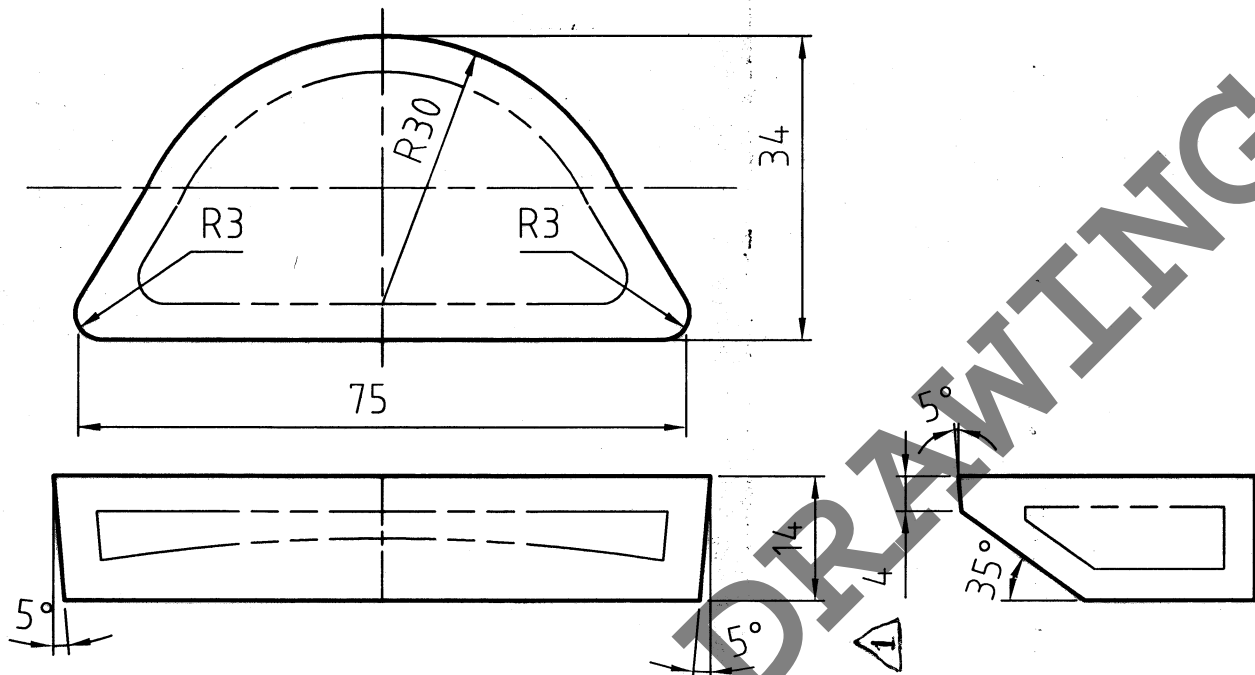


BASE ON M&S.FY.DRG.No.D.H.S.22  
ALL DIMNS.ARE IN m.m.



NOTES:-1. MATERIAL STEEL TO B.S.970 EN14A  
OR IS:1570 20 Mn 2  
2. GEN. MANUFACTURING TOL.±0.5

Note:-These Drawings are only for reference. Actual drawings may be different and shall be issued at the time of procurement.

AWM/T.S. ++sd++

O.C. A.A.I.W ++sd++

AWM/HSF

JWM/CDO

No part of these drawings may be reproduced in any form without prior permission in writing of OFM.

RE-DRAWN ON AUTO CAD BY GULSHAN ON 07/07/2011

I.NO.	NO.OF	MATL.	DESCRIPTION
LIST OF PARTS			
		COMPT.	STORE DRG. NO.
		FORGING DRAWING FOR THRUSTER PLATE	
		DRG.No.OFM.32615A	
DT.	SIG.	DESCRIPTION	DRAWN
AMENDMENTS		TRCD.	M/C
		CHKD.	O.F.MURADNAGAR
			NO.OF SHTS. 1
			SH.T. NO. 1

25/14		DIMNS. 4 ADDED&DRG.No ADVANCED TO OFM 32615A
-------	--	---