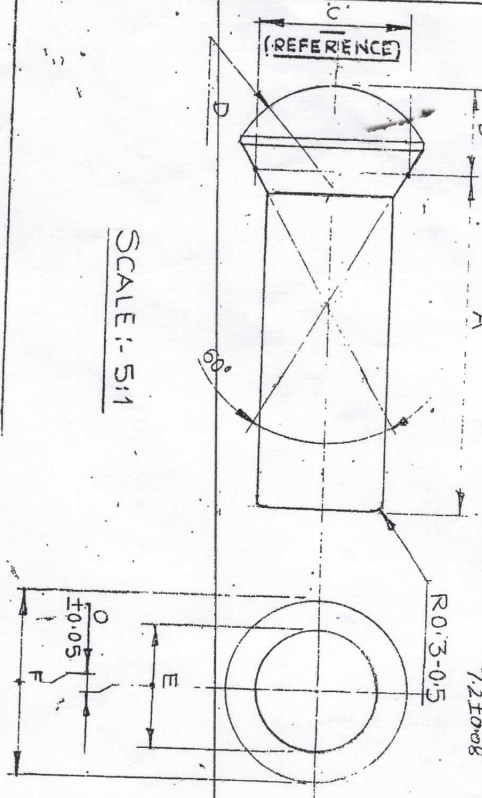
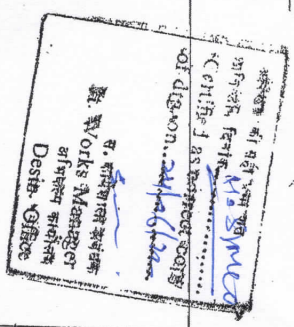


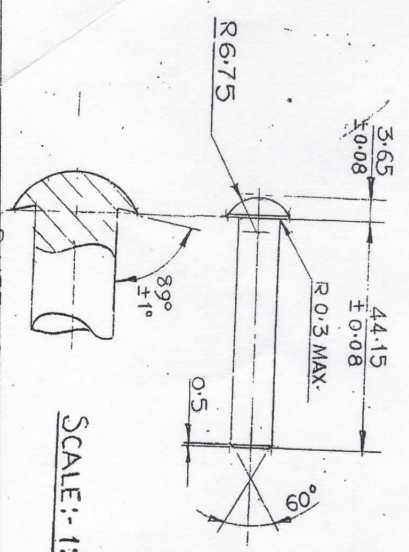
SL. NO.	SKM NO.	DRG. NO.	NOMENCLATURE	DIM. A	DIM. B	DIM. C	DIM. D	DIM. E	DIM. F
1	SKM-876*	2025 Q	RIVET, FRONT GUIDE MEDIUM	±0.03	±0.12	±0.03	±0.035	±0.04	±0.04
2	SKM-876*	25QA	RIVET, FRONT GUIDE MEDIUM	±0.08	±0.12	±0.08	±0.035	±0.04	±0.04
3	SKM-876	025R	RIVET, FRONT GUIDE SHORT	±0.03	±0.12	±0.03	±0.035	±0.04	±0.04



SCALE :- 5:1



SKM-876*

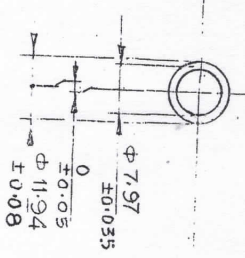


SCALE :- 1:1

MATERIAL :-

BS-570-PT1985
GR-070-M20
(ANNEALED)

IS: 1148-2009 Medium tensile
Head heat treated Annealed Process to Riveting

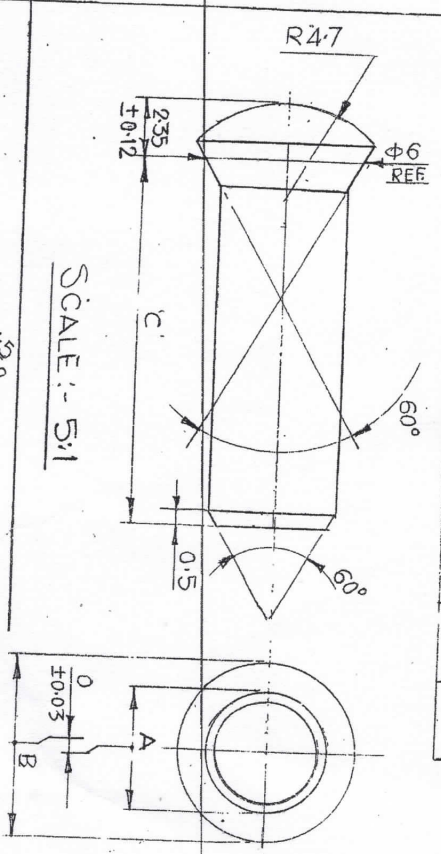


DIMENSIONS ARE IN mm
IMPORTANT DIMS ARE MARKED THUS Ø
INFORMATION MKD. THUS 'T' TO BE MARKED ON
SURFACES MARKED 'G' TO BE GRD

DRG. NO. 025N
RIVET, FRONT BLOCK AND SIDE PLATE (BIG)

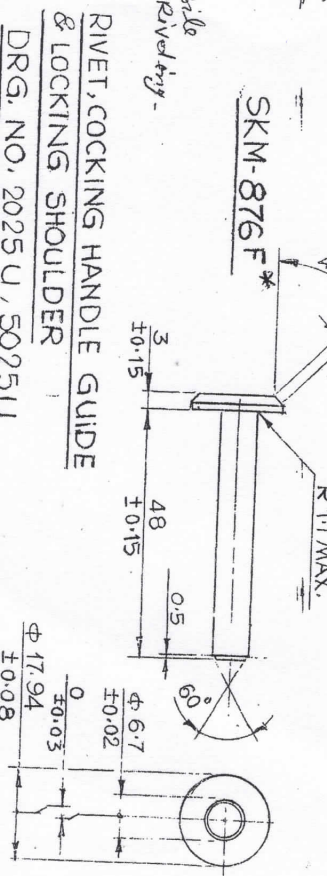
NOTE :-
DRG. NO. INDICATED
AGAINST SKM NO. IS FOR
REFERENCE ONLY

SL. NO.	SKM NO.	DRG. NO.	NOMENCLATURE	DIM. A	DIM. B	DIM. C
1	SKM876	1025M	RIVET, FRONT BLOCK & SIDE PLATE	±0.035	±0.08	±0.08
2	SKM-876	1025W	RIVET, COCKING HANDLE GUIDE & LOCKING SHOULDER	±0.03	±0.08	±0.08
3	SKM-876	2025V	RIVET, LOCKING SHOULDER	±0.03	±0.08	±0.08



SCALE :- 5:1

SKM-876 F*



SCALE 1:1

GUN MACHINE, 7.62mm (MAG)

SKETCH FOR RIVETS

SCALE 1:1 & 5:1

SMALL ARMS FACTORY,
KANPUR.

DRAWN	TRACED	CHKD
DATE	16/06/2011	
APPROVED		

DRG. NO. SKM-876* TO SKM876

D.A. NO. 81/16
M03/2020
M 05/2020