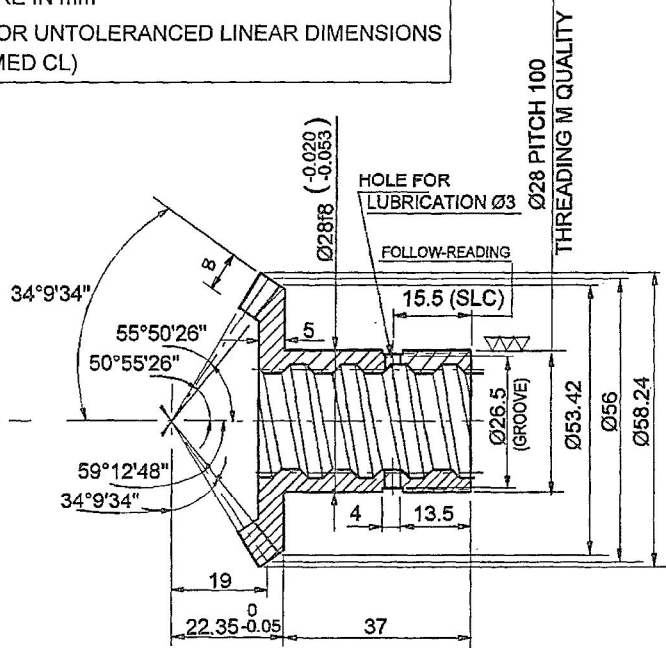
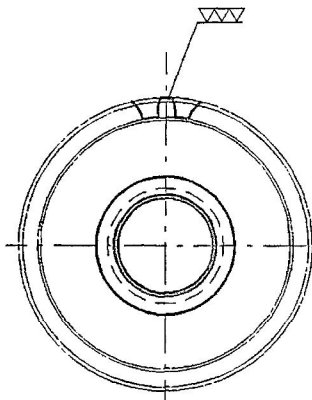
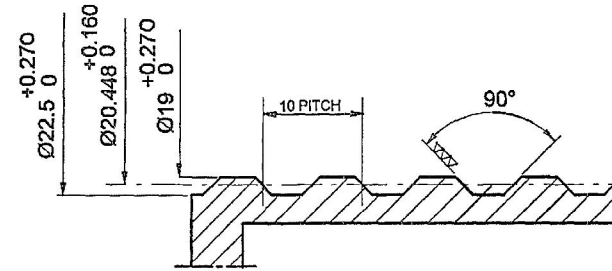


DS CAT No
3020-007524

DRG CONVENTIONS CONFORM SP: 46-1988
DIMENSIONS ARE IN mm
TOLERANCES FOR UNTOLERANCED LINEAR DIMENSIONS
REFR IS:2102 (MED CL)



DETAIL OF THE THREADING



SCALE 2:1

- NUMBER OF TEETH — 28
- COEFFICIENT — 2
- ANGLE OF PRESSURE — 20°
- CHARACTERSTIC OF A TOOTH PROJECTION — 2
- HOLLOW — 2.3
- HEIGHT — 4.3

NOTE :- TO BE MANUFACTURED MATED HELD & ISSUED TOGETHER WITH PINION ELEVATING DS CAT No 3020-007525 (AMG- 72815) UNDER COMPOSITE CAT No M1/ IMAJ 0072 CN.

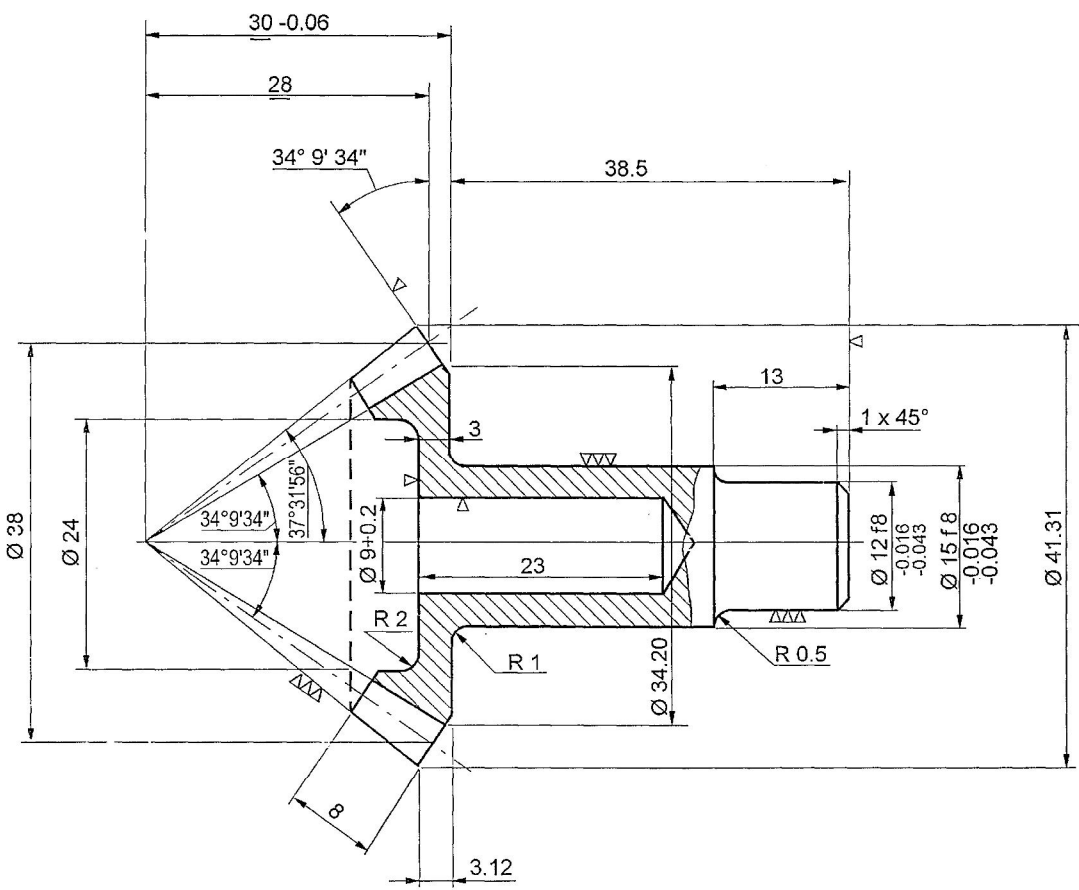
IN INDIA SAFETY TREATMENT MO 52 VARNISH PREPATED AS PER BOFORS SPEC B-4060 E.

**MATTER : - BRONZE UZ 23 A4
STATE OF SURFACE :- VV 63 VVV 32
GENERAL MARGINS :- ± 0.1 TILL 10 J 13 AFTER 10**

				DRN:	CHD:	ASSY DRG No: 1015-001513	CQA(W), JABALPUR
				SCANNED: MK	CHD: <i>Prasanna</i>	DATE:	
6-2-17	19572-W	F/5-8	NOTE ADDED:	AHSP		SCALE: 1:1	
24-8-16			SCANNED & PRINTED WITHOUT CHANGE	J.T.O (G)	DO FOR CQA(W)	ESTD mass 180 g	
DATE	AUTHORITY	ZONE	NATURE	MATERIAL: BS: EN 12163 DESIGNATION CW 451 K CONDITION 'R' 460 OR IS: 7811-1985		DESIGN No	
AMENDMENT				PROECTIVE FINSH:		PART No	
PREV DCs: 9536-W, 10495-W, 10855-W, 11443-W, 12378-W, 12561-W, 14147-W, 14564-W, 14714-W, 15055-W, 18130-W, 18812-W, 18940-W & 19174-W & 19450-W DT. 26-09-15				GEAR BEVEL गियर बेवल		AMG No 72530	
DRG SEALED: 11443-W DT 22-02-67				ELEVATING GEAR 81mm LIGHT MORTAR		DS CAT No 3020-007524	
				DO CQA(W)			

DS CAT No.
3020-007525

DRG CONVENTIONS CONFORMS SP:46-1988, TOLERANCE FOR UNTOLERANCED LINEAR DIMENSIONS REFER IS:2102 (Med Cl.)
DIMENSIONS ARE IN mm



NOTE :-

1. TO BE MANUFACTURED MATED HELD AND ISSUED TOGETHER WITH GEAR ELEVATING DS CAT No. 3020-007524 (AMG-72530) UNDER COMPOSITE CAT No. MI/IMA/0072 CN
2. IN INDIA MO S2 VARNISH PREPARED AS PER BOFORS SPEC B-4060 E TO BE APPLIED ON ALL EXTERNAL SURFACES EXCEPT THE INNER SURFACE OF Ø 24 CAVITY AND Ø 9 BLIND HOLE

NUMBER OF TOOTH _____ 19
COEFFICIENT _____ 2
ANGLE OF PRESSURE _____ 20°

CUTTING OF GOOD QUALITY CHARACTERISTIC OF 2° TOOTH PROJECTION
HOLLOW 2.3
HEIGHT 4.3

MATTER - A 65
STATE OF SURFACE ∇ 125 ∇∇ 63 ∇∇ 32
GENERAL MARGINS J 13
SAFETY PARCOMOLY DATA x 1.5

				DRAWN:-		CHD:-		ASSY DRG:- 1015-001513		CQA(W), JABALPUR	
				SCANNED:- PKA		CHD:- <i>Risham</i>		DATE:-20-12-63			
				H O S		DO		AHSP			
								SCALE:-2 : 1			
								ESTD mass:- 80 gm			
				DATE		AUTHORITY		ZONE		DESIGN No.	
				AMENDMENTS		SIG AHSP		SIG DO		PART No.	
				PREV DC Nos:- 9536-W,10495-W,11443-W,12378-W,12561-W,14162-W,14588-W,15055-W,15443-W,16809-W,18812-W,18940-W & 19174-W DT 11-12-09		MATERIAL:- BS : 970 PART 1, 1983, Gde 080 M 50		PROTECTIVE FINISH:-		AMG No 72815	
				DRG SEALED :- 11443-W DT 22-2-37		<h1>GEAR BEVEL</h1> <h2>81 mm LIGHT MORTAR</h2> <p>गियर बेवल 81 एम एम लाइट मोर्टार</p>				DS CAT No.	

DO CQA(W)