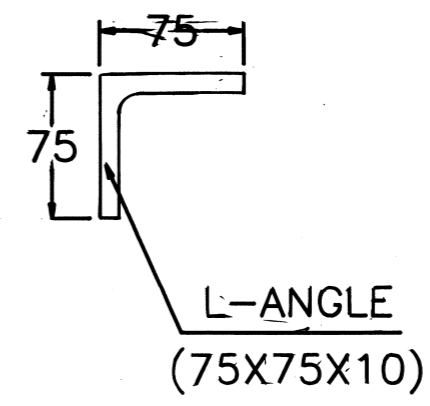
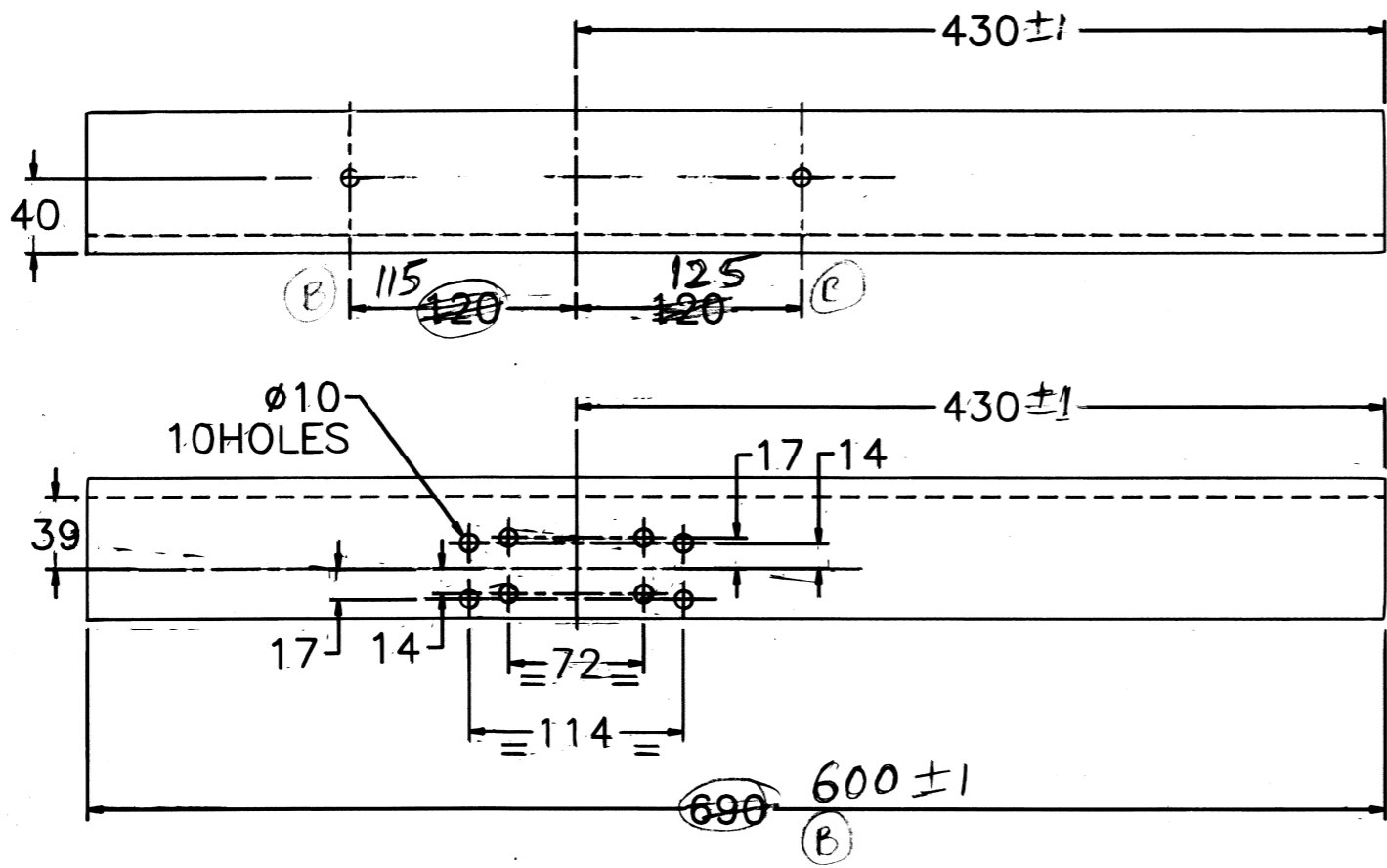


ORDNANCE FACTORY, MEDAK
 Madhavaram - 502 205 (A.P.)
 Research & Development Section
 Issue of Drawings
 Cont. No. Date:
 Issued To:
 No. of Prints:
 HOS R&



OK/05

NOTE:

1. ALL DIMENSIONS ARE IN MM.
2. UNSPECIFIED LIMIT DEVIATIONS ARE ± 0.1 mm.
3. MATERIAL: ANGLE 75X75X10- IS: 808
4. COATING: PHOSPHATING 9 microns thick
5. HOLES ARE TO BE MADE PREFERABLY ON CNC M/C

| | | | | | |
|------------------------|----------|---|------------------------|-----------|--------|
| (P) | 13/12/03 | Dim 115, 125, 600 was 120, 120 & 690 respectively | USED ON | QTY./VEH. | 01 |
| (A) | M. V. K. | Intech. 1145 POINT NO. 3 & 4 ARE ADDED | H.M.P.V. | | |
| ISSUE | APPRD. | NATURE OF AMENDMENT | | | |
| AUTHD. | B. YESU | DRG. NO: 620-05-1145-1/B | | | |
| APRD. | M.S.P | ANGLE (FOR A.B.C.-CONTROL VALVE MOUNTING) | | | |
| CHKD. | M.K. | | | | |
| DRWN | M.V.K. | SHEET NO | | SCALE | WEIGHT |
| | NAME | SIGN | DATE | | |
| ORDNANCE FACTORY MEDAK | | | MATERIAL: | | |
| | | | THIRD ANGLE PROJECTION | | |

05/04