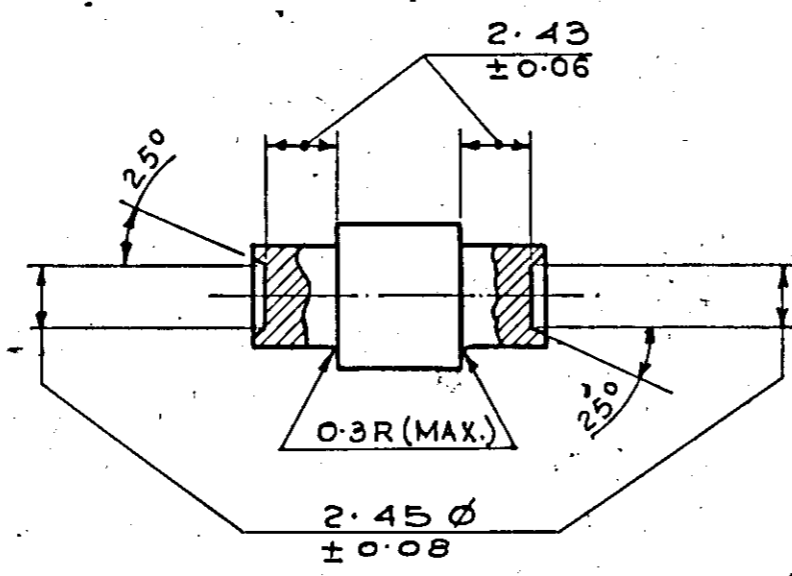
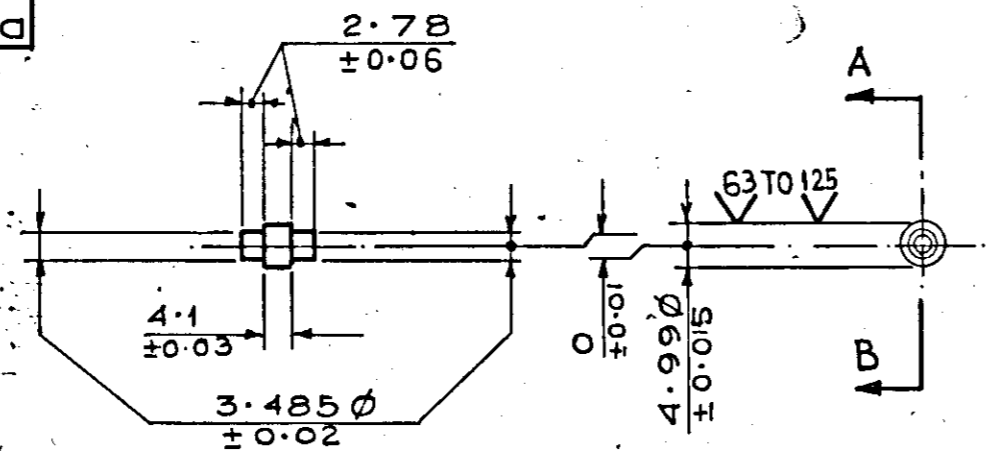


D.S. CAT. NO. 5315-001511

DIMNS. ARE IN mm.



PARTIAL SECTION AB
SCALE :- 4:1

NOTE :-
ACCEPTANCE STANDARDS FOR MACRO ETCH TEST AND MICROSCOPIC DETERMINATION OF NON-METALLIC INCLUSIONS FOR STEEL
i) MACRO ETCH TEST AS PER ASTM E 381 WITH ACCEPTANCE STANDARD AS C2, R2, S2.
ii) NMIR TEST AS PER IS: 4163-82.

250

DRN.		CHD.	TRD. <i>Sulish</i>	COMP. <i>Gl Deep</i>	ASSY.	1005-006636 & 1005-006870 ✓	
SCALE :- 1:1; 4:1		MFG./INSP. INSTRUCTIONS			EST MASS.		
07.05.2002		25355-SA	RECORD OF RECEIPT CANCELLED AND DRG. SEALED AFRESH.		AHSP		
23-8-95		23061-SA	DIMN. 0.3R (MAX) WAS Z(0.3), NEG. RE-TRACED AND DRG. RE-SEALED AS A RECORD OF RECEIPT. PREVIOUS D.C. NOS. 15553-SA, 16511-SA, 18057-SA, 19720-SA, 19867-SA, 21670-SA, 21775-SA & 22278-SA		CQA(SA) ICHAPUR		
DATE AUTHY.		BRIEF RECORD	ZONE	I/C; D.O.	G.O.	DGNR'S REF.	
SEALED :- D.C. NO. 25355-SA - DT. 07.05.2002		SIGN.		MATERIAL		BS: 970 PT. 1: 1983 Gr. 070 M55 ✓	
NOMENCLATURE		LINK CROSS PIECE (LONG)		H.T./HARDNESS		210 - 250 HB ✓	
				PROTECTIVE FINISH		PHOSPHATE TO SPECN. JSS: 0465:01-1988 CLASS II, OIL FINISH. ✓	
				DRG. NO.		A1338	
				D.S. CAT. NO.		5315-001511 ✓	