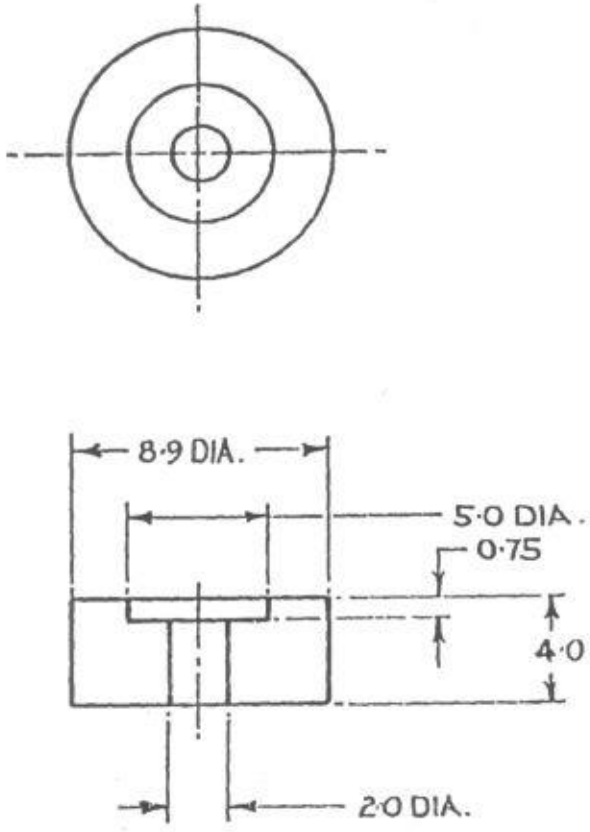


57

FOR EXPLANATION OF DIMENSIONING ETC, SEE CQA(I)GUIDE No.001-1992
THIRD ANGLE PROJECTION
DIMENSIONS ARE IN MM.

D.C.(I)-0017-I(P), 1678-I, 2532-I, 3097-I, 5089-I, POLYESTER NEGATIVE PREPARED AT CQA(I) D.DUN
5787-I.
PREPARED BY:- *Prasanna*
CHECKED BY:- *Subhankar*. DATE:- 1-10-93



FOR TRADE JEM
Date of issue *08/04/94*
Rgp

TRACED AT CII DEHRADUN
TRACED BY - DARBARILAL
CHECKED BY:- *Prasanna*
DATE:- 18.1.72

			DRAWN	TRACED	APPROVED
			Sd	Sd	Sd
			CHECKED		FOR DIRECTOR
			Sd		IRDE
					DEHRA DUKH.
			SCALE:- 4/1		DATE:- 15 3.63.
D.C.-5787-I. POLY. NEG. PREPARED & NEW COPY SEALED IN REPLACEMENT OF EXISTING ONE.			5-4-93.		DRG No
AMENDMENTS		SIG	DATE		IRDE 68/50
MATL:- EBONITE ^(a) , POED - M 101 GDE.A & B.					CAT/PART No
FINISH:- CLEAN.					5975-000816
INSULATOR, BUSHING					SHTS.
					SHT.