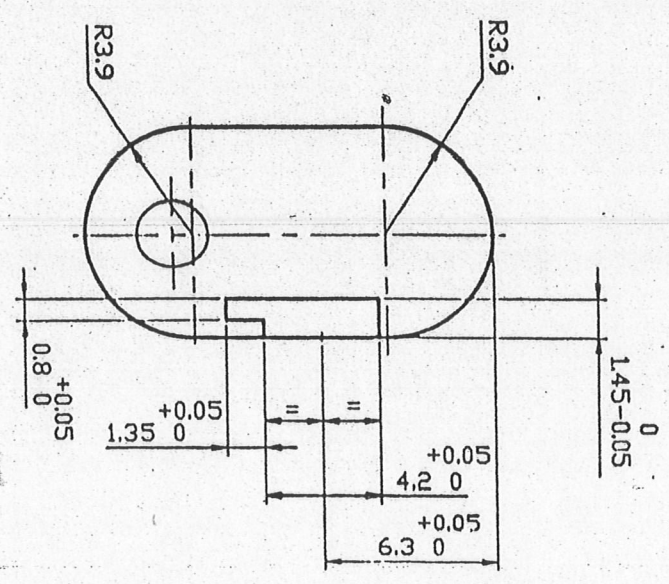
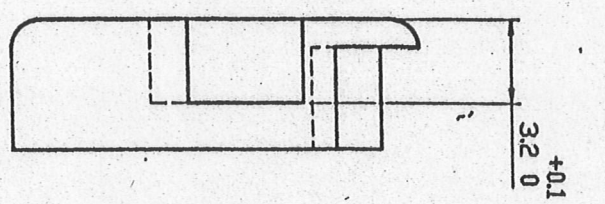
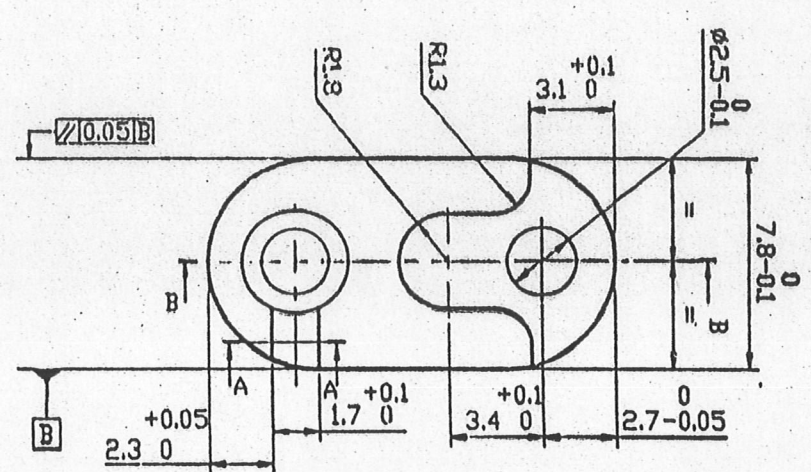
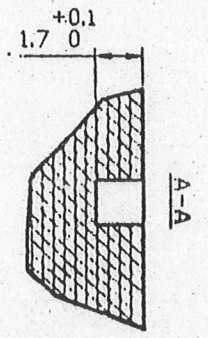
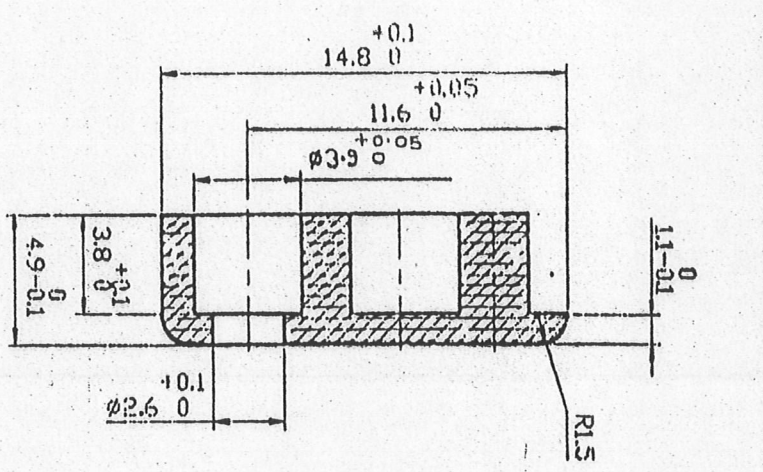


INDIAN STANDARDS CONVERSION GUIDE TO INDIAN S.I. UNITS IN MILLIMETERS UNLESS OTHERWISE STATED



NOTE:
UNEVEN SURFACE FLASHES OR ANY OTHER DEFECT DUE TO MOLDING IS NOT PERMITTED.

DRG No.	5111012	010	013	010	011	012	010	01A
DESIGN AUTHORITY	ARDE							
DATE	10/12/98							
APPD.	SABLE							
DATE	15/6/98							
SCALE	5:1							
EST. MASS	0.37 g							
TITLE	SHUTTER							
MATERIAL	POLYCARBONATES (TRANSPARENT)							
PROTECTIVE FINISH								
BRIEF RECORD								
ZONE								
SIGN.								
PART No.	DS CAT. No.							AHSP

1 2 3 4 5 6 7 8