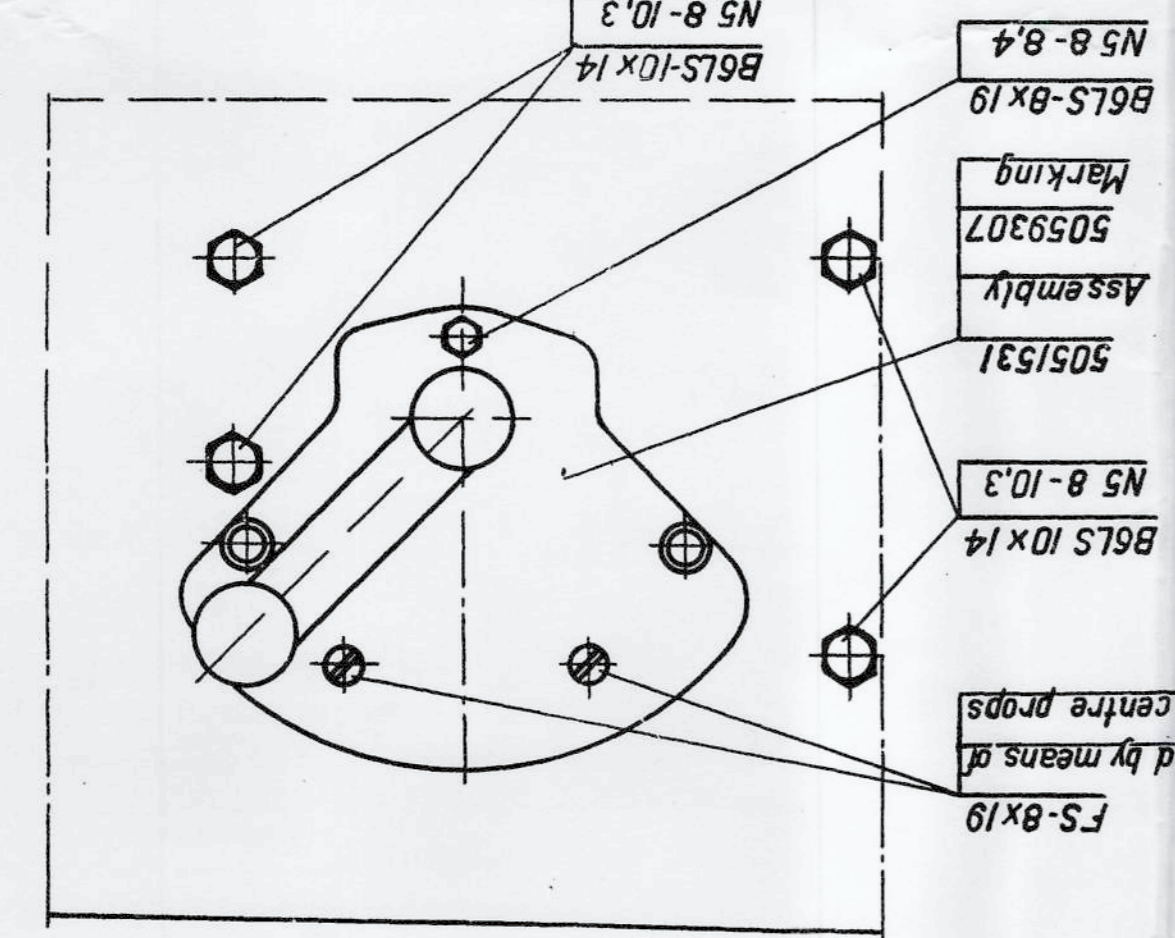
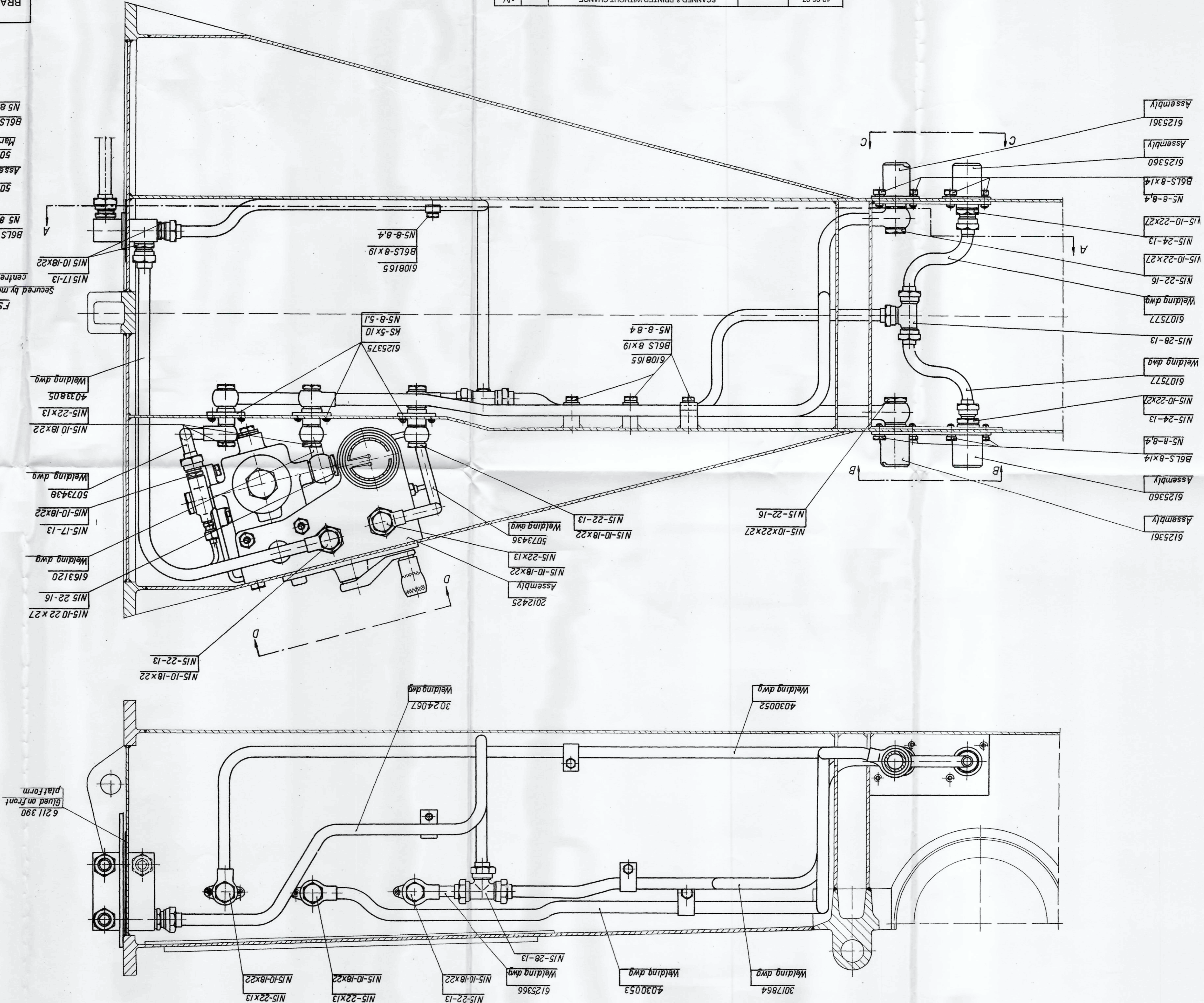


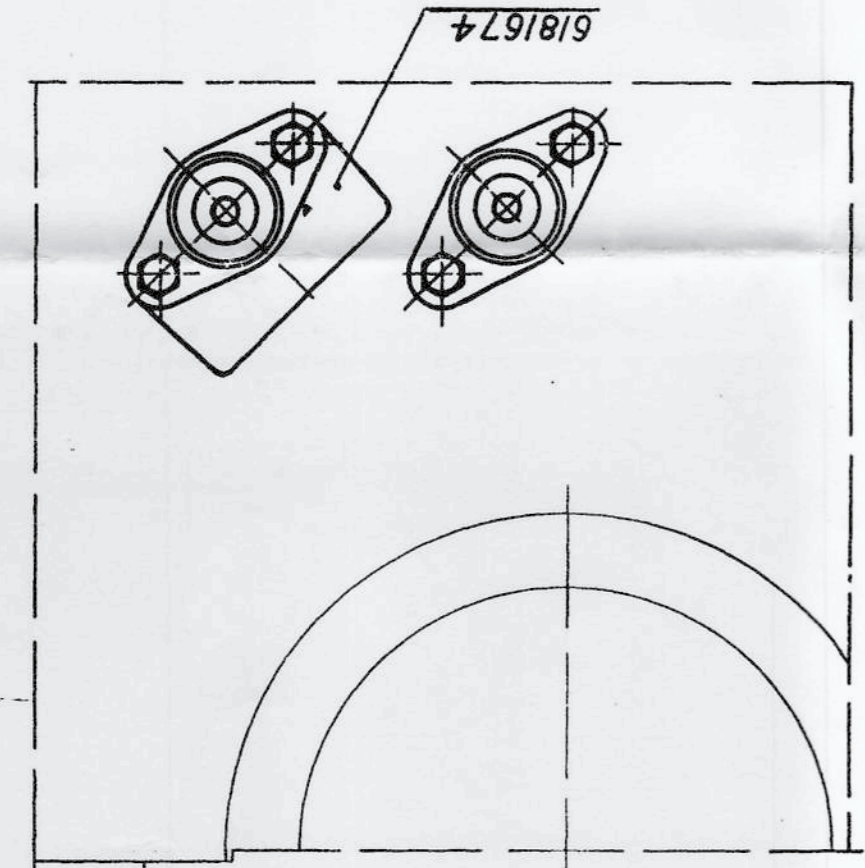
DRG SEALD : 8645-W DT 23-1-63	PROV	SCANNED PKA	CHECKED
12-06-07	DATE	AUTHORITY	AMENDMENTS
SCANNED & PRINTED WITHOUT CHANGE	SIS	ASBP	DO

C O A (W), JABALPUR

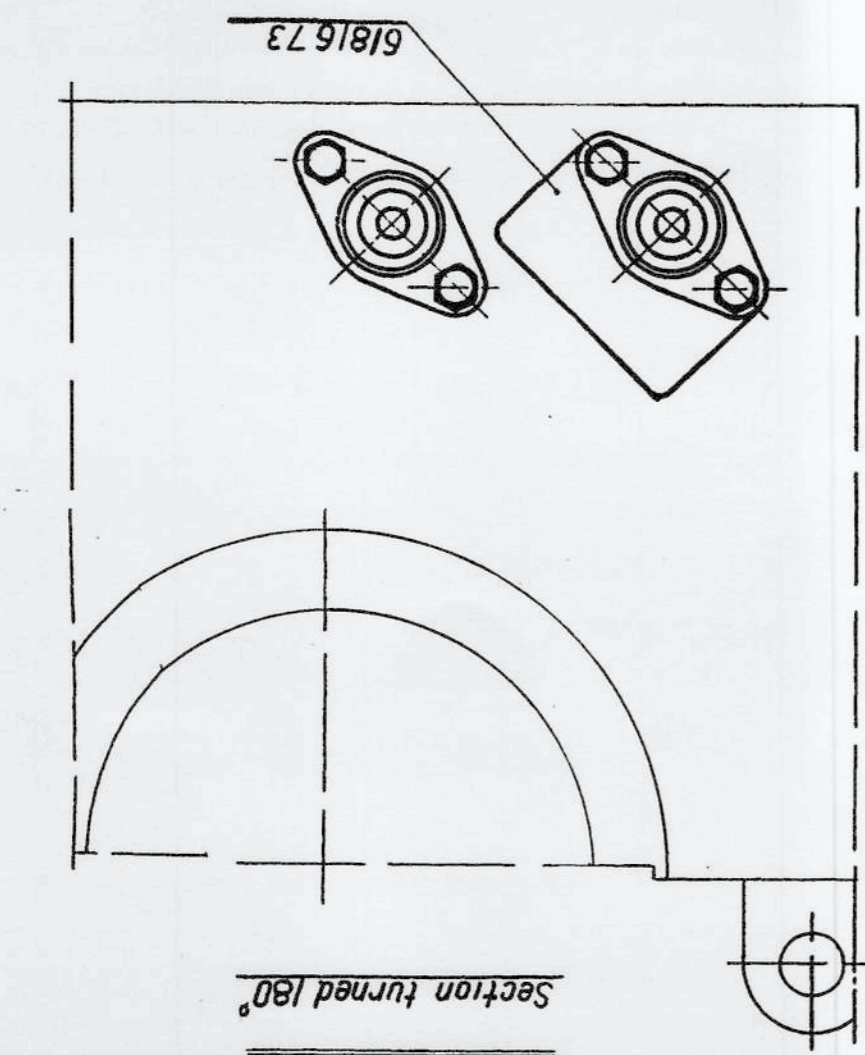
5-988	5-988	10/1	5-988	10/1	5-988
40 mm A GUN L / 70	40 mm A GUN L / 70	40 mm A GUN L / 70	40 mm A GUN L / 70	40 mm A GUN L / 70	40 mm A GUN L / 70
B3	B3	B3	B3	B3	B3
3029310	3029310	3029310	3029310	3029310	3029310
AKTIEBOLAGET BOFORS	AKTIEBOLAGET BOFORS	AKTIEBOLAGET BOFORS	AKTIEBOLAGET BOFORS	AKTIEBOLAGET BOFORS	AKTIEBOLAGET BOFORS



Section turned 180°
D



C



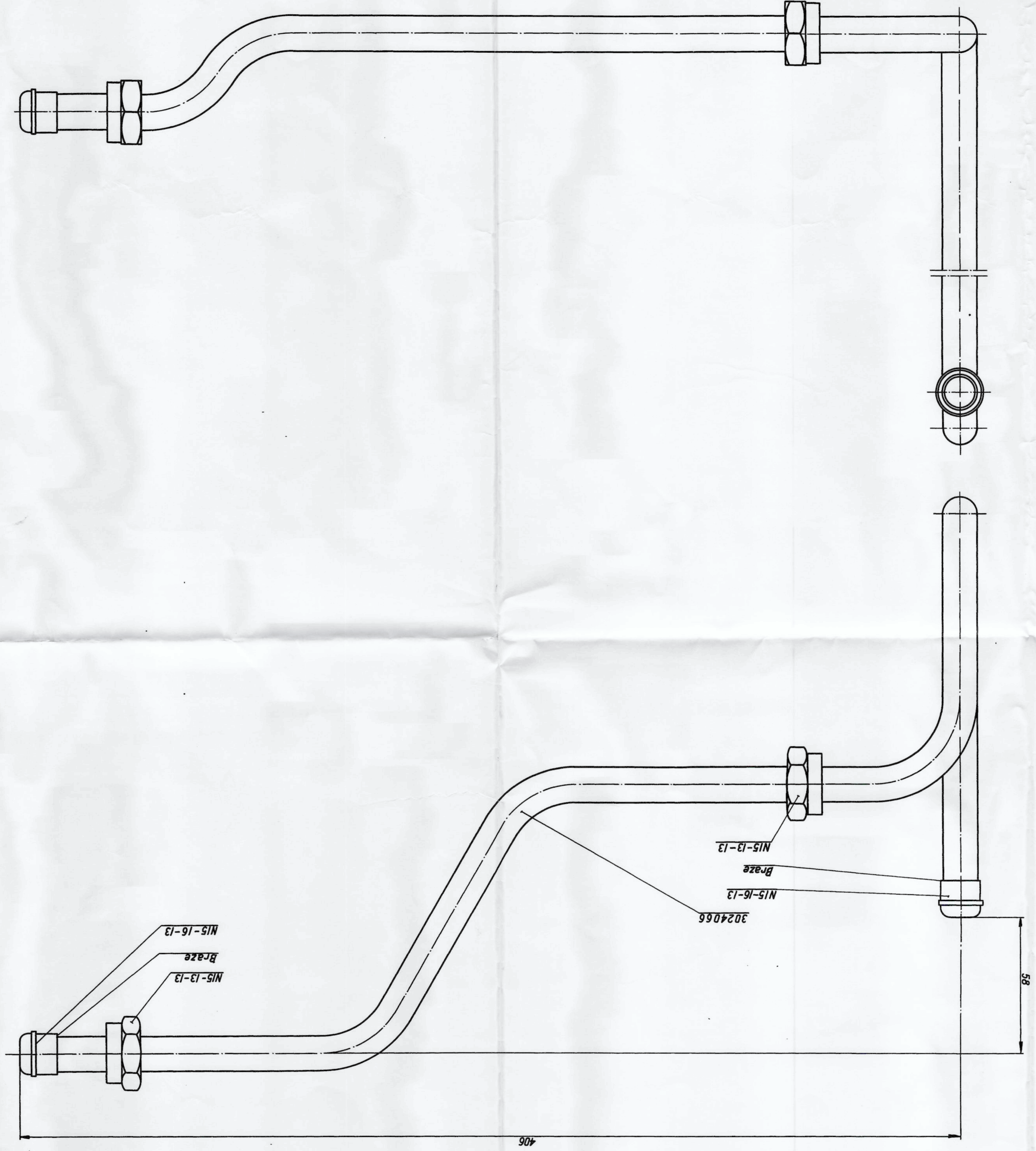
Section turned 180°
B

6211390
Blued on front
platform

A

10/1	5-988
------	-------

16-9-79 MILS/RATED CL NEG REPLACES
 YR RAN/AR/ H/W K
 CHECKED GID/ MAN 19/05/80 ANSR



Andr. nr	Andr. no	Begård av	Dato	Ansvarig	År	Antal

7814-W DRG BEADED PROV
 8-2-81
 PREV DC No 9425-W/DT 8-5-84

FOR EXPLANATION OF DIMENSIONING, ETC., SEE CLARK, NOTE SHT NO.1
 FIRST ANGLE PROJECTION
 DIMENSIONS ARE IN MM.

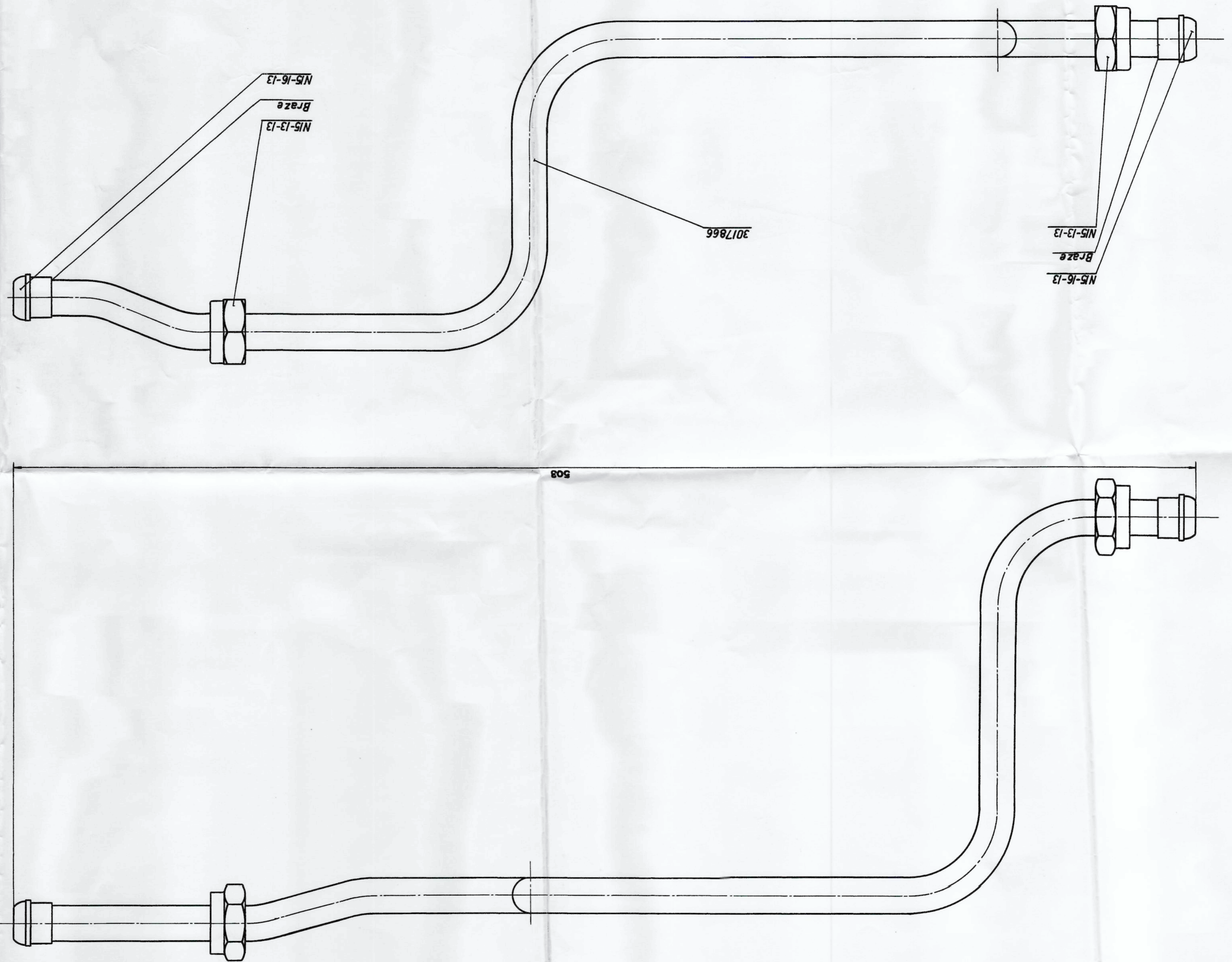
INDIAN REFERENCES	DESIGN NO.	DESIGNATION
	CIA/W/PN/799	PIPE REAR BRAKE CYLINDER
	IAN 269 8A	

40 MM A.GUN L.70
 Brake installation
 Pipe, Welding dng.
 5-898
 1012
 DT
 3024067
 Cmm. 24x4 28-5-59 1:1
 -B- AKTIEBOLAGET BOFORS -B-

16-9-79 DILAPIDATED CL NEG REPLACED
 CHECKED *Mt* CID'MAN *M. Manoj* ADSP

2
 F

FOR EXPLANATION OF DIMENSIONING, ETC., SEE CIARM NOTE 5HT IN MM.
 FIRST ANGLE PROJECTION
 DIMENSIONS ARE IN MM.



7614-W DRG SEALED PROV
 9-2-61
 PREV DC NO 9425-W/DT 8-5-64
 18883-W
 29-9-03 HINDI NOMEN ADDED.

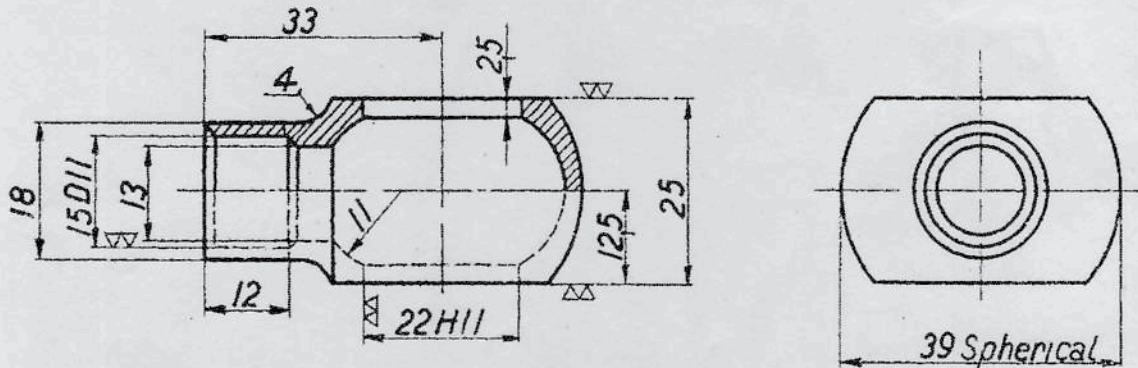


INDIAN REFERENCES	
DESIGN NO	CIA/MPN/707
PART NO	LAN 2675A
DESIGNATION PIPE MAIN FRONT BRAKE CYLINDER	

3017864
 40 MM A GUN L 70
 Brake installation
 Pipe, Welding dwg.
 5-938
 10/2
 1
 1:1
 13-6-52
 Kga
 13-6-52
 1:1
 3017864
 AKTIEBOLAGET BOFORS

FOR EXPLANATION OF DIMENSIONING ETC. SEE C.I.A.R.M. NOTE SHEET No 1
 FIRST ANGLE PROJECTION DIMENSIONS ARE IN mm

TOLERANCE	AVMATT
15 D 11	+ 0.050 + 0.160
22 H 11	0.000 + 0.130



ALT MATL :-

BS: 12163-1998 DESIGNATION CW 710 R CONDITION R 490 OR
 IS: 320-1980 GRADE HT 1, CONDITION COLD WORKED AND STRESS RELIEVED

18-01-2018	19644-W	NOMENCLATURE AMENDED.		
21-10-17	19619-W	ALT MATL AMDT.		
27-04-07		SCANNED & PRINTED WITHOUT CHANGE		
DATE	AUTHORITY	AMENDMENTS	SIG AHSP	SIG DO

PREV DC :- 7814-W & 12532-W dated 03-07-69

DRG SEALED : 7814-W dated 09-02-61
 PROV

SCANNED RC

CHECKED

C Q A (W), JABALPUR

					40 mm	CONNECTOR BANJO				Verkt.nr
					A. A. GUN					0.08
			5-938		L/70		BML 20			
			10/6		Brake inst>		Material	Behandl.	Ber. vikt !	
							Ritad	Kontr.	Datum	Senka
							Kga	31-348	1/1	
										6108130
DF.	Nr	Grupp	DF.	Nr	Grupp	Föreg.nr.				

AB Bofors ägarerätt till denna ritning är skyddad genom lagen av den 30 maj 1919. Konstruktion eller utövningen för sig utan bolagets medgivande beaktas, kopieras eller mångfaldigas, bringas till ut förande eller i annat sätt utnyttjas.



AKTIEBOLAGET BOFORS

