

**FOR TRADE SUPPLY ONLY**  
**5 SAMPLES TO BE APPROVED BEFORE BULK SUPPLY**

MATERIAL SPECIFICATION

- 1) CORRUGATED PAPER BOARD WITH COMBINATION OF B FLUTE AS PER PARA 2.1.1 OF IS 2771 (PT 1). THE CORRUGATED PAPER BOARD BOX SHALL BE MANUFACTURED FROM KRAFT PAPER OF APPROPRIATE SUBSTANCE.
- 2) AVERAGE PUNCTURE RESISTANCE SHOULD BE TESTED AS PER IS:4006 PART II WITH MINIMUM 275 BEACH UNITS.

**CAPACITY OF THE BOX-72 Nos. COMPONENT**

CONTRACTOR'S INITIAL TO BE MARKED OR STENCILLED

DIMENSIONS ARE IN mm.

**THIS DRG. SUPERSEDES TO SK-9468**

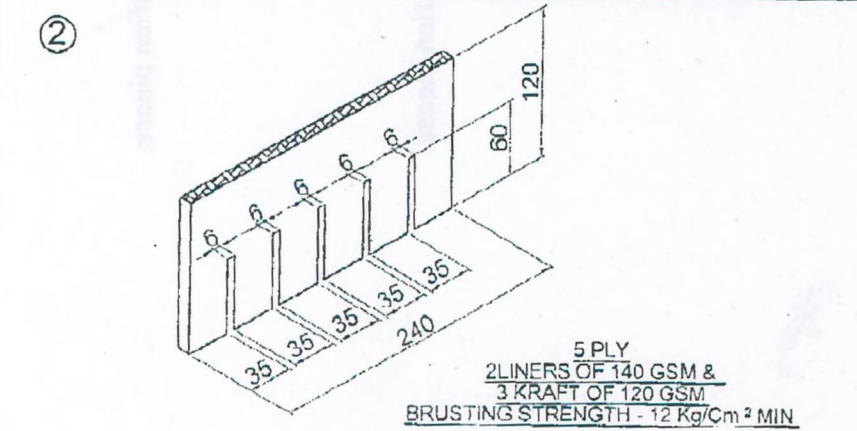
3	3	SEPARATOR	AS STATED
2	20	CROSS LAP LENGTH & WIDTH WISE	
1	1	PACKING BOX	
ITEM No.	NO. OF	DESCRIPTION	MATERIAL

LIST OF PARTS			
2009	DATE	INT.	ORDNANCE FACTORY KANPUR
PREP.D.	25/10	B.S.SENAPATI	
CHKD.			CORRUGATED PAPER BOARD BOX
HOSIADO			FOR BODY SHELL 30 mm BMP/HEI.
DOI/ACO			30 mm HEI., 30 mm GH <sup>2</sup> SA & 10 mm HEINAVA. 30 mm AP
			ASSLY. & STORE DRG. No.

ये दस्तावेज केवल  
 आर्य समाज के लिए ही है  
 यह दस्तावेज केवल  
 डिजाइन ऑफिस  
 ORD. FY. KANPUR

दिनांक 24 April 2017  
 DATE

क. का. प्र. वि. वि.  
 कानपुर



U.A. No.	DETAILS	INTL.	MATERIAL
DATE			AS STATED
	REVISIONS		

DRG. No. SK-9468/A

SCALE: 1:4 ST- 3 OF 3