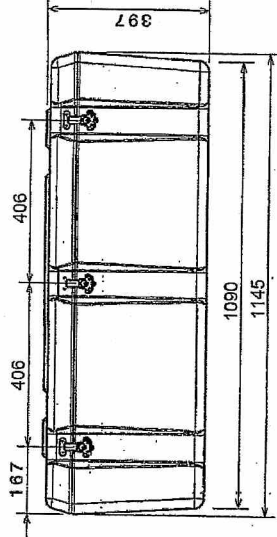
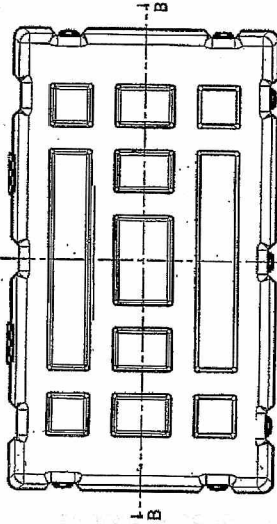


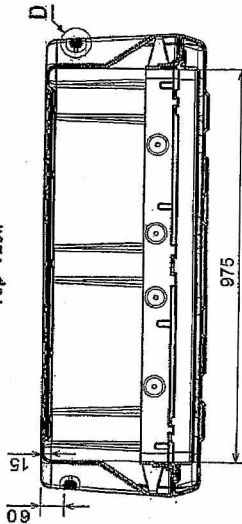
Bottom view



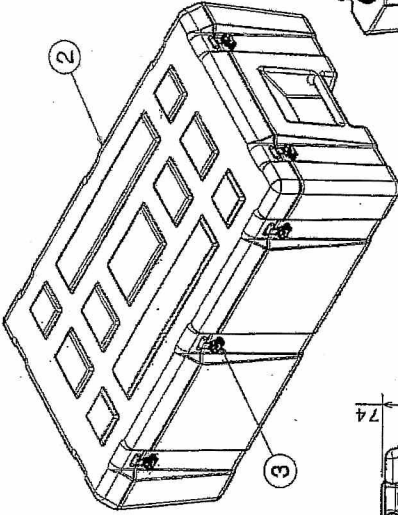
Front view



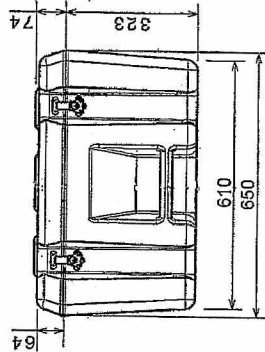
Top view



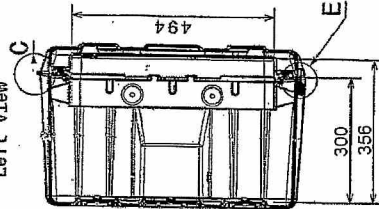
Section view B-B  
Scale: 1:12



Isometric view  
Scale: 1:12



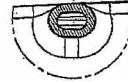
Left view



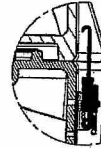
Section view A-A  
Scale: 1:12



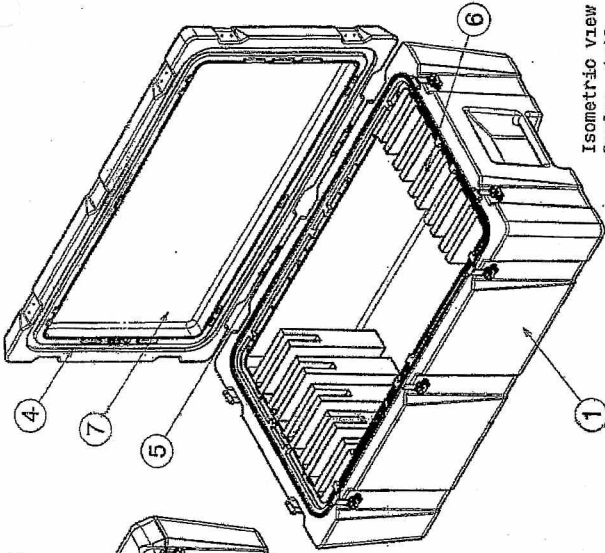
Detail C  
Scale: 1:3



Detail D  
Scale: 1:3



Detail E  
Scale: 1:3



Isometric view  
Scale: 1:12

- Note:-**
- 1.Box Material : LLDPE
  - 2.Box Colour : Olive Green
  - 3.Box General Tolerance :-/± 10mm
  - 4.Manufacturing Process : Roto Moulding
  - 5.Gasket Material : XLPE (Black Colour)

SR NO	PART NAME	MATERIAL	QTY.
8	CORRUGATED BOX	PP	1
7	SHEET	PLASTIC	1
6	FOAM	XLPE	1SET
5	HINGE	MS	2
4	GASKET (SEAL)	XLPE	1
3	LATCH	MS	7
2	LID	LLDPE	1
1	BASE	LLDPE	1

SUB: PACKING BOX FOR 10 NOS.
 SCALE: NTS  
 STORE DRG.NO. \_\_\_\_\_  
 OPERATION NO. \_\_\_\_\_  
 FOR: TRICHY ASSAULT RIFLE  
 DES.REF.NO. \_\_\_\_\_  
 DRG. TAR-K-9024\*  
 No.: \_\_\_\_\_  
 ORDNANCE FACTORY  
 TIRUCHIRAPPALLI-16.

INTERNAL SIZE: 975X500X(300+56)  
 VOLUME: 180L  
 FOR MORE DETAILS PLEASE REFER DWG FILE.  
 FOAM WILL CHANGE AS PER RIFLE

ON CONTRACT COPY

27/5/21  
 2

A B C D E F G H