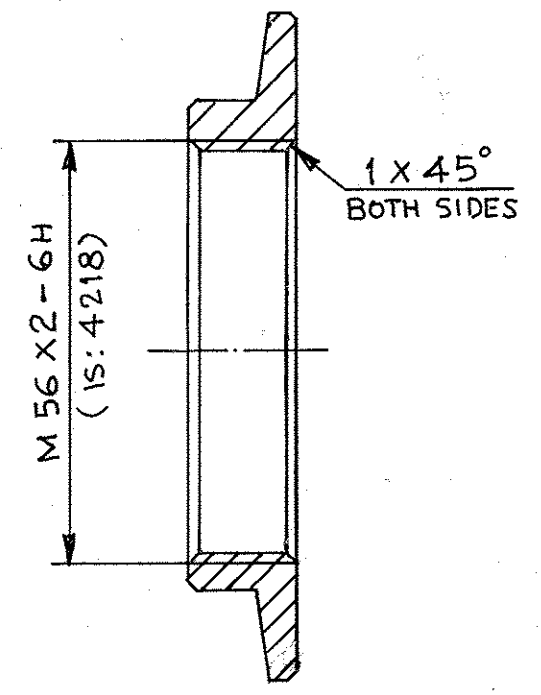
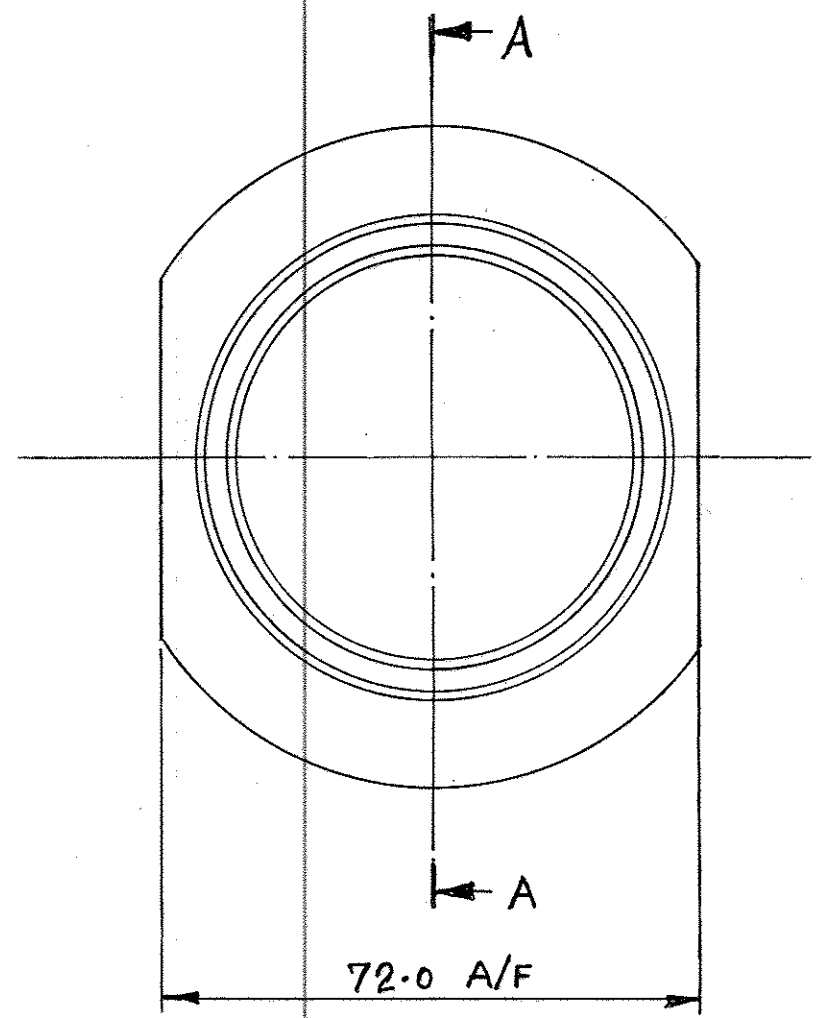
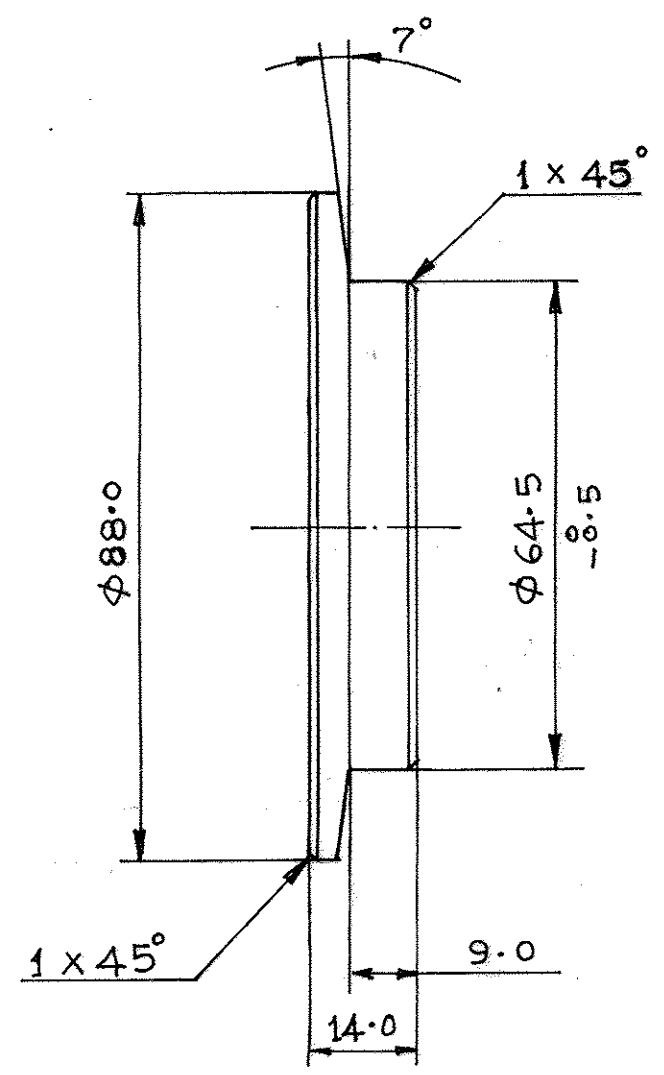


DRAWING CONVENTIONS CONFORM TO IS:696
 DIMNS ARE IN M.M. UNLESS OTHERWISE STATED
 GEN. TOL. MEDIUM/COURSE/FIN CLASS TO IS: 2102
 DRG. No. ARDE 2121
 DET. No. 52 SHTS 3
 PART No.

NOTE :- 1) ALL SHARP EDGES AND BURRS ARE TO BE REMOVED.



SECTION A-A

DRN. KHETMAR	CHD. Sd/-	TRD.	COMP.	ASSY DRG. ARDE 2121/54 SHT.1
CD Sd/-	PASSED Sd/-	SCALE : 1:1	DESIGNED AUTHORITY	
APPROVED Sd/-	Sd/- FOR DIRECTOR	EST MASS:	ARDE PUNE-41021	
R No.	DATE:	AUTHORITY	BRIEF RECORD	ZONE
DRG. SEALED (PROV)	Sd/-	19 JULY 90	CRE (AA)	MATL: STEEL TO IS: 2004 CLASS 2/2A NORMALISED CONDITION OR IS: 226 Fe 410-5
				PROTECTIVE FINISH: PHOSPHATED TO IS: 3618 CL 'B'

TITLE:

FLEXIBLE DRIVE ADAPTOR

DRG. No. ARDE 2121
 DET No. 52 SHTS 3 SHT. No. 3
 PART No.
 D.S. CAT. No.
 A.H.S.P.

Comp - asif Ghosh 12/06/02

certify copy 21-9-90

checked on 5-4-91 U.S.P. K...

TRACED FROM ORIGINAL WITHOUT ANY CHANGE AT O.F.D.C S.D. LAL 2-11-90