

First use

Reference No.

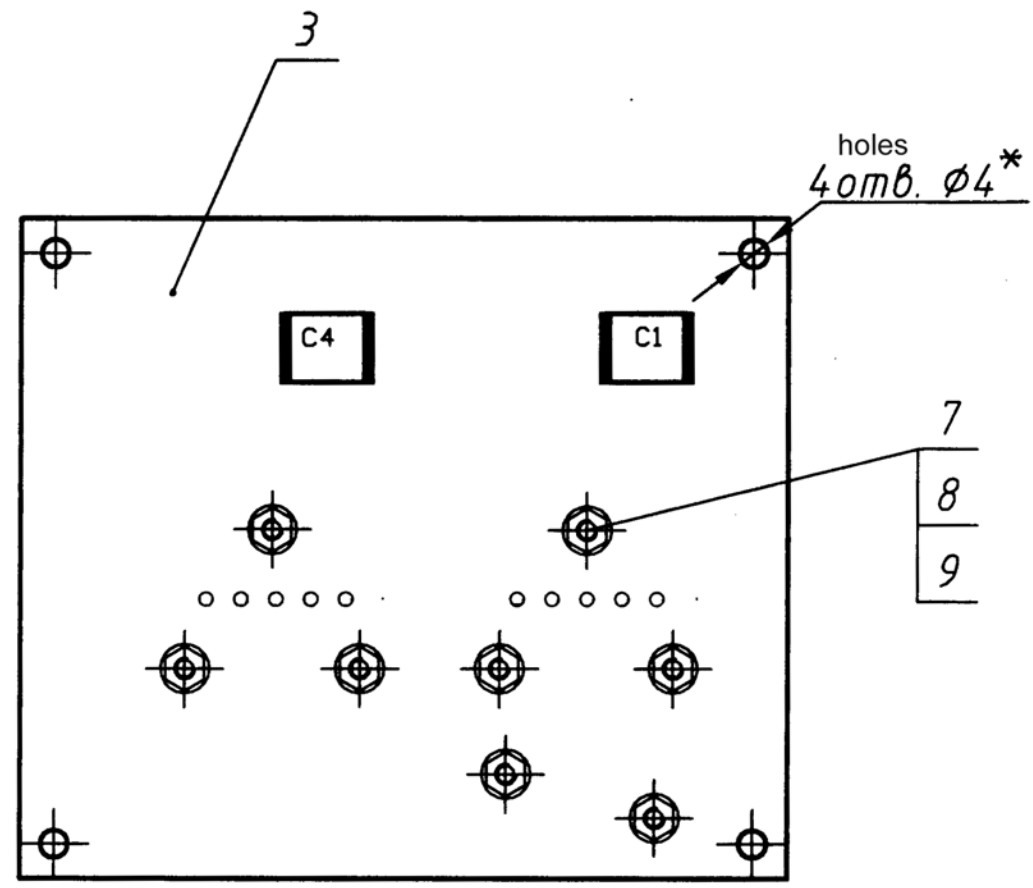
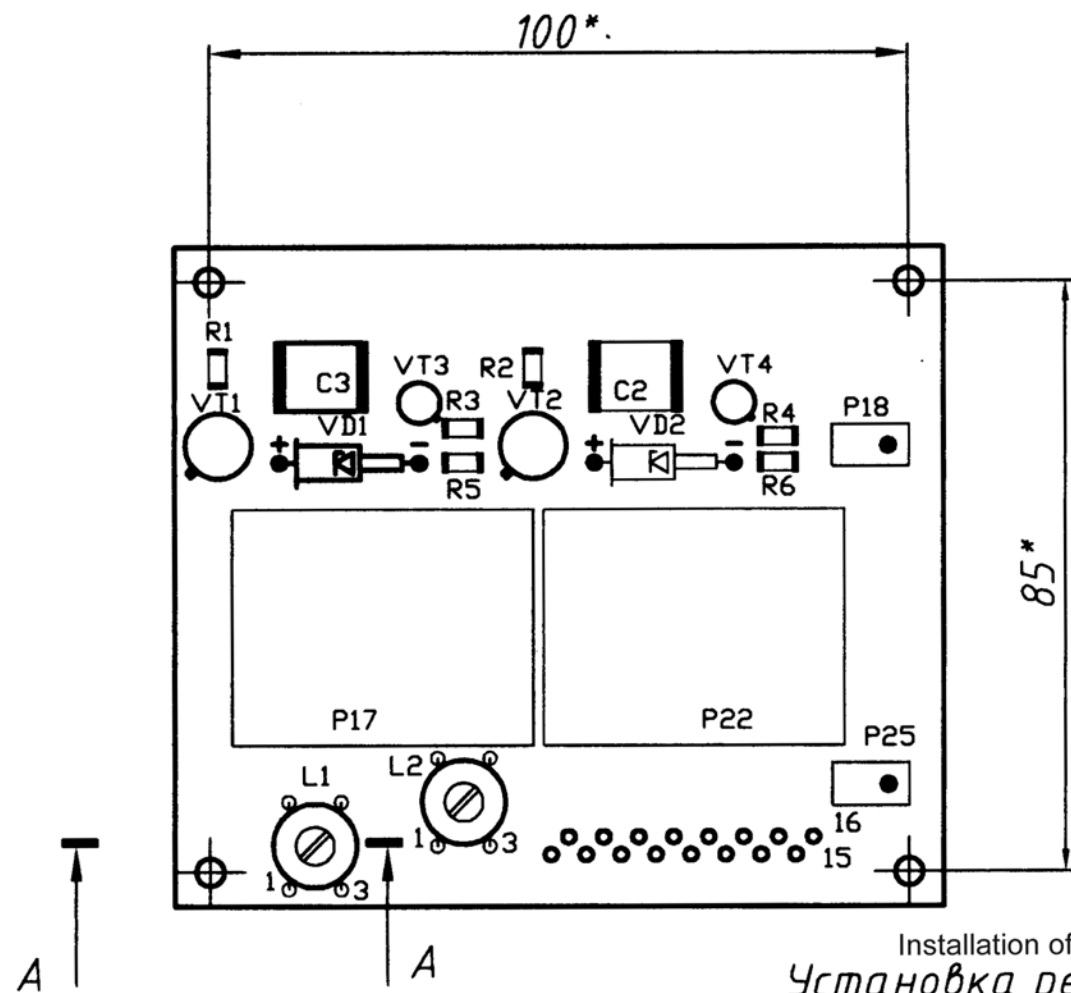
Sign and Date

Duplicate Inv. No

Alternate Inv. No

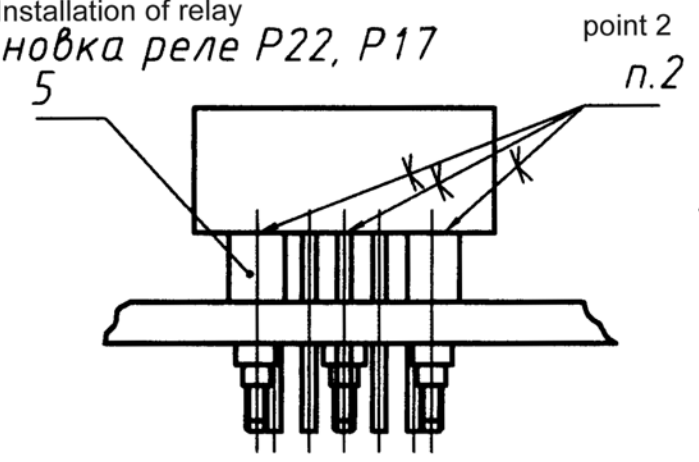
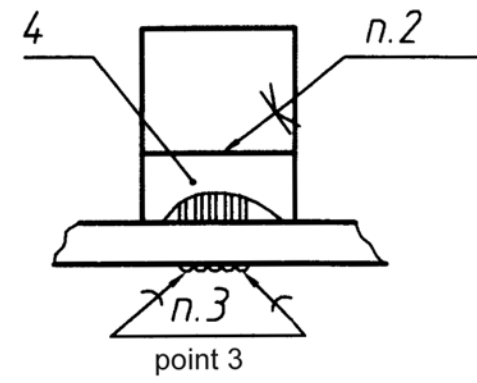
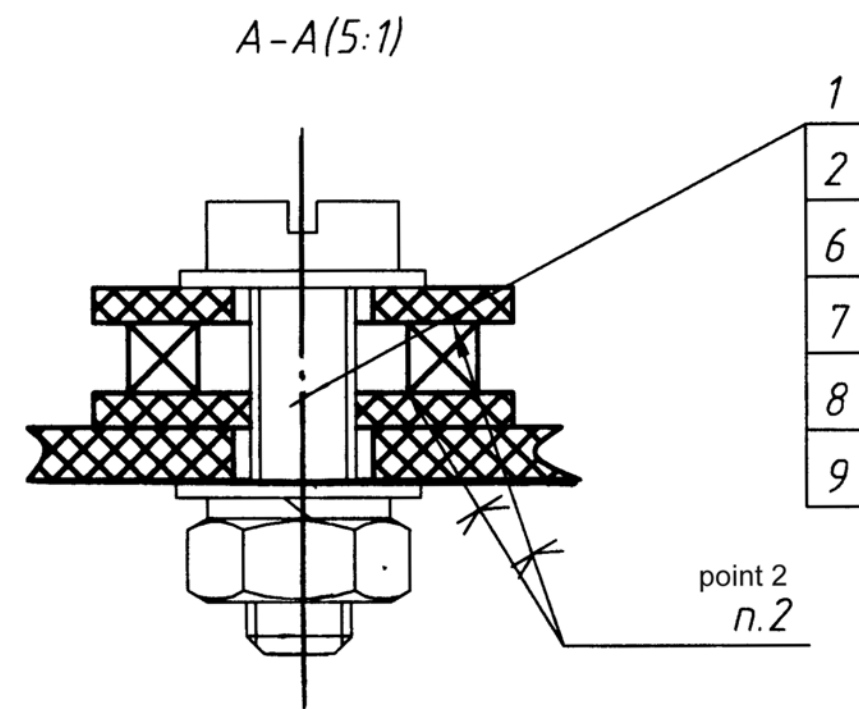
Sign and Date

Orig. inv. no.



Installation of relay
Установка реле P18, P25

Installation of relay
Установка реле P22, P17



					AK-630 171/50-71 SB			
Amend.	Sheet	Doc.No.	Sign	Date	Board Assembly drawing	Type	Weight	Scale
Developed by						A	0.25	1:1
Checked by						Sheet	Sheets 1	
Head of Q.C.D								
Approved by								