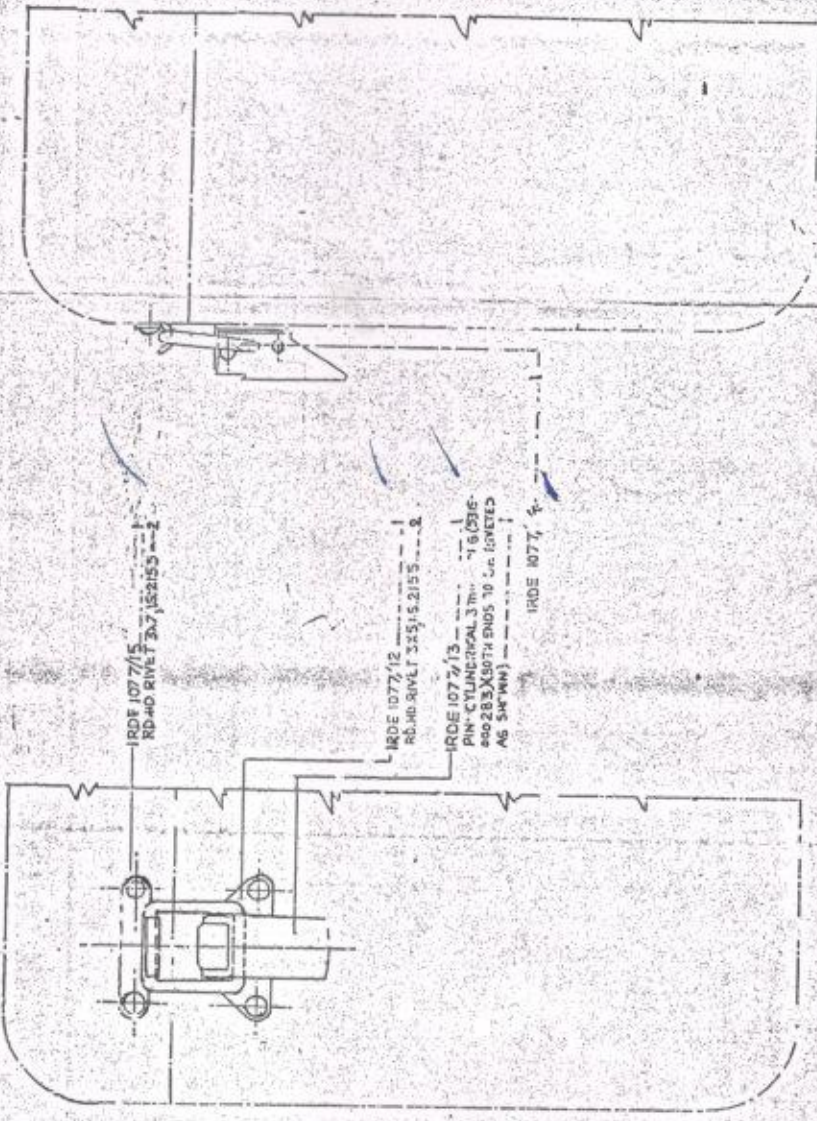


AMENDMENTS	CHD SIG	DATE
DC-6088-I-1 ORG. REDUCED & NEW COPY SEALED IN SUPERSESSION OF EXISTING ONE.	AW	12-2-96
D. CN - 6302-I-1 - PRG. ENDORSED	AW	12-19-96
D. CN - 6386-I-1 - OBSOLETE - CANCELLED.	AW	2-26-97



IRDE 1077/12  
RD-HO RIVET 307, 152153

IRDE 1077/12  
RD-HO RIVET 307, 152153

IRDE 1077/13  
PIN-CYLINDRICAL 3mm - 716 (2) 6-  
400 28 X 500TH DIMS TO C. (RIVETS  
AG 547144)

IRDE 1077

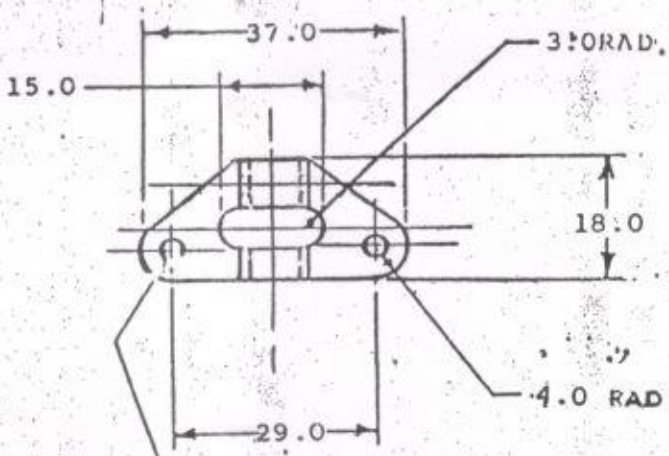
NOTE --  
MODE 17/12 TO 85 WE 3  
AFTER RIVETING.

# FASTENER, CORD ASSEMBLY

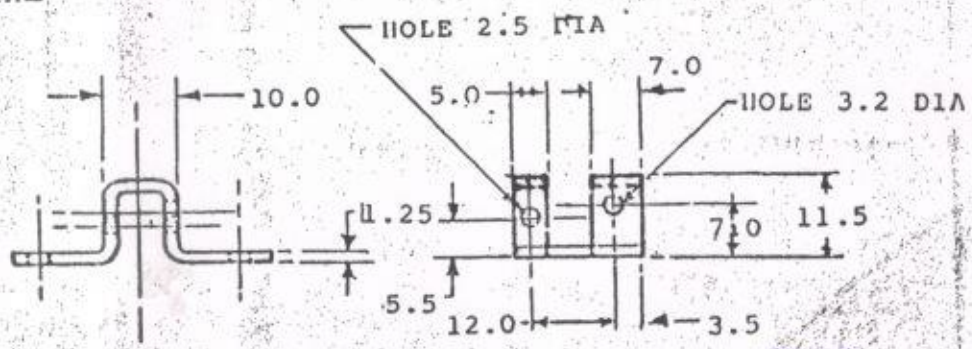
DRN	APPROVED
FOR EXPLANATION OF DIMENSIONS SEE (DA Q) GUIDE No 001-1992.	FOR DIRECTION OF IRVET L. PIN DATE 19-4-75
1. ALL DIMENSIONS ARE IN (M) UNLESS SPECIFIED.	
AS ON DETAILS	
FINISH & SPEC.	
AS ON DETAILS	
SCALE	
DRG No.	5975-001028
CHD No.	IRDE 1077/SA4

*Handwritten notes:*  
Date of issue 07/2/2000  
AW

FOR EXPLANATION OF DIMENSIONING ETC. SEE CQA (I) GUIDE No. 001-1992.  
 THIRD ANGLE PROJECTION DIMENSIONS ARE IN mm



2-HOLES 3.2 DIA



FOR TRADE COPY  
 Date of Issue: 22/03/2020  
 Ref

**FINISH:**  
 (i) RUST PROOFED CLASS B TO IS:3618-1966 BEFORE PAINTING  
 (ii) APPLY PRIMER TO IS:2075-1962 & THEN PAINTED (ISC No. 294 OF IS:5-1978)  
 TO IS:8983-1978 EXCEPT BEARING SURFACES AFTER ASSY.

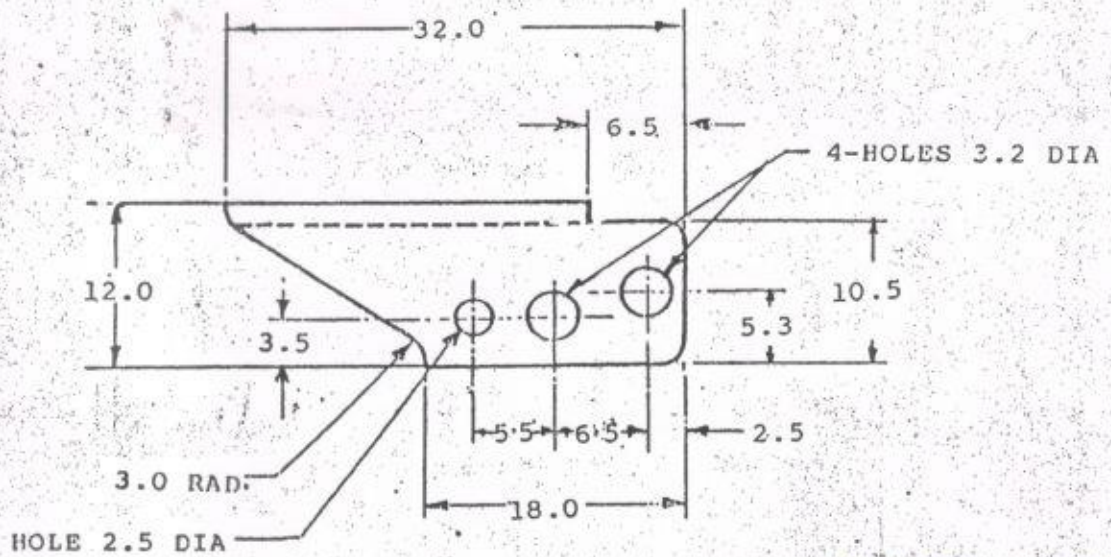
D.C. (I)-0872-I (P), 3349-I, 5519-I, 5687-I, 6088-I, VETTED BY...  
 6303-I, 6386-I.  
 CH III  
 202/05/01/11

REVISED DRG. PREPARED AT CO (II) DEWA CAN  
 PREPARED BY: KS12 and  
 CHECKED BY: Ashraf

				DRN	APPROVED
				TCD	sa/-
				CHD	FOR DIRECTOR
				CHD	IRDE DEHRADUN
				USED	DATE: 19.4.75
SYMB	AMENDMENTS	CHD	SIG	DATE	
MATL & SPEC	STEEL Fe 330 TO IS:1079-1988			BASED ON	
FINISH & SPEC	SEE ABOVE			CAI/PI	5340-007896
TITLE	BRACKET, DOUBLE ANGLE			DRG No	IRDE 1077/12
				SCALE	SH OF

D.C.:- 6386-I  
 "OBSCOLESCENT" CANCELLED.  
 D.C.:- 6303-I:- DRG. ENDORSED.  
 "OBSCOLESCENT"  
 D.C.:- 6088-I:- DRG. REDUCED & NEW COPY  
 SEALED IN SUPERSESSION OF EXISTING ONE

FOR EXPLANATION OF DIMENSIONING ETC, SEE CQA(I)GUIDE No. 001-1992.  
THIRD ANGLE PROJECTION DIMENSIONS ARE IN mm



FOR TRADE ONLY  
Date of Issue 07/03/2021  
Ref-

FINISH:-RUST PROOFED CLASS B OF IS:3618-1966 BEFORE PAINTING.  
(ii) APPLY PRIMER OF IS:2075-1962 & PAINTED OF IS:8983-197A  
(ISC No.294 OF IS:5-1978)EXCEPT BEARING SURFACES AFTER ISSY

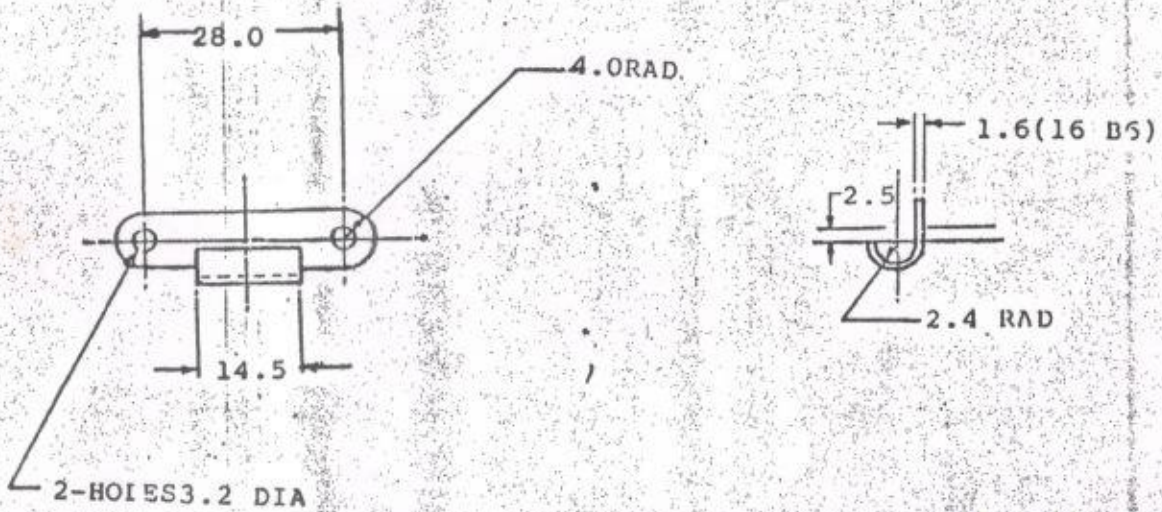
				DRN	APPROVED
				TCD	sd/-
				CHD	FOR DIRECTOR
				CHD	LDDE DEHRADUN
				USED	DATE:19.4.75
SYMB	AMENDMENTS	CHGSI	DATE	ON	
MATL & SPEC	STEEL, Fe, 330 TO IS:1079-1988			BASID ON	
FINISH & SPEC	SE & ABOVE			CAI/PT No.	5340-007714
TITLE:-	CLIP, SPRING TENSION			DRG No.	IRDE 1077/13
				SCALE	: SH C.

D.C. (I):-0872-I(P), 3349-I, 5519-I, 5687-I, 6088-I, VETTED BY...  
6303-I, 6386-I.  
495 off on 12h

REDUCED DRG. PREPARED AT CQA(I) DEBRA DUN  
PREPARED BY: YS Rawat  
CHECKED BY: Datta  
DATE:



FOR EXPLANATION OF DIMENSIONING ETC, SEE CQA (I) GUIDE No. DCI-1992.  
THIRD ANGLE PROJECTION DIMENSIONS ARE IN mm



FOR IS...  
Date of issue: 03/03/2020  
Raj...

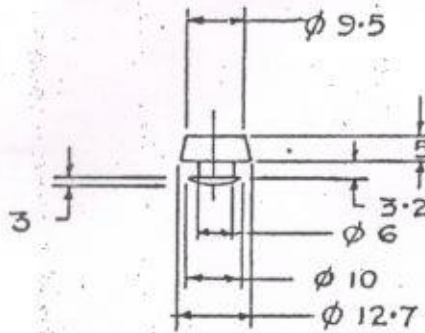
FINISH: RUST PROOFED CLASS B OF IS:3618-1966 BEFORE PAINTING.  
(ii) APPLY PRIMER OF IS:2075-1962 & PAINTED OF IS:8983-1978  
(ISC No.294 OF IS:5-1978) EXCEPT BEARING SURFACES AFTER ASSY.

D.C. (I) : -0872-I(P), 3349-I, 3379-I, 4147-I, 5687-I, VEITTED BY...  
6088-I, 6303-I, 6386-I  
1/85

REDUCED DRG. PREPARED AT CQA (I) DELRA DCN  
PREPARED BY: YS Ramly  
CHECKED BY: [Signature] DATE: [Blank]

SYMB	AM. ENDMENTS	E.I.D	SIG	DATE	DRN	APPROVED
	D.C. - 6386-I :- "OBSCOLESCENT" CANCELLED.			23.6.99	TCD	51/- FOR DIRECTOR IRDE DELRAJUN
	D.C. - 6303-I :- DRG. ENDORSED "OBSCOLESCENT"			16.11.98	CHD	DATE: 19.4.75
	D.C. - 6088-I DRG. REDUCED & NEW COPY SEALED IN SUPERSESSON OF EXISTING ONE			12.2.96	USED	
MATL & SPEC	STEEL, Fe 330 TO IS:1079-1985				ASID	
FINISH & SPEC	SEE ABOVE				ON	
TITLE	HOOK, FASTENER				C/1/P/	5240-002339
					JRG	IRDE 1077/15
					No.	
					SCALE	SH OF

FOR EXPLANATION OF DIMENSIONING ETC, SEE CQA(I)GUIDE No. 001-1992.  
THIRD ANGLE PROJECTION DIMENSIONS ARE IN mm



DIMENSIONS ARE APPROXIMATE

FOR TRADE ONLY  
Date of Issue 07/03/2020  
Raj

MATL:-

VULCANIZED NATURAL RUBBER TYPE B Gde 2 OF IS:5192-1975

CAT/PT. No.  
5340-007447

C.I.A.(P.C.) 2022 sd-  
DETAIL No. 22 15-12-1943  
DRN TCO C4D FORC.I.A.  
Sd. Sd. Sd. Sd.

SCALE:-  
MATL:- SEE ABOVE  
SEALED:- 14-12-43

50-5087-1 POLY NEG. PREPARED & NEW COPY.  
SEALED IN SUPERSESSION OF EXISTING ONE. 14/12/2006  
AMENDMENT DATE

SUPPLIER'S No.  
O.S.53239

BUFFER

P.C (I):-2332-SS,312,3510-1  
4173-1,4303-1,5578-1,6087-1.

*c/Sys c/llc Om-17*

VERIFIED BY...  
CQA II

POLYESTER NEGATIVE PREPARED AT CQA(I)D. W. IN  
PREPARED BY:- *design*  
CHECKED BY:- *Raj* DATE:-