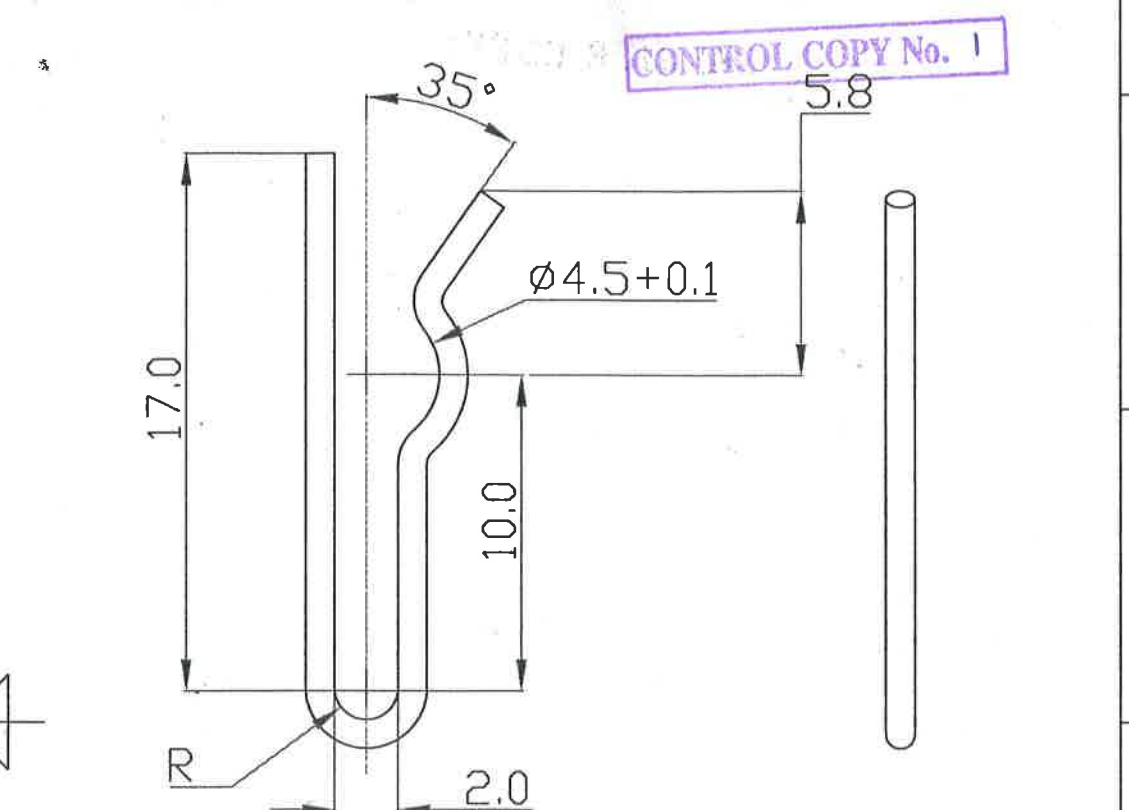


1 2 3 4
 ISS C A AA S SS IC DRG.No.
 0 2 0 4 0 3 0 2 0 2 1 8 0 0 4 0 0 D A

GEN TOL FINE/MEDIUM/COARSE CLASS TO IS:2102
 DRG CONVENTIONS CONFIRM TO INDIAN STD DIMN IN mm UNLESS OTHERWISE STATED



NOTES:-
 1) STRESS RELIEVED
 2) WIRE DIA : 0.9
 Received on 29/11/15

S No	DATE	AUTHORITY	BRIEF RECORD	ZONE	CD	GO
DRN	RGN	CHD	MATERIAL: STEEL TO IS:4454 (Pt-1) 2001, DH		SIGN	
APPD	DATE 10-1-12	For Director	PROTECTIVE FINISH: PHOSPHATED TO SPECN. IS: 3618-1966 , CLASS 'B'			
SEALED	DATE		TITLE			
SCALE 5:1	EST MASS		SPRING, LOCKING PIN TRIGGER FRONT & PIN AUTO GEAR			
DESIGN AUTHORITY	ARDE					
PUNE 411021						

DRG.No. 0 2 0 4 0 3 0 2 0 2 1 8 0 0 4 0 0 D A
 IC SS S AA A C SST
 PART No DS CAT No AHSP

1 2 3 4