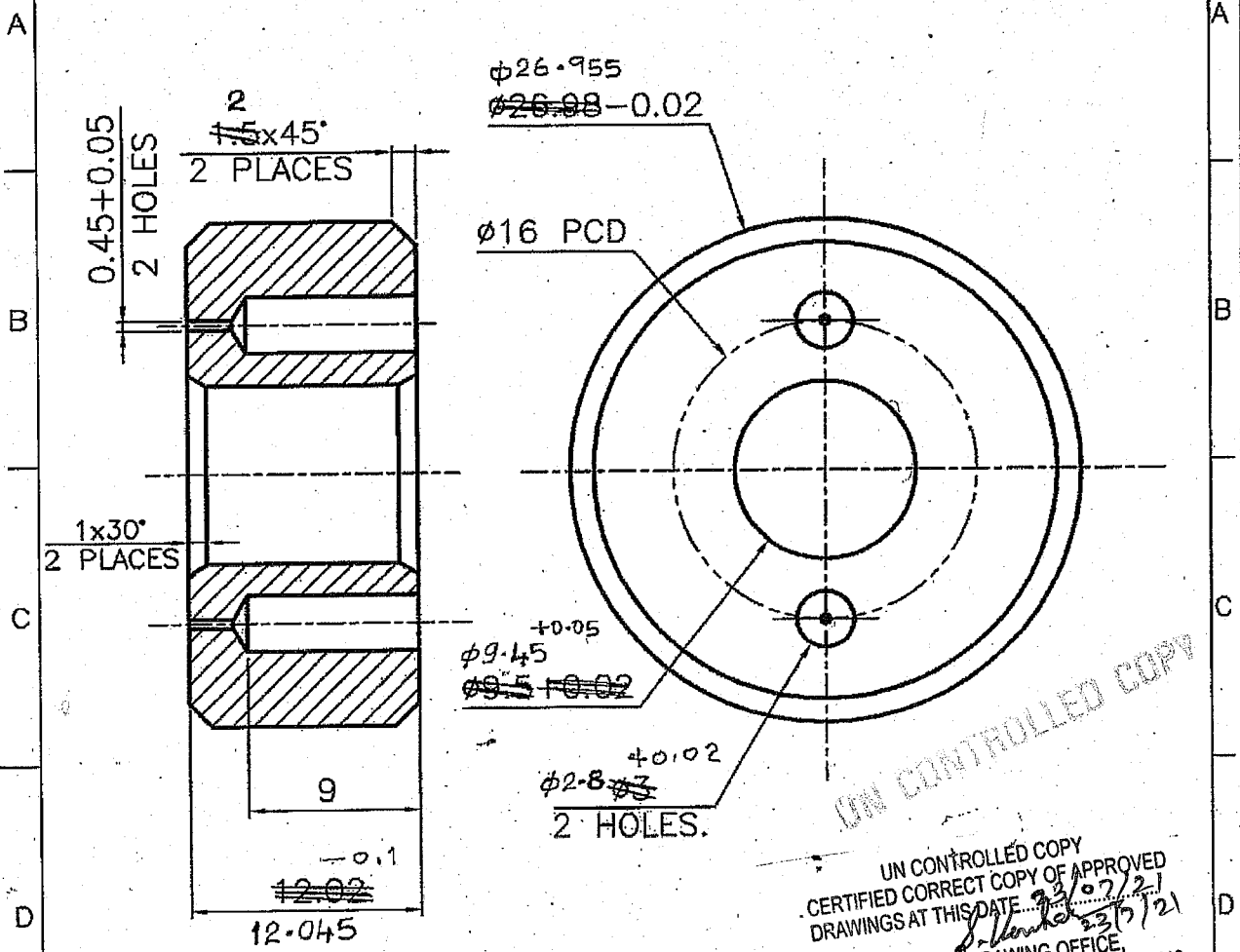


DRG. NO. 44P 02008\*

DIMENSIONS ARE IN mm.  
 UNTOLERATED DIMNS. AS PER IS : 2102 (MED)  
 MARK DRAWING No.



UN CONTROLLED COPY  
 CERTIFIED CORRECT COPY OF APPROVED  
 DRAWINGS AT THIS DATE 23/07/21  
 DESIGN & DRAWING OFFICE,  
 ORDNANCE FACTORY, TIRUCHIRAPPALI - 620 016.

MATERIAL: BRASS (~~COMMERCIAL~~) IS: 319-89, TYPE: F-10

ALTERNATE: ALUMINIUM BRONZE

DRG. PROVISIONAL

PART NO.	DESCRIPTIONS	NO OFF.	MATERIAL	TREATMENT	REMARKS
DA-NO 006/07	SIGNATURE & DATE.	SUB: THROTTLE.		SCALE NTS	
	TRACED	FOR: RECOIL DAMPER ASSY. HOT.		STORE DRG.NO.	
	DRAWN R. N. [Signature]	OF: 14.5mm/20mm AMR		OPERATION NO.	
	CHECKED [Signature]	DES. REF. NO.		SHEETS: 1	
	OIC/D&DO [Signature]	DRG. No.: 44P 02008*		SHEET No.: 1	
OFFICER/PRODN.	APPROVED ON. 07/05		ORDNANCE FACTORY TIRUCHIRAPPALI-16.		
OFFICER/D&DO					
AMENDMENTS	SIG. & DATE				