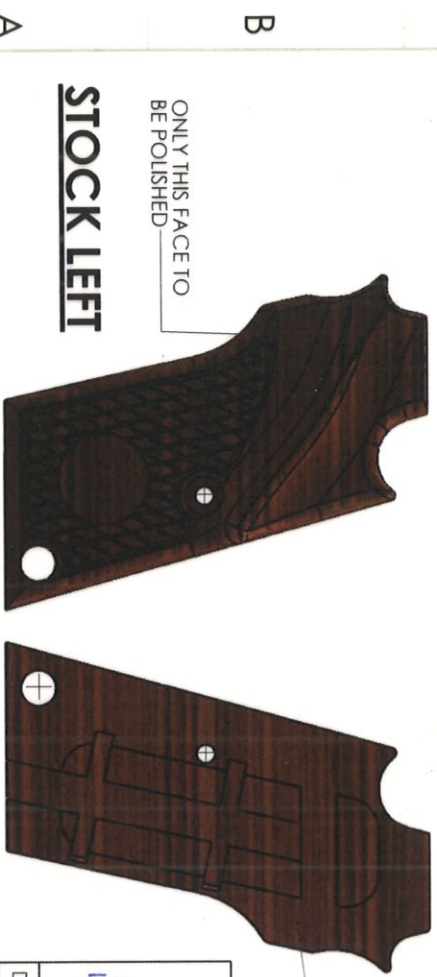
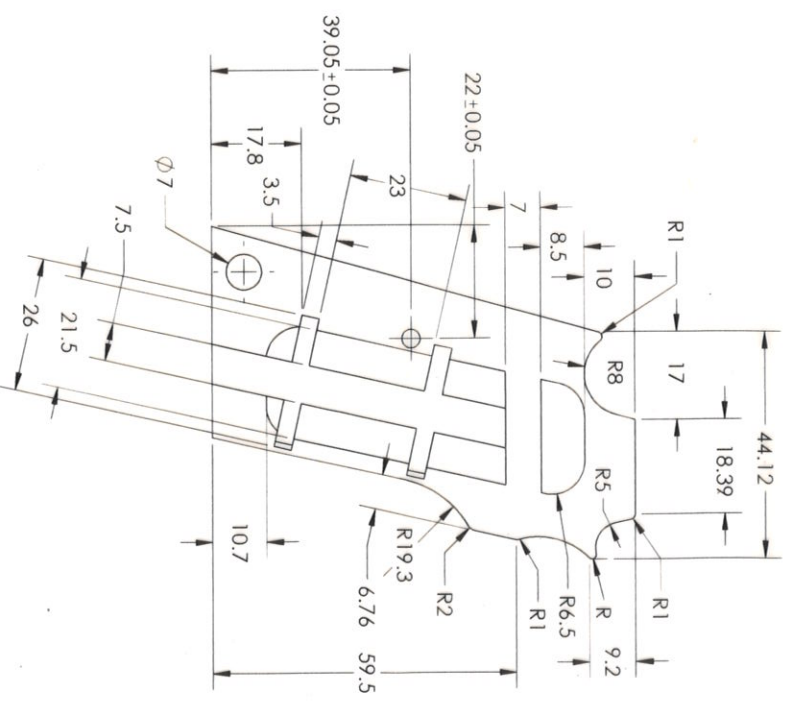
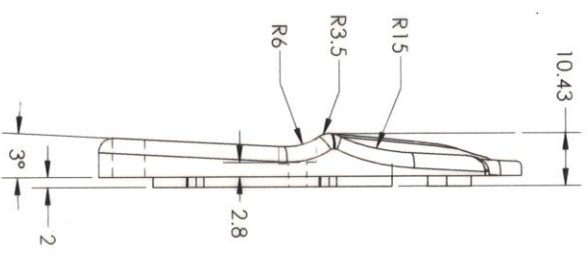
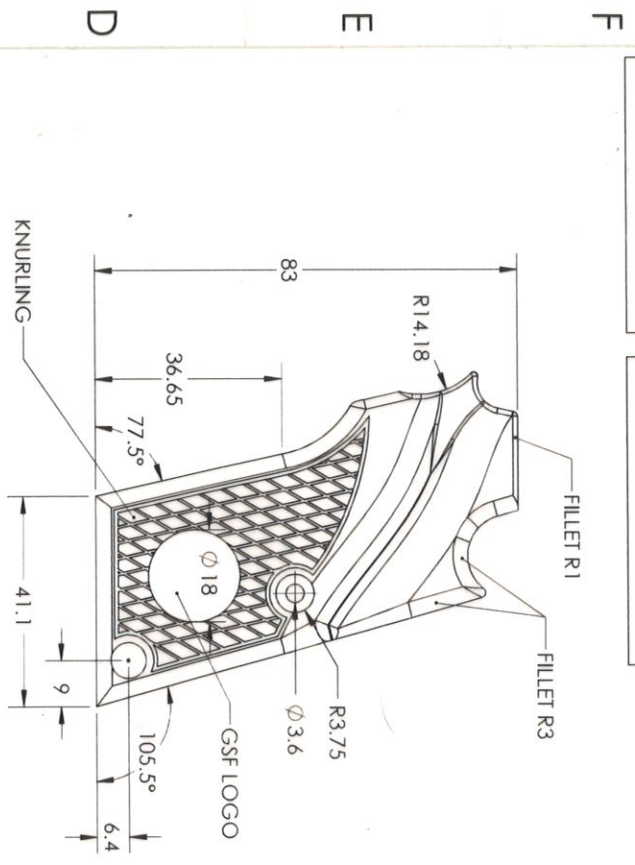


DRG. NO.-CTM-164 B

ALL DIMMS. ARE IN mm.
UNTOOL DIMMS. ARE AS PER IS:2102.



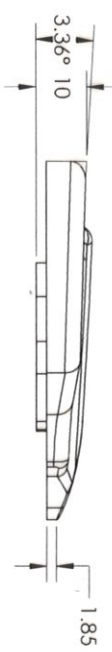
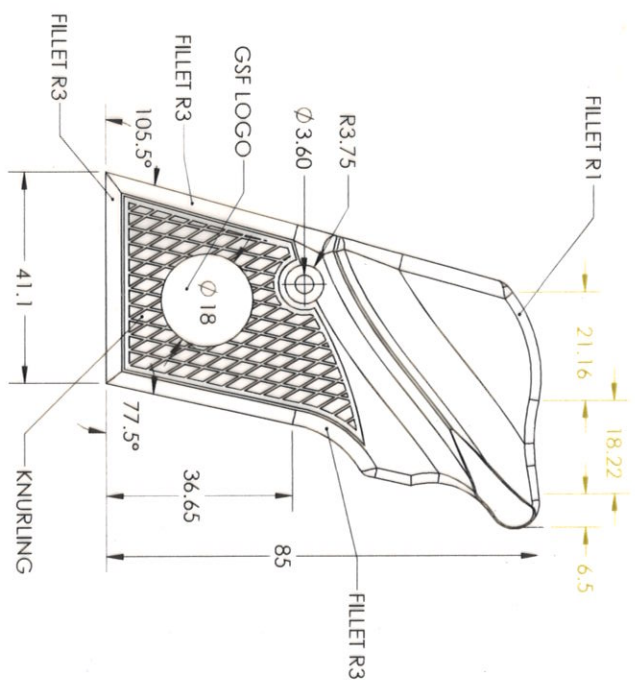
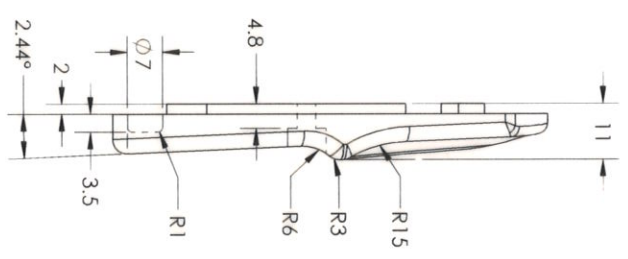
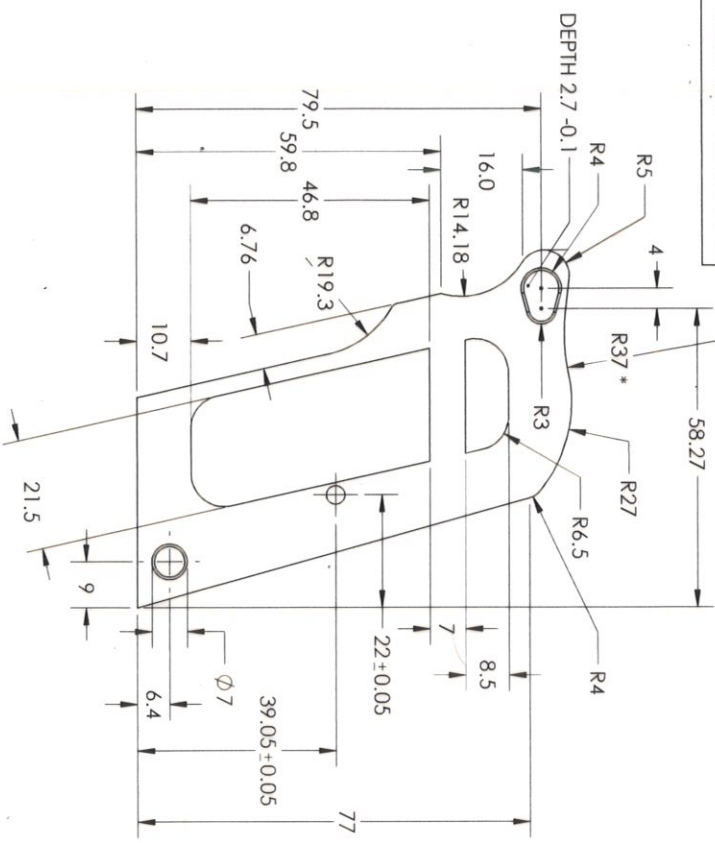
ONLY THIS FACE TO BE POLISHED

THIS FACE NOT TO BE POLISHED

MATERIAL:- WALNUT (POLISHED)
POLISH COLOUR:- "CRIMSON" AS PER ISC No-540 TO SPECIFICATION IS 5:2007
GSF LOGO TO BE PREPARED ON METAL SHEET AND SHOULD BE FIXED ON THE STOCK.

DT. & SG.	DESCRIPTION	AMENDMENTS	PROJECTION: THIRD ANGLE	COMPONENT:-	STORE DRG.NO
			DA No- 26/22 (i) Polish colour added (ii) * Dimension changed from R30 to R37	ASHANI MK-III	
18/5/22			DRAWN BY: 18/5/22	SET OF STOCK LEFT & RIGHT	
			CHECKED BY: 19.5.22	DRG. NO.: CTM- 164 B	
			APPROVED BY: 19/5/22	SCALE: NOT TO SCALE	
			CONCURRED BY: JWM/PISTOL SIGN & DATE: 18/5/22	NO. OF SHEETS: 2	SHT. NO.: 1

DRG. NO-CTM-164 B



THIS FACE NOT TO BE POLISHED



ONLY THIS FACE TO BE POLISHED

STOCK RIGHT

ALL DIMMS. ARE IN mm.
UNITOL DIMMS. ARE AS PER IS:2102.

DI. & SG.	DESCRIPTION	PROJECTION: THIRD ANGLE	COMPONENT:-	STORE DRG.NO
		AMENDMENTS	ASHANI MK-III	
		DRAWN BY: <i>Abhishek</i>	SET OF STOCK LEFT & RIGHT	
		CHECKED BY: <i>19.5.22</i>	DRG. NO.:CTM- 164 B	
		APPROVED BY: <i>19/5/22</i>	SCALE: NOT TO SCALE	
		CONCURRED BY: <i>19/5/22</i>	NO. OF SHEETS: 2	
		SIGN & DATE: <i>19/5/22</i>	SHT. NO.: 2	