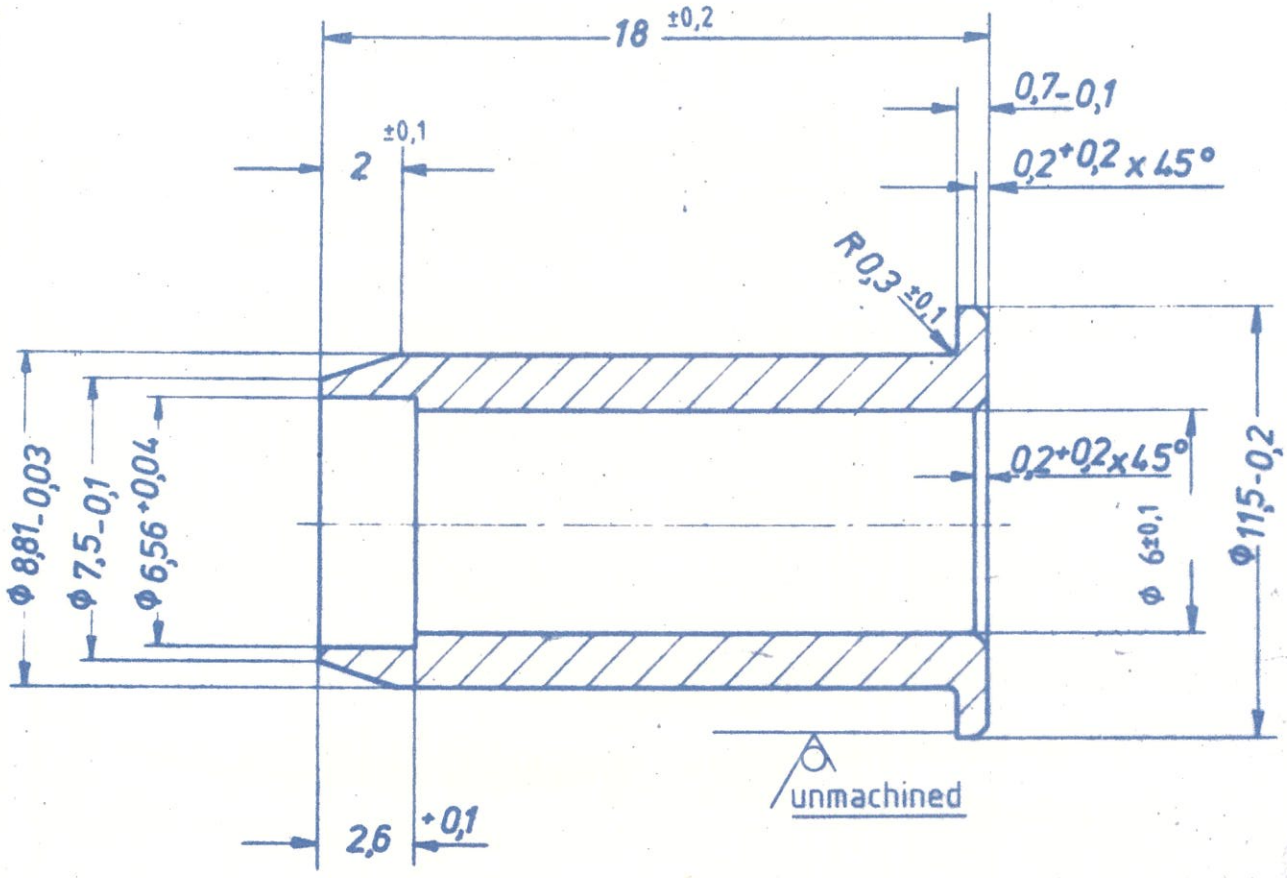
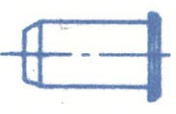


31.01 2001	DC 5735-A	MATERIAL AMEND.
19-4-2000	DC.36669-A	INDIGENOUS EQUIVALENT MATERIAL ADDED.
DATE	AUTHORITY	REVISION




COPPERPLATED
 ONLY FOR IDENTIFICATION PURPOSES
 INDIGENOUS EQUIVALENT
 MATERIAL:- FREE CUTTING LEADED
 BRASS TO SPECIFICATION
 IS 319 - 89 GR 1

M1/1



semi finished product ϕ 115_{-0.2}

30-8-85	DCI.33804-A	DRG. SEALED PROV.		
DATE	AUTHORITY	REVISION	SIG. AHSP.	SIG. D.O.
APPROVED		Maße ohne Toleranzangabe	Material specification 04-749-0021-0008	
 FOR C.J. (A)	1983	Tag	Name	Maßstab 5/1
	Bearb.	17.10.	Pütz	
	Gepr.			
Norm.				
AHSP: - C.J. (A) KIRKEE.	Dynamit Nobel AKTIENGESELLSCHAFT Werk Stadeln		04-749-130226-02.1 E	PT-Nr.
Änd. zust.	Änderungs-Mitteilung	Tag	Name	P-Nr.