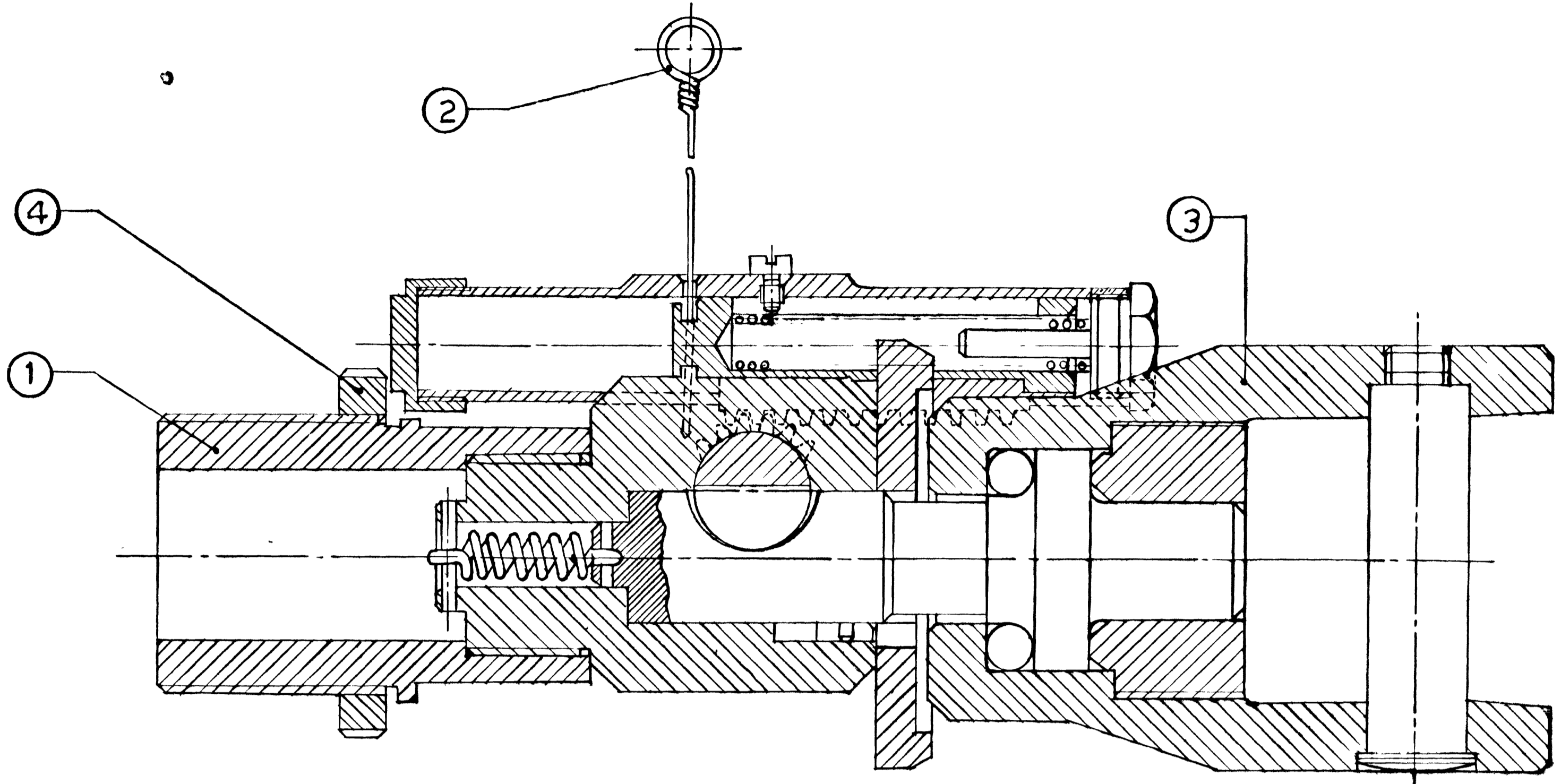
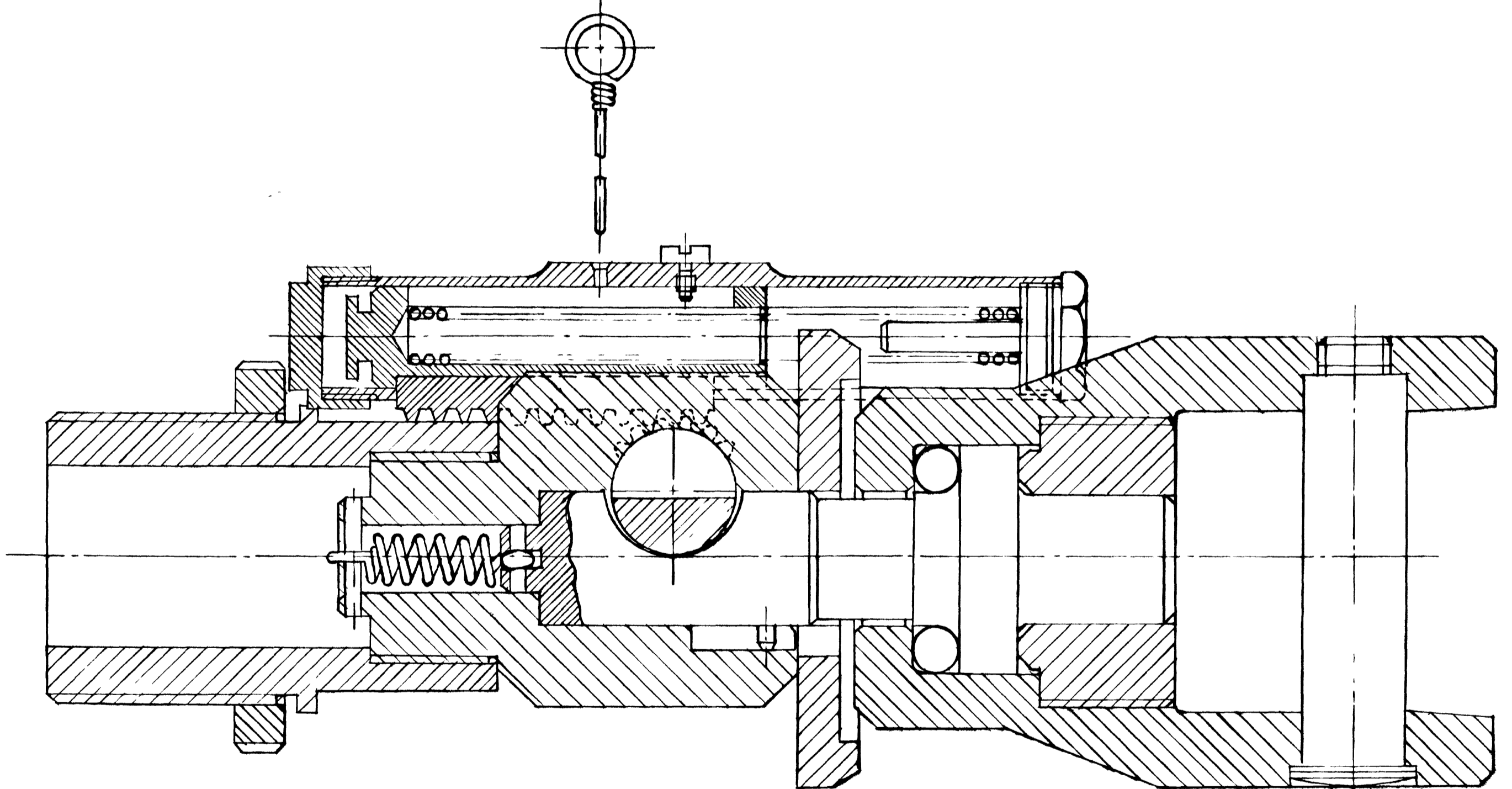
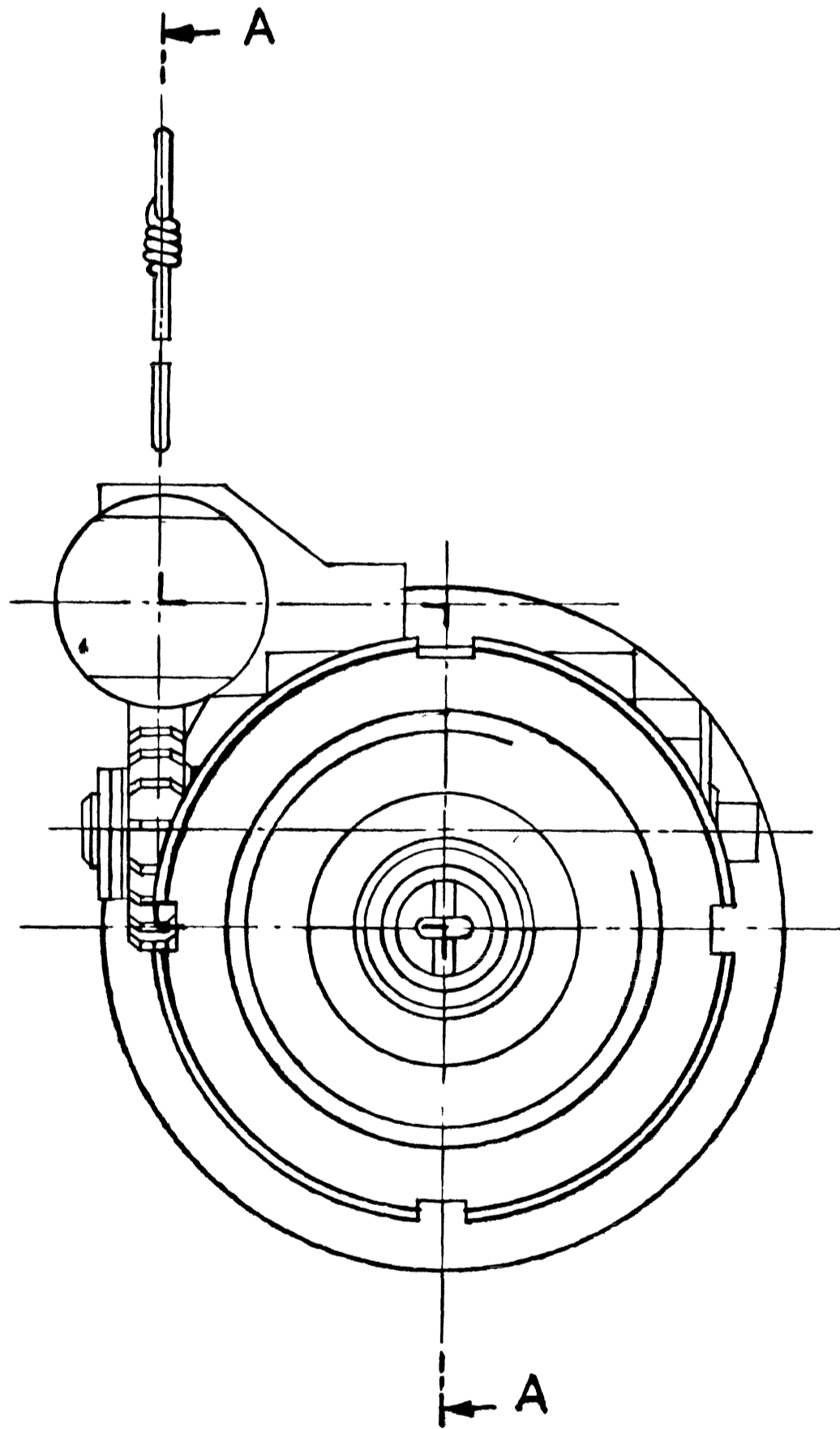


DRG. CONVENTIONS CONFORM TO IS 1696.  
 DIMN. ARE IN MM.  
 GEN. TOL.  
 ARDE 1947  
 DET 1  
 SHTS  
 DRG No

| LIST OF COMPONENTS |                     |     |       |           |         |          |
|--------------------|---------------------|-----|-------|-----------|---------|----------|
| ITEM No.           | NOMENCLATURE        | QTY | MATL. | DRG. NO.  | DET No. | PART No. |
| 1                  | BLOCK HOUSING ASSY. | 1   | -     | ARDE 1947 | 2       | -        |
| 2                  | PIN ARMING          | 1   | -     | " "       | 27      | -        |
| 3                  | CLEVIS UNIT ASSY.   | 1   | -     | " "       | 28      | -        |
| 4                  | LOCK NUT            | 1   | -     | " "       | 38      | -        |



(UNLOCKED POSITION)



LOCKED POSITION

SECTION A-A

|             |          |           |                       |        |      |                   |              |         |             |      |                  |
|-------------|----------|-----------|-----------------------|--------|------|-------------------|--------------|---------|-------------|------|------------------|
| 2           | 7 4 2000 | -         | DRG RE-TRACED         | -      | sd/- | APPROVED          | sd/-         | W/C CDR | GAUGE SCHED | DATE | DESIGN AUTHORITY |
| 1           | 29 7 83  | -         | TRACED WITHOUT CHANGE | -      | sd/- | 4 FEB 84          | FOR DIRECTOR |         |             |      | ARDE PUNE-21     |
| R No        | DATE     | AUTHORITY | BRIEF RECORD          | ZONE   | CD   | GO                | MATL.-       |         |             |      | DRG. No.         |
| DRG. SEALED | sd/-     | W/C       | CRE (AA)              | 4 2 84 | SIGN | PROTECTIVE FINISH |              |         |             |      | ARDE 1947        |
|             |          |           |                       |        |      |                   |              |         |             |      | DET 1            |
|             |          |           |                       |        |      |                   |              |         |             |      | SHT              |
|             |          |           |                       |        |      |                   |              |         |             |      | PART No.         |
|             |          |           |                       |        |      |                   |              |         |             |      | D. S. CAT No.    |
|             |          |           |                       |        |      |                   |              |         |             |      | AHSP             |

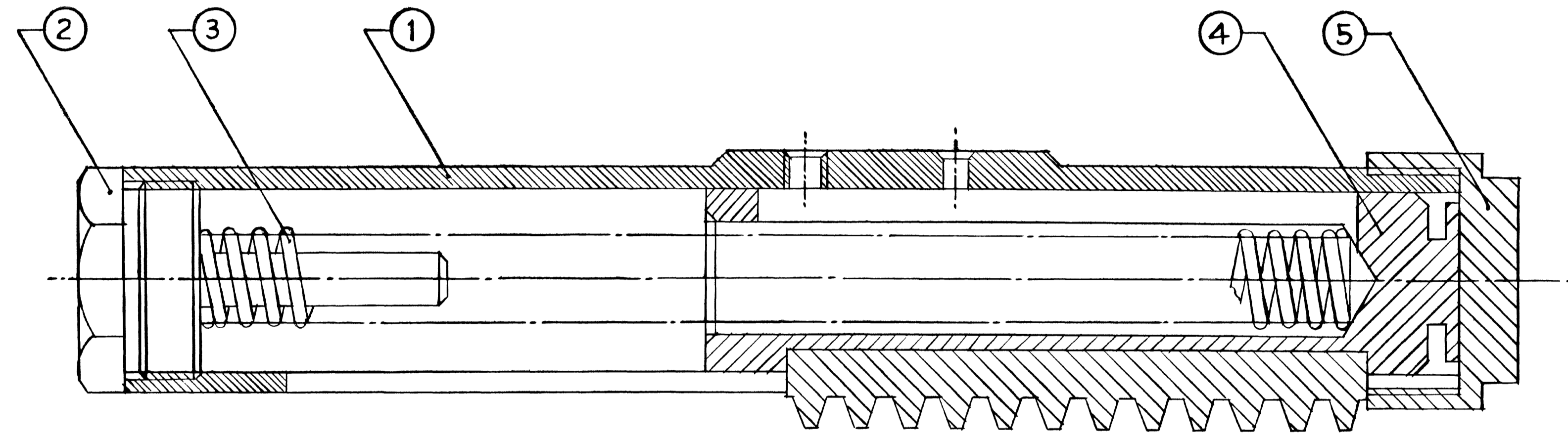
**HOUSING BLOCK AND CLEVIS UNIT ASSY.**  
 (ANCHORING MECHANISM)

|                 |                      |                   |
|-----------------|----------------------|-------------------|
| TRACED          | CHECKED DRG. SECTION | CHECKED SECTION   |
| Gur Mohan Singh | Date 14 4 2000       | (S. SINGH) CIM-II |



DRG CONVENTIONS CONFORM TO IS 696  
 DIM ARE IN MM  
 GEN TOL :-  
 DRG No ARDE 1947  
 DET 10 2 SHTS  
 SHT 2

| LIST OF COMPONENTS |                    |        |      |           |                |
|--------------------|--------------------|--------|------|-----------|----------------|
| SL No              | NOMENCLATURE       | No OFF | MATL | DRG No.   | DET No PART No |
| 1                  | HOUSING            | 1      | -    | ARDE 1947 | 11             |
| 2                  | HOLDER SPRING RACK | 1      | -    | ARDE 1947 | 12             |
| 3                  | SPRING             | 1      | -    | ARDE 1947 | 13             |
| 4                  | SLEEVE RACK ASSY   | 1      | -    | ARDE 1947 | 15             |
| 5                  | CLOSURE HOUSING    | 1      | -    | ARDE 1947 | 14             |



|      |           |           |                         |      |    |         |                       |               |         |                            |
|------|-----------|-----------|-------------------------|------|----|---------|-----------------------|---------------|---------|----------------------------|
|      |           |           |                         |      |    | DRN LVP | CHD DVK               | TRD DBG       | COMP sd | ASSY DRG ARDE 1947/10SHT-1 |
|      |           |           |                         |      |    | CD      | PASSED                | SCALE - 2.1   |         | DESIGN AUTHORITY           |
| 2    | 27.4.2000 |           | RETRACED WITHOUT CHANGE |      |    | sd      |                       | EST WEIGHT    |         | ARDE PUNE-21               |
| 1    | 27.7.83   |           | TRACED WITHOUT CHANGE   |      |    | sd      | sd                    | GAUGE SCHD    |         |                            |
| R No | DATE      | AUTHORITY | BRIEF RECORD            | ZONE | CD | GO SIGN | APPROVED FOR DIRECTOR | DATE:-26-3-78 |         |                            |
|      |           |           | DRG SEALED sd           |      |    |         | MATL -                |               |         |                            |
|      |           |           |                         |      |    |         | PROTECTIVE FINISH     |               |         |                            |

**HOUSING RACK ASSEMBLY**

DRG No  
**ARDE 1947**  
 DET 10 | 2 SHTS | SHT 2  
 PART No  
 DS CAT No  
 AHSP



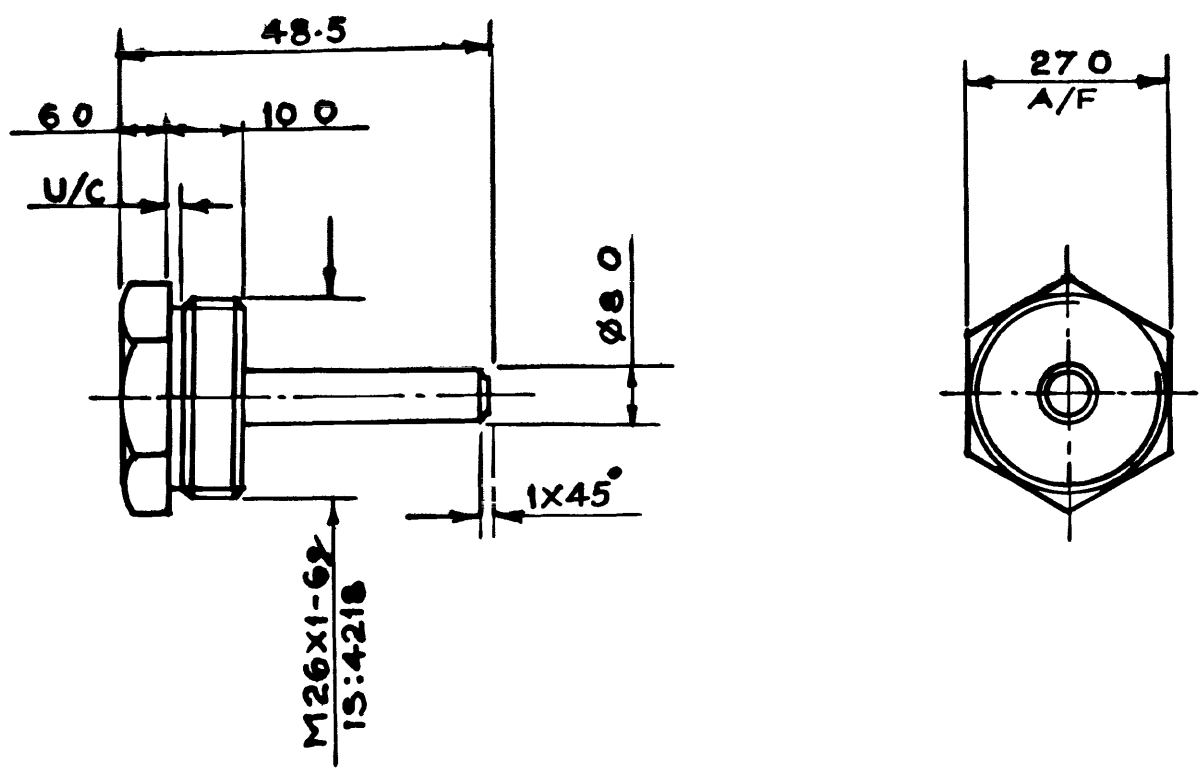
DRG No. ARDE 1947

DET 12  
PART No.

DRG CONVENTIONS CONFORM TO IS 696  
DIM ARE IN mm  
GEN. TOL:- MEDIUM CLASS TO IS: 2102

**NOTE:-**

- 1) ALL SHARP EDGES & BURRS ARE TO BE REMOVED.
- 2) SCREW THREAD RUNOUTS & UNDERCUTS TO BE IN ACCORDANCE WITH SPEC IS:1369.
- 3) SURFACE FINISH 3.2/ALL OVER.
- 4) DIM ARE TO BE READ AS APPLYING AFTER COATING.
- 5) AFTER CADMIUM PLATING THE PART SHOULD BE BAKED IMMEDIATELY AT 205°C FOR 8 TO 10 HOURS.



**MATL:-** STEEL TO IS.5517-1978 40C10S18  
OR B S 970 PART-I:1983 080 M 40

**PROTECTIVE FINISH:-**  
CADMIUM PLATED TO SPEC IS:1572,  
WITH CLASSIFICATION No. Cd 12

|        |          |           |                             |      |                 |            |  |                    |                             |
|--------|----------|-----------|-----------------------------|------|-----------------|------------|--|--------------------|-----------------------------|
|        |          |           |                             |      |                 | DRN - LVP  | CHD.- DVK  | TRD:-AGG COMP Sd/. | ASSY DRG ARDE 1947/10 SMT 2 |
|        |          |           |                             |      |                 | CD         | PASSED   | SCALE :-1:1        | DESIGN AUTHORITY            |
| 3      | 3-8-2000 |           | DRG RETRACED                |      |                 | Sd/.       |  | EST. WEIGHT -      | ARDE PUNE-21                |
| 2      | 23-2-93  |           | MATL AMENDED VIDE AL No 698 |      |                 | APPROVED.- | Sd/.   | GAUGE SCHD -       |                             |
| 1      | 11-3-83  |           | TRACED WITHOUT CHANGE       |      |                 | Sd/.       | Sd/.   | DATE -24-4-78      |                             |
| R. No. | DATE     | AUTHORITY | BRIEF RECORD                | ZONE | CD              | GO         | MATL - <del>STEEL SPEC IS:1570, 40S18 OR BS 970 EXD</del> AS ABOVE |                    |                             |
|        |          |           |                             |      | SIGN            |            | PROTECTIVE FINISH - AS ABOVE                                       |                    |                             |
|        |          |           | DRG. SEALED                 | Sd/. | Vg Cdr CRE (AA) |            |  |                    | DRG No                      |

**HOLDER, SPRING RACK**

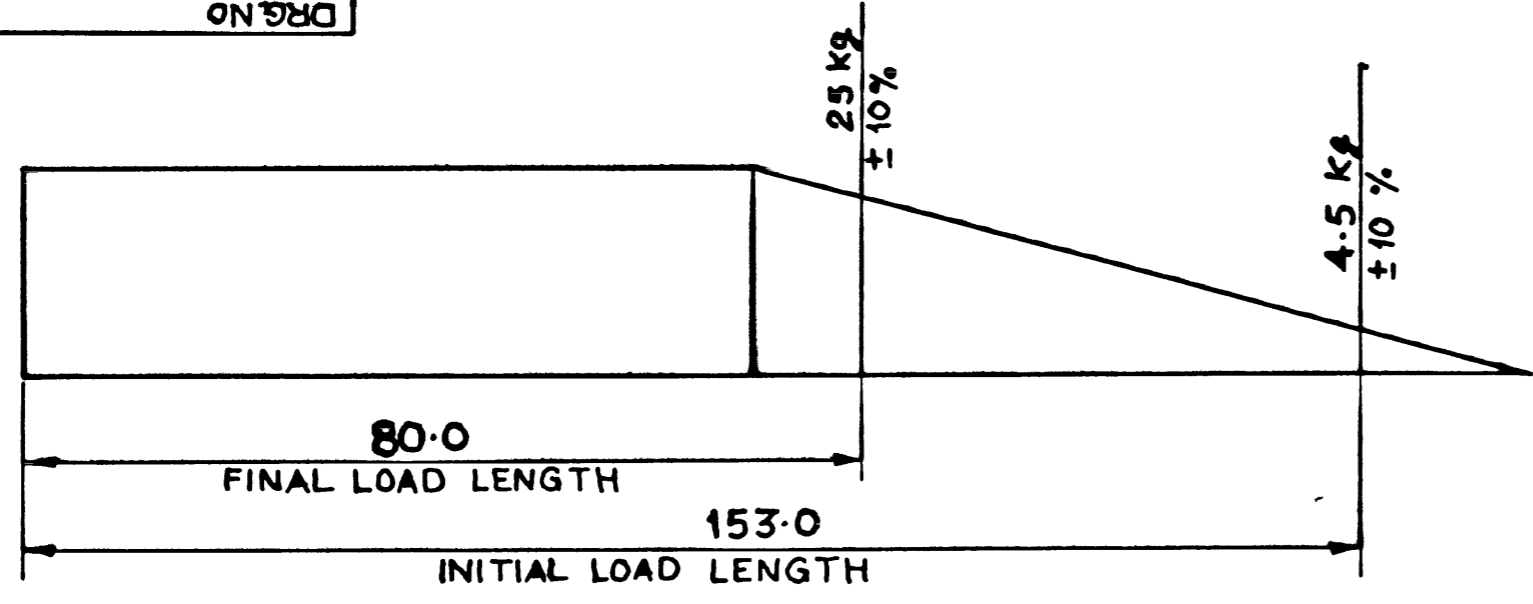
ARDE 1947  
DET 12  
PART No.  
D S CAT No  
AHSP

8 7 6 5 4 3 2 1

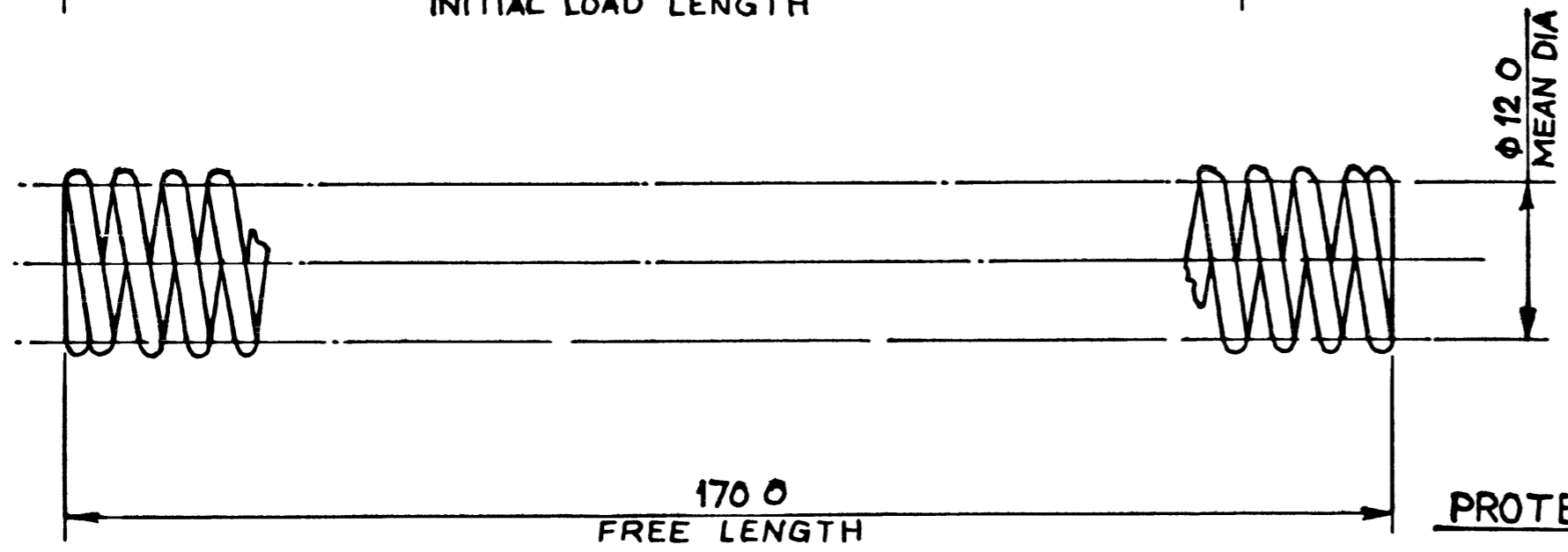
DRG CONVENTION CONFORM TO IS. 696  
 DIMNS ARE IN mm  
 GEN TOL - MEDIUM CLASS TO IS: 2102

DRG NO  
 ARDE 1947  
 DET NO 13  
 PART NO

**NOTE -**  
 FOR 17 mm DEFLECTION THE WORKING LOAD 4.5 Kg



- 1 WIRE DIA ----- 2.0
- 2 NO OF EFFECTIVE COILS ----- 35
- 3 3/4 COIL AT EACH END TO BE CLOSED  
AND GROUND FLAT & SQUARE WITH AXIS
- 4 WOUND ----- RH
- 5 AFTER CADMIUM PLATING THE PART SHOULD BE  
BAKED IMMEDIATELY AT 205°C FOR 8 TO 10 HRS



**PROTECTIVE FINISH:-**  
 CADMIUM PLATED TO SPEC IS. 1572 WITH CLASSIFICATION No Cd 12.

|                      |           |           |                         |      |           |                              |                        |   |                |                             |
|----------------------|-----------|-----------|-------------------------|------|-----------|------------------------------|------------------------|---|----------------|-----------------------------|
|                      |           |           |                         |      |           | DRN - DVK                    | CHD - PRP              | TRD - AGG                               | COMP <i>sd</i> | ASSY DRG ARDE 1947/10 SHT 2 |
|                      |           |           |                         |      |           | CD <i>sd</i>                 | PASSED                 | SCALE - 2:1                             |                | DESIGN AUTHORITY            |
|                      |           |           |                         |      |           |                              |                        | EST WEIGHT -                            |                | ARDE PUNE-21                |
| 2                    | 25-5-2000 |           | RETRACED WITHOUT CHANGE |      | <i>sd</i> | APPROVED <i>sd</i>           | <i>sd</i> <i>w/cdr</i> | GAUGE SCHD                              |                |                             |
| 1                    | 17-3-83   |           | TRACED WITHOUT CHANGE   |      | <i>sd</i> |                              | FOR DIRECTOR           | DATE 24-4-78                            |                |                             |
| R No                 | DATE      | AUTHORITY | BRIEF RECORD            | ZONE | CD        | GO                           |                        | MATL - STEEL TO SPEC IS. 4454 Pt 1 Gd 2 |                |                             |
|                      |           |           |                         |      |           | SIGN                         |                        |   |                |                             |
| DRG SEALED <i>sd</i> |           |           | Wg cdr CRE (AA)         |      |           | PROTECTIVE FINISH - AS ABOVE |                        |   |                | DRG No                      |

**SPRING**

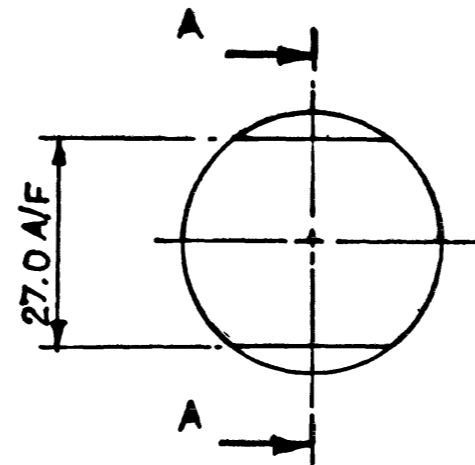
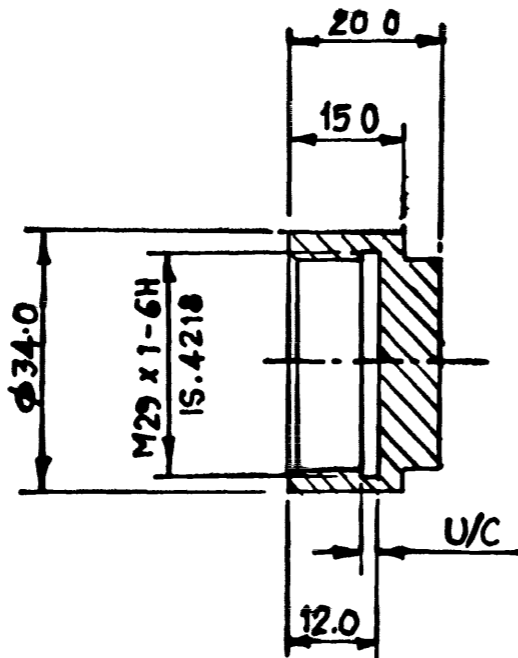
ARDE 1947  
 DET 13  
 PART No  
 D S CAT No  
 AHSP

DRG No  
ARDE 1947  
DET No 14

DRG CONVENTIONS CONFORM TO IS. 696  
DIM ARE IN mm  
GEN TOL :- MEDIUM CLASS TO IS. 2102

**NOTES:-**

- 1) ALL SHARP EDGES & BURRS ARE TO BE REMOVED
- 2) SCREW THREAD RUNOUTS & UNDERCUTS TO BE IN ACCORDANCE WITH SPEC IS 1369
- 3) SURFACE FINISH  $\sqrt{3.2}$  ALL OVER
- 4) DIMENSIONS ARE TO BE READ AS APPLYING AFTER COATING
- 5) AFTER CADMIUM PLATING THE PART SHOULD BE BAKED IMMEDIATELY AT 205° C FOR 8 TO 10 HOURS



SECTION A-A

PROTECTIVE FINISH:-

CADMIUM PLATED SPEC IS:1572  
WITH CLASSIFICATION No cd 12

MATL :- STEEL TO IS. 5517-1978 40C10 S18  
OR BS: 970 -PART-I. 1983 080 M 40

|            |        |           |                             |      |    |          |         |              |            |                               |
|------------|--------|-----------|-----------------------------|------|----|----------|---------|--------------|------------|-------------------------------|
|            |        |           |                             |      |    | DRN LVP  | CHD DVK | TRD AKS      | COMP-sd    | ASSY DRG.- ARDE 1947/10 SHT 2 |
| 3          | 182000 |           | TRACED WITHOUT CHANGE       |      |    | CD       | sd      | PASSED       | SCALE 1.1  | DESIGN AUTHORITY              |
| 2          | 23293  |           | MATL AMENDED VIDE AL No 698 |      |    | APPROVED | sd      | FOR DIRECTOR | EST WEIGHT | ARDE PUNE-21                  |
| 1          | 10383  |           | TRACED WITHOUT CHANGE       |      | sd | sd       |         | DATE 26 4 78 | GAUGE SCHD |                               |
| R No       | DATE   | AUTHORITY | BRIEF RECORD                | ZONE | CD | GO       | MATL -  | AS ABOVE     |            |                               |
| DRG SEALED |        | sd        | Wg Cdr CRE (AA)             |      |    | SIGN     |         |              |            |                               |

PROTECTIVE FINISH - AS ABOVE

CLOSURE HOUSING

DRG No **ARDE 1947**

DET No 14  
PART No

DSCAT No

AHSP

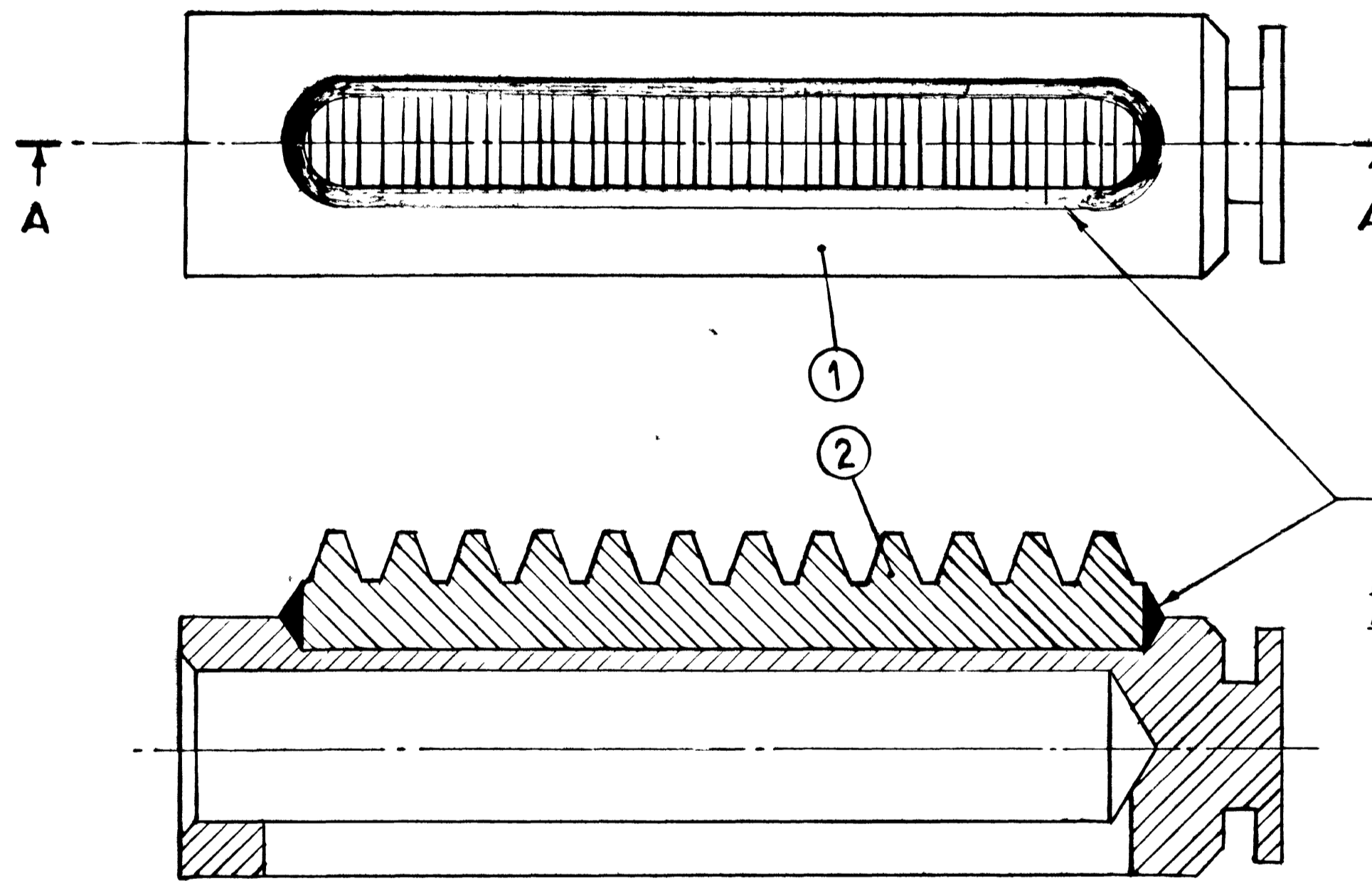
|                               |                            |                              |
|-------------------------------|----------------------------|------------------------------|
| RE-TRACED BY<br>@mym 1-8-2000 | CHECKED BY<br>yhg 7/8/2000 | SECTION CHECKED<br>11/2/2013 |
|-------------------------------|----------------------------|------------------------------|

ORG No  
ARDE 1947  
DET No 15  
PART No

DRG CONVENTIONS CONFORM TO IS: 696  
DIM ARE IN MM  
GEN TOL MEDIUM TO IS. 2102

LIST OF COMPONENTS

| ITEM No | NOMENCLATURE | No OFF | MATL | DRG No    | DET No | PART No |
|---------|--------------|--------|------|-----------|--------|---------|
| 1       | SLEEVE RACK  | 1      |      | ARDE 1947 | 16     |         |
| 2       | RACK         | 1      |      | "         | 17     |         |



NOTE:-  
AFTER CADMIUM PLATING THE PART SHOULD  
BE BAKED IMMEDIATELY AT 205° FOR 8 TO 10 HOURS

PROTECTIVE FINISH:-  
CADMIUM PLATED TO SPEC IS:1572  
WITH CLASSIFICATION No Cd 12

SECTION-AA

|      |           |           |                       |      |      |                        |         |                            |                            |
|------|-----------|-----------|-----------------------|------|------|------------------------|---------|----------------------------|----------------------------|
|      |           |           |                       |      |      | DRN D NAIR/CHD         | TRD NBV | COMP                       | ASSY DRG ARDE 1947/10 SHT2 |
|      |           |           |                       |      |      | CD                     | PASSED  | SCALE - 2.1                | DESIGN AUTHORITY           |
|      |           |           |                       |      |      | sd-                    |         | EST WEIGHT                 | ARDE PUNE-21               |
| 2-   | 21-3-2004 |           | RETRACED              |      |      | APPROVED               | sd-     | GAUGE SCHED                |                            |
| 1-   | 31-1-84   |           | TRACED WITHOUT CHANGE |      |      | 04-Feb 84 FOR DIRECTOR |         | DATE - 25-8-80             |                            |
| R No | DATE      | AUTHORITY | BRIEF RECORD          | ZONE | CD   | GO                     | MATL. - |                            |                            |
|      |           |           |                       |      | SIGN |                        |         |                            |                            |
|      |           |           | DRG SEALED            | sd-  | wj   | Cd                     | CRE(AA) | PROTECTIVE FINISH AS ABOVE |                            |

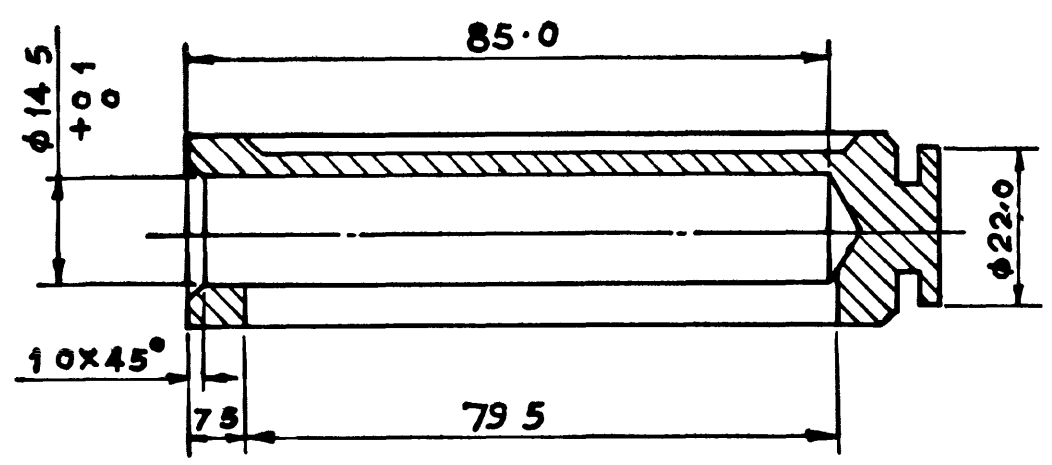
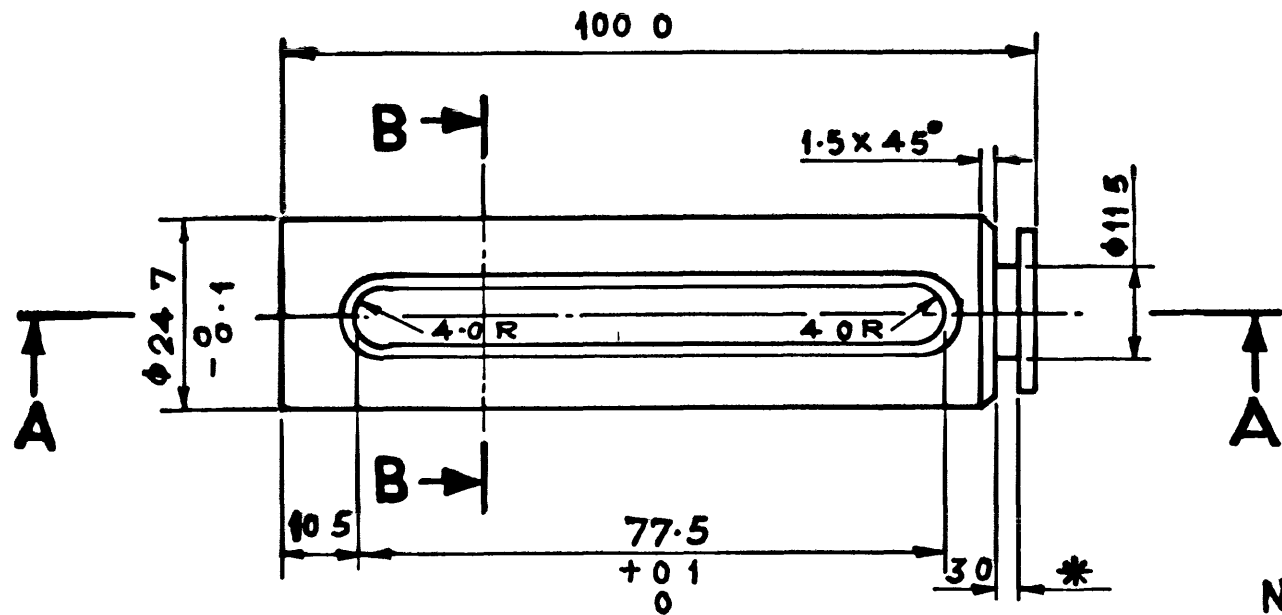
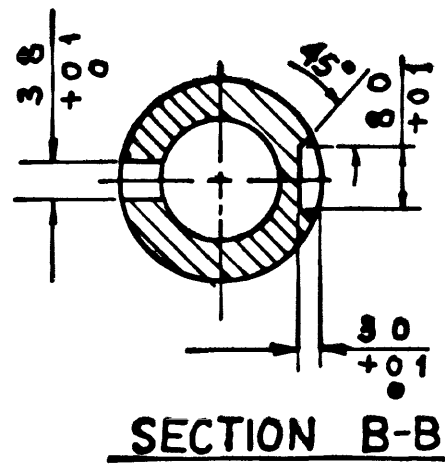
SLEEVE RACK ASSY

DRG No  
ARDE 1947  
DET No 15  
PART No  
DS CAT No  
AHSP

DRG NO  
ARDE 1947  
DET NO 16  
91 ON LVD  
ON TRVD

DRG CONVENTIONS CONFORM TO IS 696  
DIM ARE IN mm  
GEN TOL :- MEDIUM CLASS TO IS.2102

\* SLOT TO BE MADE AFTER MARKING THE LOCATION OF HOUSING RACK  
ASSY (DET 10 SHT 1) DURING ASSY WHEN THE PLUG & PINION SHAFT ARE  
IN THE UNLOCKED CONDITION

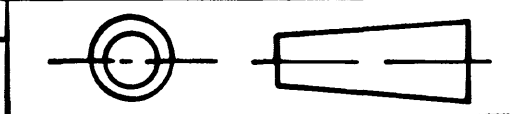


**NOTES :-**

- 1 ALL SHARP EDGES AND BURRS ARE TO BE REMOVED
- 2 SURFACE FINISH :-  $\sqrt{3.2}$  ALL OVER
- 3 DIMENSIONS ARE TO BE READ AS APPLYING AFTER COATING

|            |          |           |                             |      |       |   |                     |              |         |                       |
|------------|----------|-----------|-----------------------------|------|-------|---|---------------------|--------------|---------|-----------------------|
| 4          | 9-5-2000 |           | RETRACED WITHOUT CHANGE     |      |       | DRN LVP   | CHD DVK             | TRD SSN      | COMP SW | ASSY DRG ARDE 1947/15 |
| 3          | 23-2-93  |           | MATL AMENDED VIDE AL NO 698 |      |       | CD  | PASSED              | SCALE - 1:1  |         | DESIGN AUTHORITY      |
| 2          | 17-2-88  |           | AMENDED VIDE AL NO 592      | E-7  |       | APPROVED  | Wg Cdr FOR DIRECTOR | EST WEIGHT   |         | ARDE PUNE-21          |
| 1          | 26-2-83  |           | TRACED WITHOUT CHANGE       |      |       | SIGN  |                     | GAUGE SCHD   |         |                       |
| R No       | DATE     | AUTHORITY | BRIEF RECORD                | ZONE | CD GO | MATL - STEEL TO IS 5517-1978 40 C 10 S 18<br>OR BS 970 PART-I:1983 080 M 40 |                     | DATE 26-4-78 |         |                       |
| DRG SEALED |          | Sol       | Wg Cdr CRE (AA)             |      |       | PROTECTIVE FINISH -   |                     |              |         |                       |

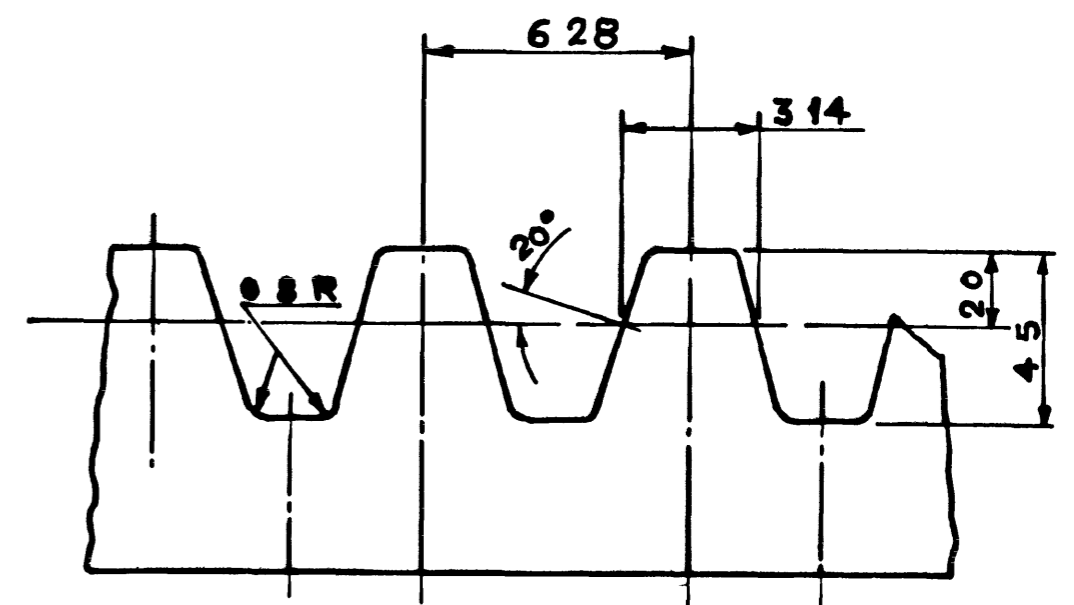
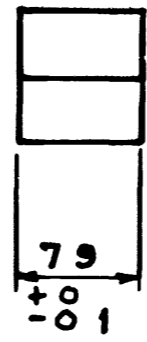
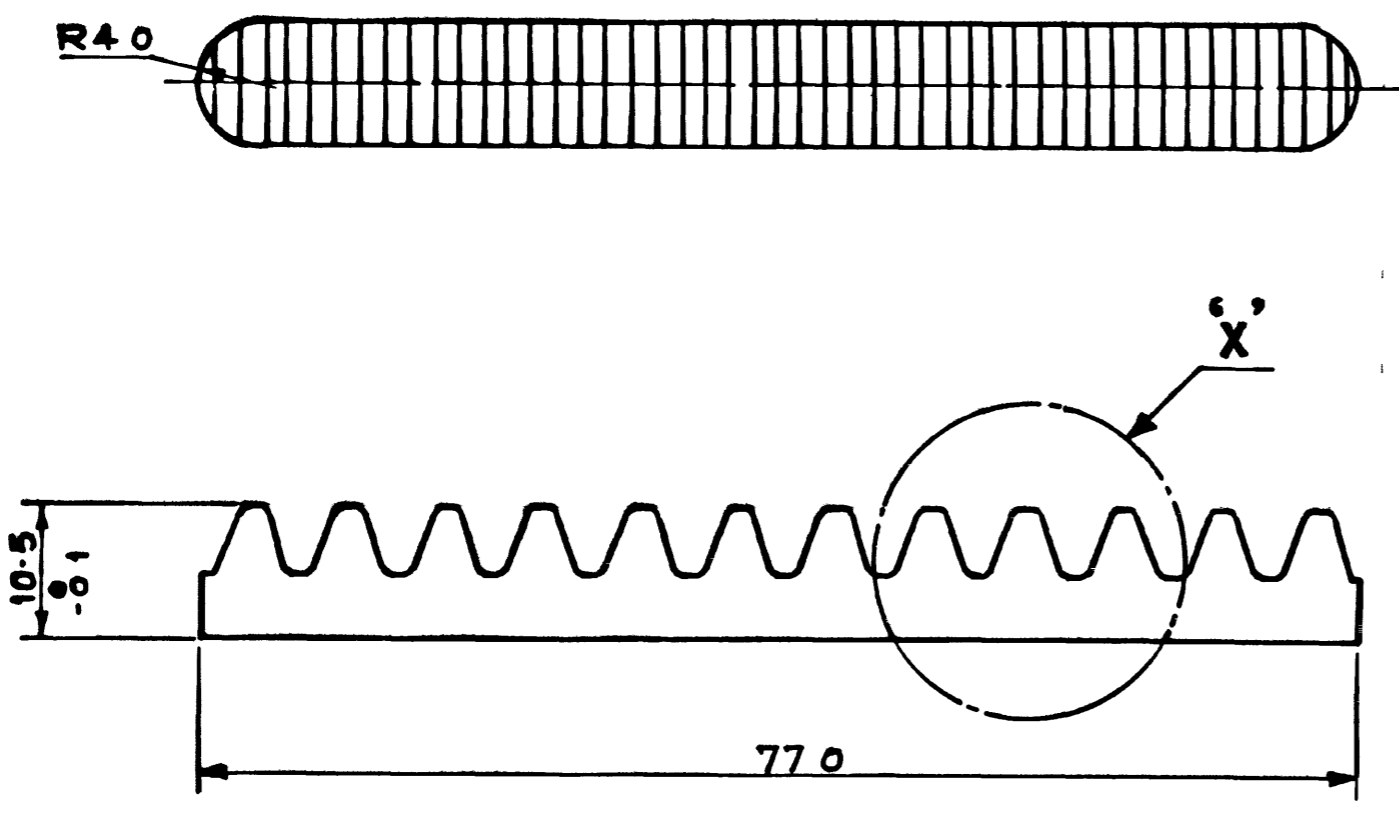
**SLEEVE RACK**



DRG NO  
ARDE 1947  
DET NO 16  
PART NO  
DS CAT NO.  
AHSP

|                 |                |             |
|-----------------|----------------|-------------|
| RETRACED        | CHECKED        | SEC CHECKED |
| <i>9-5-2000</i> | <i>13.6.24</i> | <i>23/3</i> |

|                  |   |                                    |   |   |   |   |   |
|------------------|---|------------------------------------|---|---|---|---|---|
| 8                | 7 | 6                                  | 5 | 4   | 3 | 2 | 1 |
| PART NO.         |   | DRG CONVENTIONS CONFORM TO IS: 696 |   | <b>NOTES:-</b><br>1 ALL SHARP EDGES & BURRS ARE TO BE REMOVED<br>2 NO OF TEETH — 12<br>3 DIMENSIONS ARE TO BE READ AS APPLYING AFTER COATING<br>4 SURFACE FINISH $\frac{3.2}{\mu}$ ALL OVER<br>5 TOOTH PROFILE & TOLERANCE TO MATCH WITH PINION (ARDE 1947 DET NO 25) |   |   |   |
| DET 17           |   | DIMNS ARE IN MM                    |   |   |   |   |   |
| SHTS             |   | GEN TOL:-MEDIUM CLASS TO IS. 2102  |   |   |   |   |   |
| SHTS             |   |                                    |   |   |   |   |   |
| <b>ARDE 1947</b> |   |                                    |   |   |   |   |   |
| DRG. NO.         |   |                                    |   |   |   |   |   |



**ENLARGED VIEW AT 'X'**

|            |           |      |                             |              |      |       |   |              |             |              |                       |
|------------|-----------|------|-----------------------------|--------------|------|-------|---|--------------|-------------|--------------|-----------------------|
| 4          | 11-5-2000 |      | RETRACED WITHOUT CHANGE     |              |      |       | DRN DVK   | CHD PRP      | TRD SSN     | COMP Sd      | ASSY DRG ARDE 1947/15 |
| 3          | 23-2-93   |      | MATL AMENDED VIDE AL NO 698 |              |      |       | CD Sd   | PASSED       | SCALE - 2.1 |              | DESIGN AUTHORITY      |
| 2          | 17-2-88   |      | AMENDED VIDE AL NO 592      | C-4          |      |       |   |              | EST WEIGHT  |              | <b>ARDE PUNE 21</b>   |
| 1          | 9-2-83    |      | TRACED WITHOUT CHANGE       | -            |      |       | APPROVED Sd Wg cdr  | FOR DIRECTOR | GAUGE SCHD  | DATE 20-5-78 |                       |
| R          | NO        | DATE | AUTHORITY                   | BRIEF RECORD | ZONE | CD GO | MATL - STEEL TO IS:5517-1978 40 C10 S18 OR BS:970 PART-I-1983 080 M40 |              |             |              |                       |
| DRG SEALED |           | Sd   | Wg Cdr CRE (AA)             |              |      |       | PROTECTIVE FINISH   |              |             |              | DRG NO                |

**RACK**

**ARDE 1947**  
 DET. 17 SHTS  
SHT NO  
 PART NO  
 D S CAT NO  
 AHSP

|             |          |             |
|-------------|----------|-------------|
| RETRACED    | CHECKED  | SEC CHECKED |
| @ 11-5-2000 | 13.6 214 | M 2313      |

DRG. NO. ARDE 1947

PART NO. DET 18

DRG CONVENTIONS CONFORM TO IS-696  
DIM ARE IN mm  
GEN TOL:- MEDIUM CLASS TO IS: 2102.

**LIST OF COMPONENT**

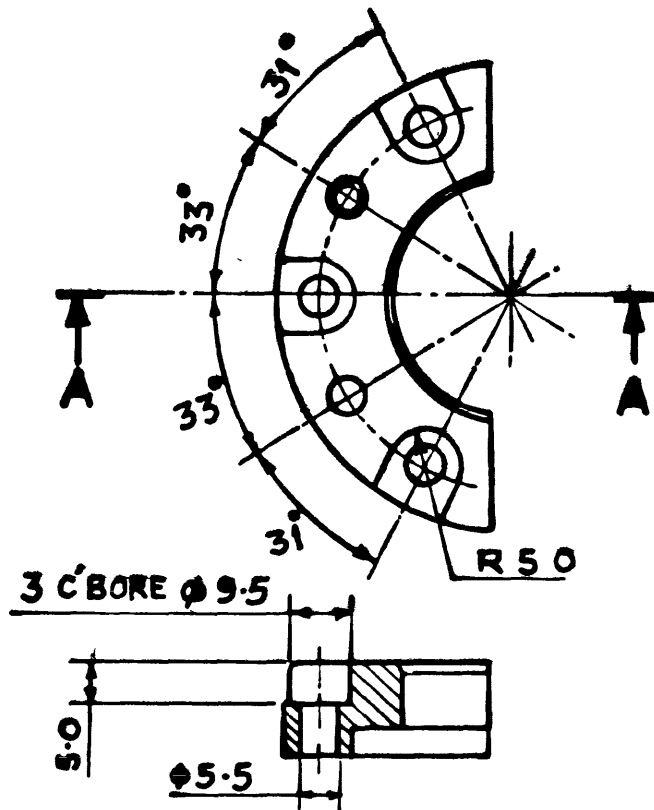
| ITEM NO. | NOMENCLATURE      | NO OFF | MATL | DRG NO    | DET NO | PART NO |
|----------|-------------------|--------|------|-----------|--------|---------|
| 1        | PIN HOUSING BLOCK | 1      |      | ARDE 1947 | 5      |         |

**NOTES :-**

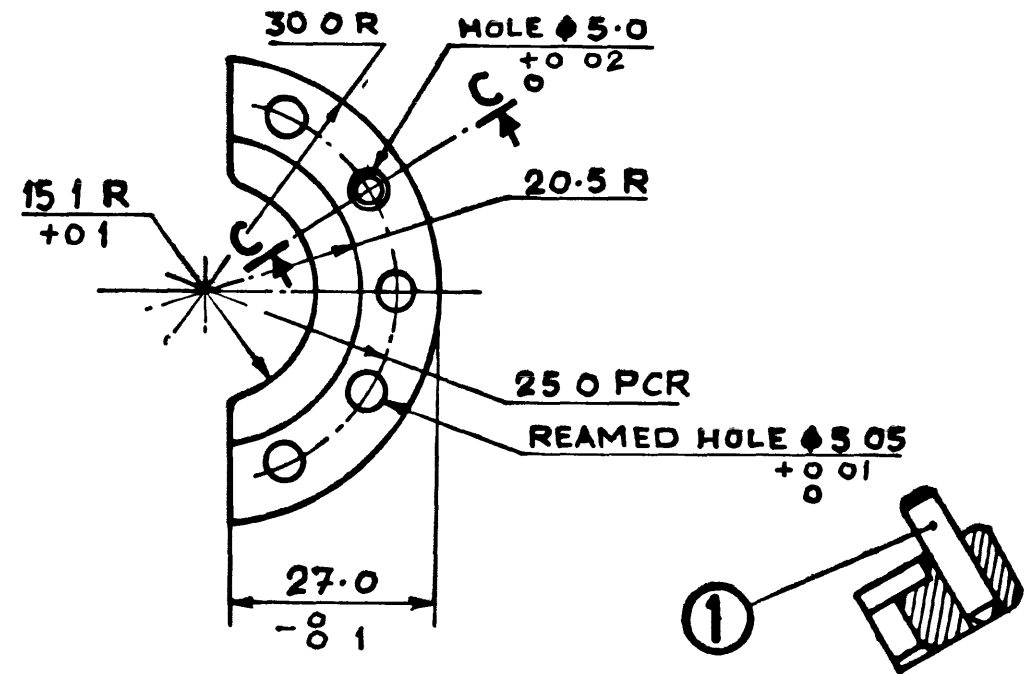
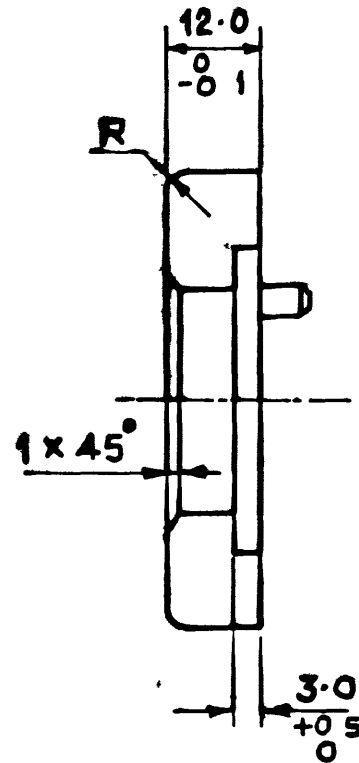
- ALL SHARP EDGES AND BURRS ARE TO BE REMOVED
- SURFACE FINISH  $\frac{3.2}{\sqrt{A}}$  ALL OVER.
- DIM ARE TO BE READ AS APPLYING AFTER COATING
- TOL FOR ANGLES GIVEN IN DEGREES  $\pm 0^{\circ} 30'$
- PIN TO BE ASSEMBLED TO THE PLATED HALF COLLAR
- AFTER CADMIUM PLATING THE PART SHOULD BE BAKED IMMEDIATELY AT 205°C FOR 8 TO 10 HOURS

**MATL. :-**

STEEL TO IS: 5517-1978 40 CD 818  
OR BS: 970 PART-I:1983 080 M40



**SECTION A-A**



**SECTION C-C**

**PROTECTIVE FINISH :-**

CADMIUM PLATED TO SPEC IS:1572 WITH CLASSIFICATION No Cd12

|      |         |           |                             |      |                     |                 |                |                     |                      |
|------|---------|-----------|-----------------------------|------|---------------------|-----------------|----------------|---------------------|----------------------|
| 5    | 18-2000 |           | RETRACED WITHOUT CHANGE     |      | DRN - LVP           | CHD - DVK       | TRD AGG        | COMP Sd             | ASSY DRG ARDE 1947/2 |
| 4    | 232-93  |           | MATL AMENDED VIDE AL NO 698 |      | CD Sd               | PASSED          | SCALE - 1:1    | DESIGN AUTHORITY    |                      |
| 3    | 23-2-88 |           | AMENDED VIDE AL NO 594      | CRE  |                     |                 | EST WEIGHT -   | <b>ARDE PUNE-21</b> |                      |
| 2    | 17-2-88 |           | AMENDED VIDE AL NO 592      | D-3  | APPROVED Sd         |                 | GAUGE SCHD -   |                     |                      |
| 1    | 19383   |           | TRACED WITHOUT CHANGE       |      | Wg cdr FOR DIRECTOR |                 | DATE - 29-4-78 |                     |                      |
| R No | DATE    | AUTHORITY | BRIEF RECORD                | ZONE | CD GO SIGN          | MATL - AS ABOVE |                |                     |                      |

DRG SEALED - Sd.

Wg cdr CRE (AA)

PROTECTIVE FINISH - AS ABOVE

DRG NO **ARDE 1947**

DET 18  
PART NO

DS CAT NO

AHSP

**HALF COLLAR, PINION SHAFT**

|                |           |                 |
|----------------|-----------|-----------------|
| RETRACED BY    | CHECKED   | SECTION CHECKED |
| <i>Wishist</i> | <i>Sd</i> | <i>19/3</i>     |

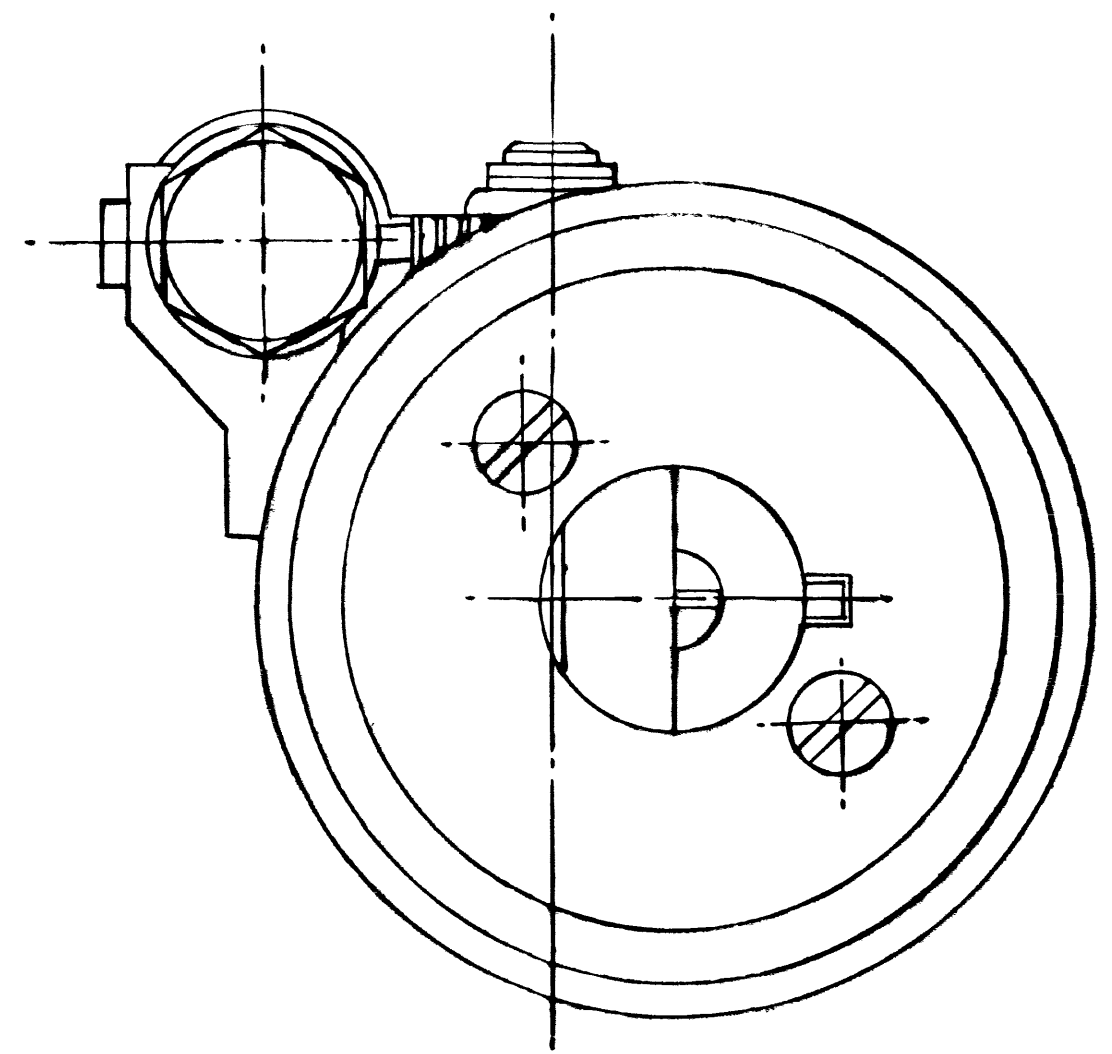
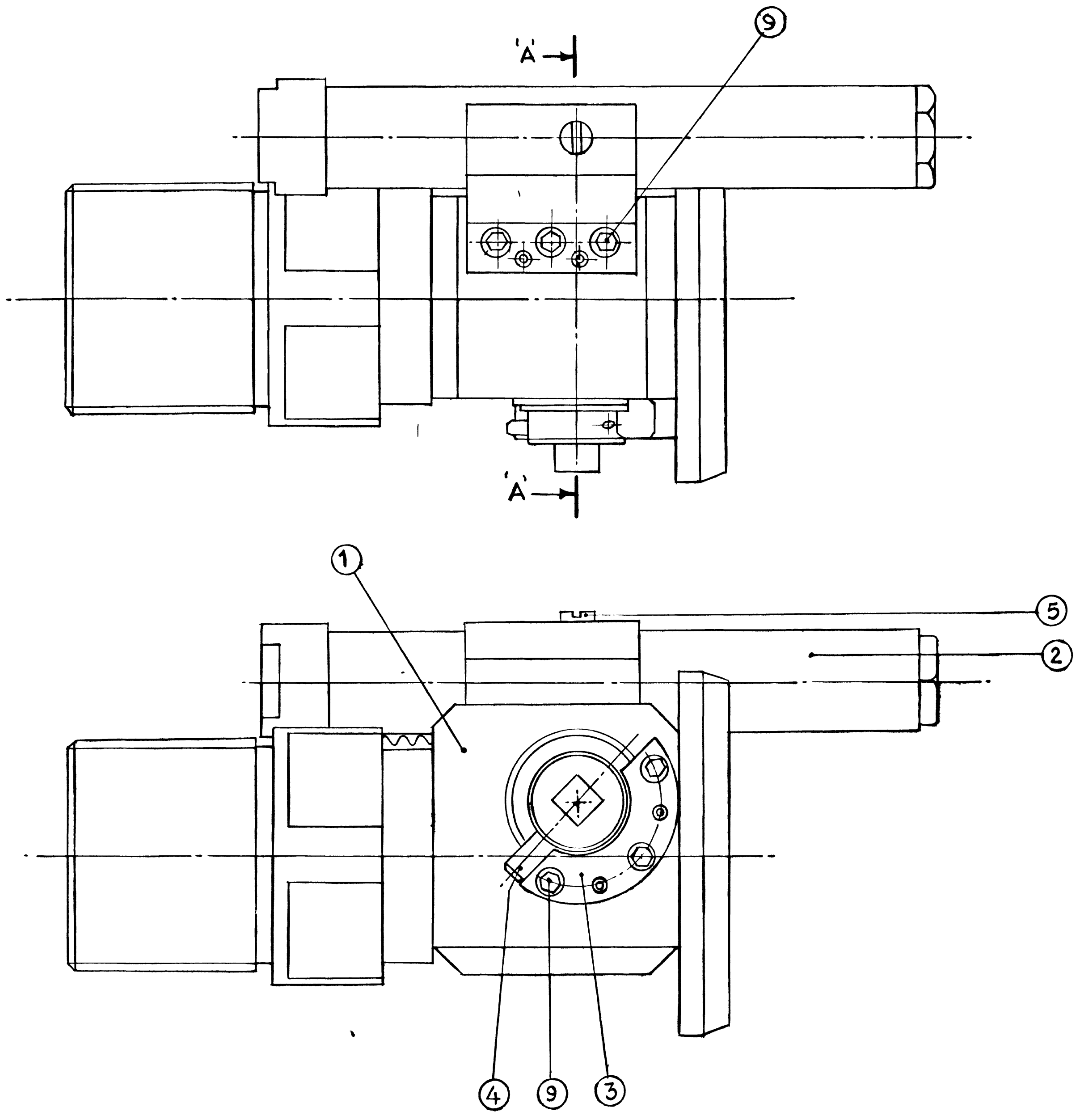
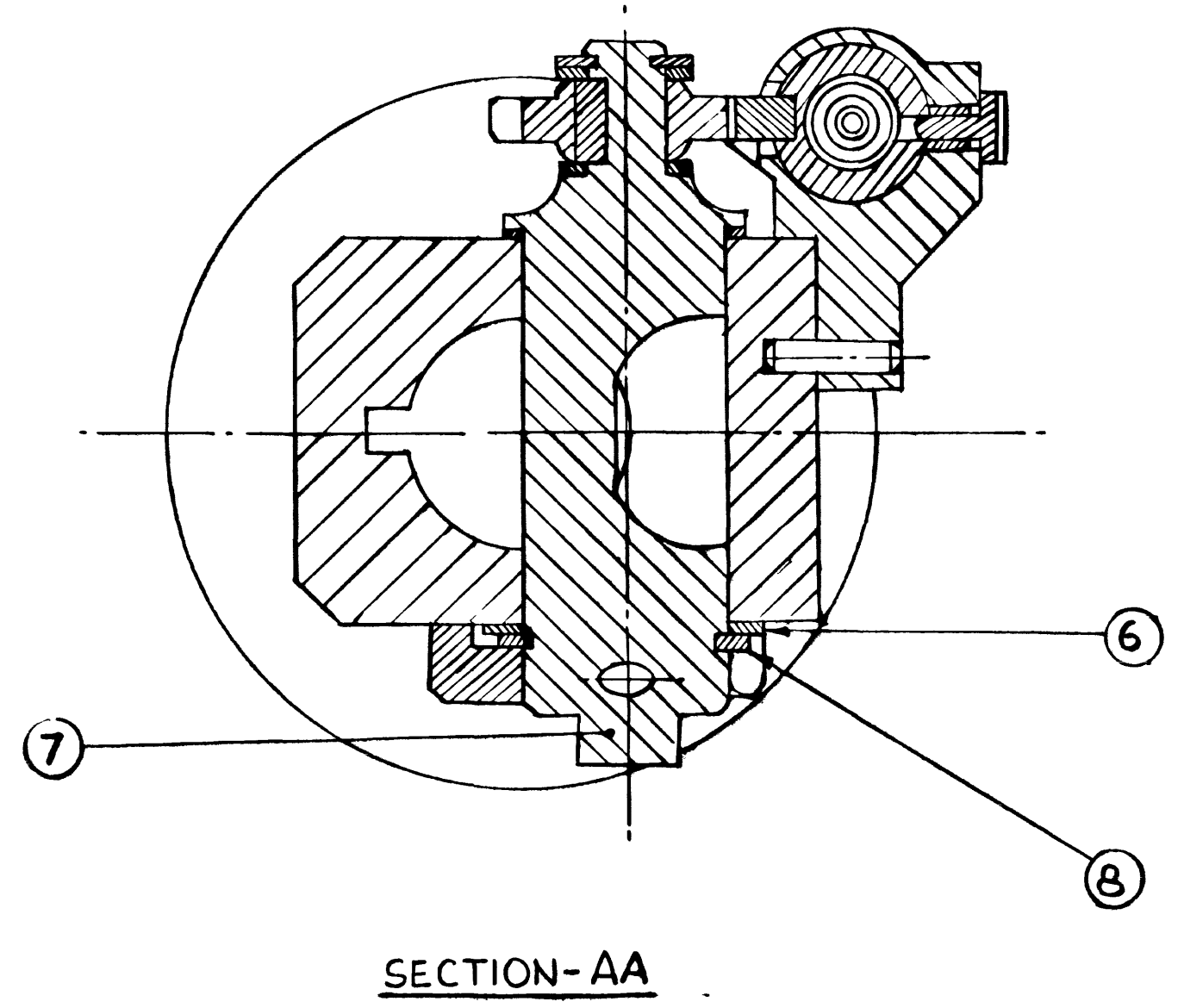
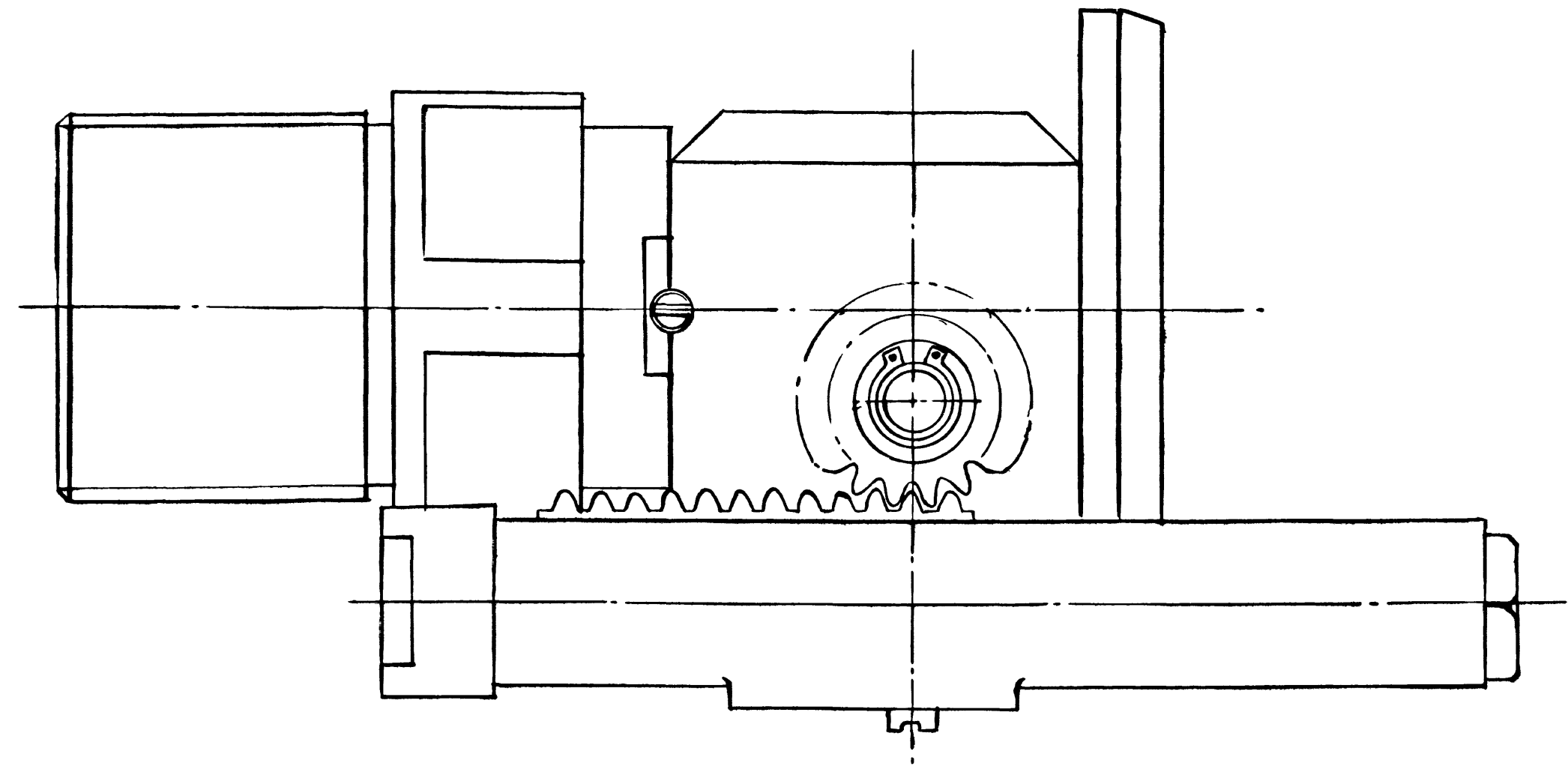
DRG. CONVENTION CONFORM TO IS: 696  
DIMENSIONS ARE IN MM  
GEN. TOL. - MEDIUM CLASS TO IS: 2102

DRG No. ARDE 1947  
DET No. 2  
PART No.

LIST OF COMPONENTS

| ITEM No. | NOMENCLATURE   | NO OFF | MATL  | DRG No    | DET No   | PART No. |
|----------|--|--------|-------|-----------|----------|----------|
| 1        | BLOCK HOUSING & ADAPTER ASSY                             | 1      |       | ARDE 1947 | 3        |          |
| 2        | HOUSING RACK ASSY  | 1      |       | ARDE 1947 | 10 SHT 1 |          |
| 3        | HALF COLLAR PINION SHAFT                                 | 1      |       | ARDE 1947 | 18       |          |
| 4        | PIN  | 1      |       | ARDE 1947 | 19       |          |
| 5        | GUIDE SCREW  | 1      |       | ARDE 1947 | 20       |          |
| 6        | WASHER FOR PINION SHAFT                                  | 2      |       | ARDE 1947 | 21       |          |
| 7        | PINION SHAFT ASSY  | 1      |       | ARDE 1947 | 22       |          |
| 8        | CIRCLIP, LIGHT A30, TO SPEC IS: 3075                     | 1      | STEEL | -         | -        |          |
| 9        | HEX SOCKET HEAD CAP SCREW M5 X 18 TO SPEC IS: 2269-P-B 8 | 6      | STEEL | -         | -        |          |

ITEMS NO 8 & 9 ARE TO BE CADMIUM PLATED TO IS: 1572  
WITH CLASSIFICATION No cd 12



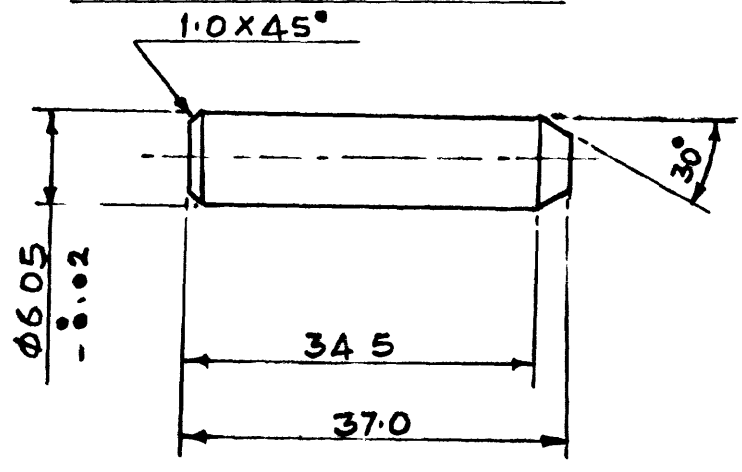
|            |           |                       |              |      |         |         |                     |                            |                   |
|------------|-----------|-----------------------|--------------|------|---------|---------|---------------------|----------------------------|-------------------|
| 2          | 25/4/2004 | TRACED WITHOUT CHANGE |              |      | DRN-LVP | CHD-PRP | TRD-VDV             | COMP sd                    | ASSY DRG ARDE / 1 |
| 1          | 25/3/83   | TRACED WITHOUT CHANGE |              |      | CH      | PASSED  | SCALE - 1:1         | EST WEIGHT                 | DESIGN AUTHORITY  |
| R No       | DATE      | AUTHORITY             | BRIEF RECORD | ZONE | CD      | GO      | MATL                | FOR DIRECTOR DATE - 3 6 78 | GAUGE SCHED       |
| DRG SEALED | -sd-      | 4-2-84                |              |      |         |         | PROTECTIVE FINISH - |                            | ARDE PUNE-21      |

BLOCK HOUSING ASSY

DRG No. ARDE 1947  
DET No. 2  
PART No.  
D S CAT No.  
AHSP

|           |   |   |   |
|-----------|---|---|---|
| 4         | 3   | 2 | 1 |
| PART NO   | DRG CONVENTIONS COMFORM TO IS 696<br>DIM. ARE IN MM |   |   |
| DET No 19 | GEN TOL MEDIUM CLASS TO IS: 2102                    |   |   |
| ARDE 1947 |   |   |   |
| DRG. NO   |   |   |   |

- NOTES:-**
- 1- ALL SHARP EDGES AND BURRS ARE TO BE REMOVED
  - 2- SURFACE FINISH  $\sqrt{32}$  ALL OVER
  - 3- DIM ARE TO BE TREATED AS APPLING AFTER COATING
  - 4- TOL FOR ANGLES GIVEN IN DEGREES  $\pm 0'30''$
  - 5- AFTER CADMIUM PLATING THE PART SHOULD BE BAKED IMMEDIATELY AT 205°C FOR 8 TO 10 HOURS
  - 6- HARDNESS - 300 + 50 HV



**PROTECTIVE FINISH:-**  
 CADMIUM PLATED TO SPEC IS 1572  
 WITH CLASSIFICATION NO cd 12

|      |      |           |  |                             |       |    |      |    |
|------|------|-----------|--|-----------------------------|-------|----|------|----|
| A    | 4    | 28.4.2000 |  | TRACED WITHOUT CANGE        |       |    | as   | as |
|      | 3    | 23.2.93   |  | MATL AMENDED VIDE AL No 698 |       |    |      |    |
|      | 2    | 5.1.87    |  | AMENDED VIDE AL No 565      | C-3&4 | sd | sd   |    |
|      | 1    | 25.2.83   |  | TRACED WITHOUT CHANGE       |       | sd | sd   |    |
| R No | DATE | AUTHORITY |  | BRIEF RECORD                | ZONE  |    | CD   | GO |
|      |      |           |  |                             |       |    | SIGN |    |

DRG SEALED sd- wj cdy CRE (AA)

|  |                     |            |          |                      |
|--|---------------------|------------|----------|----------------------|
| DRN DVK  | CHD PRP             | TRD HDD    | COMP sd. | ASSY DRG ARDE 1947/2 |
| CD   | PASSED              | SCALE      | 2:1      | DESIGN AUTHORITY     |
|  |                     | EST WEIGHT |          | ARDE PUNE - 21       |
| APPROVED   | sd.                 | GUAGE SCHD |          |                      |
|  | wj cdy FOR DIRECTOR | DATE       | 29-4-78  |                      |
| MATL - STEEL TO SPEC IS 5517-1978 40 N16 C8<br>4 M03 OR BS 970 PART-1 1983 817 MAD |                     |            |          |                      |

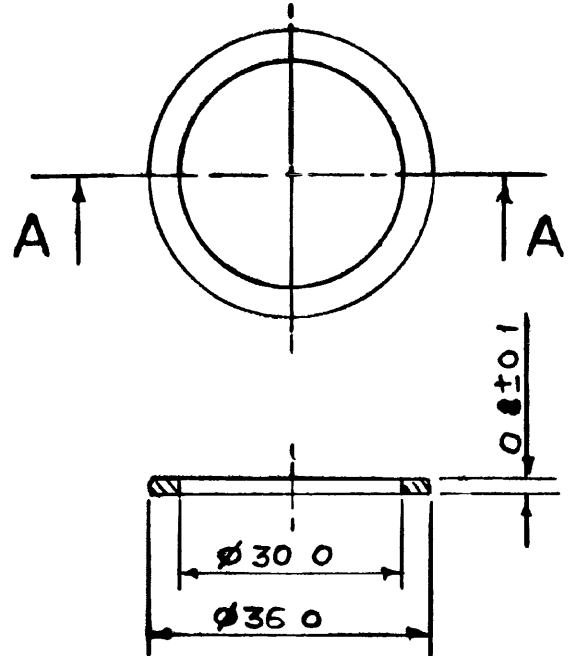
|                              |            |
|------------------------------|------------|
| PROTECTIVE FINISH - AS ABOVE | DRG No     |
| <h1>PIN</h1>                 | ARDE 1947  |
|                              | DET No 19  |
|                              | PART No    |
|                              | D.S CAT No |
|                              | AHSP       |



4 3 2 1

DRG. CONVENTIONS CONFORM TO IS 696  
 DIMNS ARE IN MM  
 GEN TOL. - MEDIUM CLASS TO IS 2102  
 DRG. NO. ARDE 1947  
 DET NO 21  
 PART NO

NOTE:- FLASHES AND EXCESS MATERIAL TO BE REMOVED



SECTION-A-A

MATL:-  
L-D POLYTHENE TO SPEC ISS 1213A NATURAL COLOUR  
PREFERABLY ICI WNG 14 OR  
NYLON TO TENSILE STRENGTH 500 kg/cm<sup>2</sup> ELONGATION 200%

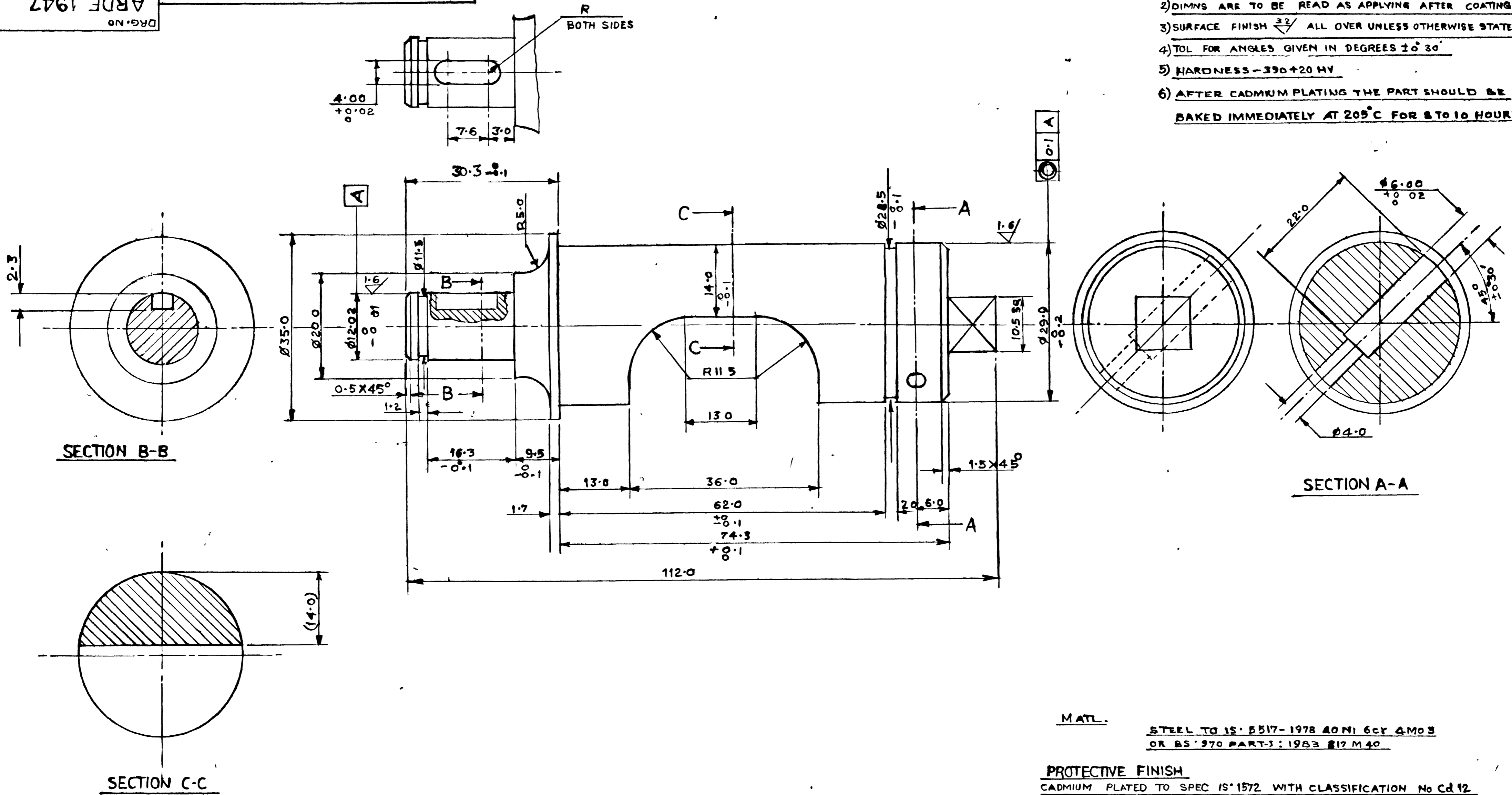
|      |          |           |                         |      |  |           |           |
|------|----------|-----------|-------------------------|------|--|-----------|-----------|
| 2    | 1-5-2000 |           | RETRACED WITHOUT CHANGE |      |  | <i>sd</i> | <i>sd</i> |
| 1    | 28283    |           | TRACED WITHOUT CHANGE   |      |  | <i>sd</i> | <i>sd</i> |
| R NO | DATE     | AUTHORITY | BRIEF RECORD            | ZONE |  | CD        | GO        |
|      |          |           |                         |      |  | SIGN      |           |

|   |         |              |                |                             |  |  |  |
|---|---------|--------------|----------------|-----------------------------|--|--|--|
| DRG SEALED <i>sd</i>  |         |              |                | W <sub>2</sub> Cdr CRE (AA) |  |  |  |
| DRN DVK   | CHD DVK | TRD AVS      | COMP <i>sd</i> | ASSY DRG ARDE 1947/2        |  |  |  |
| CD <i>sd</i>  | PASSED  | SCALE - 1:1  |                | DESIGN AUTHORITY            |  |  |  |
|   |         | EST WEIGHT   |                | ARDE, PUNE-21               |  |  |  |
| APPROVED <i>sd</i>  |         | GAUGE SCHED  |                |                             |  |  |  |
| W <sub>2</sub> Cdr FOR DIRECTOR   |         | DATE 29 4 78 |                |                             |  |  |  |
| MATL. - AS ABOVE  |         |              |                |                             |  |  |  |
| PROTECTIVE FINISH   |         |              |                | DRG NO                      |  |  |  |
| <p style="text-align: center;"><u>WASHER,</u><br/><u>FOR PINION SHAFT</u></p> |         |              |                | ARDE 1947                   |  |  |  |
|   |         |              |                | DET NO 21                   |  |  |  |
|   |         |              |                | PART NO.                    |  |  |  |
|   |         |              |                | DSCAT NO.                   |  |  |  |
|   |         |              |                | AHSP                        |  |  |  |

DRG NO  
ARDE 1947  
DET 23  
PART NO

DRG CONVENTIONS CONFORM TO IS: 696.  
DIMNS ARE IN mm  
GEN TOL: MEDIUM CLASS TO IS: 2102

- NOTE:-**
- 1) ALL SHARP EDGES & BURRS ARE TO BE REMOVED.
  - 2) DIMNS ARE TO BE READ AS APPLYING AFTER COATING
  - 3) SURFACE FINISH  $\sqrt{32}$  ALL OVER UNLESS OTHERWISE STATED
  - 4) TOL FOR ANGLES GIVEN IN DEGREES  $\pm 0' 30''$
  - 5) HARDNESS - 390+20 HV
  - 6) AFTER CADMIUM PLATING THE PART SHOULD BE BAKED IMMEDIATELY AT 205°C FOR 8 TO 10 HOURS.



**MATL.** STEEL TO IS: 5517-1978 40Ni 6Cr 4Mo3  
OR BS: 970 PART-3: 1983 17 M 40

**PROTECTIVE FINISH**  
CADMIUM PLATED TO SPEC IS: 1572 WITH CLASSIFICATION No Cd 12

|      |           |                              |                 |      |               |           |                             |                  |                       |
|------|-----------|------------------------------|-----------------|------|---------------|-----------|-----------------------------|------------------|-----------------------|
| 4    | 20-4-2000 | DRG RETRACED                 |                 |      | DRN KARM PARI | CHD D V K | TRD H D D                   | COMP $\sqrt{32}$ | ASSY DRG ARDE 1947/22 |
| 3    | 22-2-83   | MATL AMENDED VIDE AL No. 698 |                 |      | CD            | Sol       | PASSED                      | SCALE - 2:1      | DESIGN AUTHORITY      |
| 2    | 17-2-80   | AMENDED VIDE AL No. 592      | F-2             | Sol  | APPROVED      | Sol       |                             | EST WEIGHT       | ARDE PUNE-21.         |
| 1    | 16-3-83   | TRACED WITHOUT CHANGE.       |                 | Sol  |               | Sol       | FOR DIRECTOR                | GAUGE SCHD       |                       |
| R NO | DATE      | AUTHORITY                    | BRIEF RECORD    | ZONE | CD            | GO        | MATL:-                      | DATE, 24-4-78    |                       |
|      |           |                              | Wg Cdr CRE (AA) |      | SIGN          |           | AS ABOVE                    |                  |                       |
|      |           |                              | DRG SEALED.     |      |               |           | PROTECTIVE FINISH, AS ABOVE |                  |                       |

**PINION SHAFT**

DRG No  
ARDE 1947  
DET. 23  
PART NO  
D.S CAT NO.  
AHSP

TRACED CHD, CHD SECTION  
Blair Silver

ARDE 1947

DET No 24

DRG No

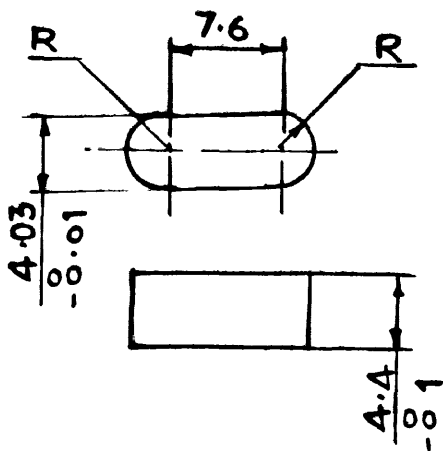
PART No

DRG CONVENTION CONFORM TO IS 696  
DIM ARE IN MM

GEN TOL. MEDIUM CLASS TO IS 2102

**NOTES**

- 1- ALL SHARP EDGES AND BURRS ARE TO BE REMOVED
- 2- DIM ARE TO BE READ AS APPLYING AFTER COATING
- 3- SURFACE FINISH 1.6 ALL OVER
- 4- AFTER CADMIUM PLATING THE PART SHOULD BE BAKED IMMEDIATELY AT 205°C FOR 8 TO 10 HOURS



**MATL:-** STEEL TO IS 5517-1978  
40 C10 S18 OR BS: 970  
PART-I-1983 080 M40

**PROTECTIVE FINISH**  
CADMIUM PLATED TO IS: 1572 WITH  
CLASSIFICATION No Cd 12

|      |          |           |                             |      |      |    |
|------|----------|-----------|-----------------------------|------|------|----|
| 3    | 1-5-2000 |           | TRACED WITHOUT CHANGE       |      | sd   | sd |
| 2    | 23-2-93  |           | MATL AMENDED VIDE AL No 698 |      |      |    |
| 1    | 14-2-83  |           | TRACED WITHOUT CHANGE       |      | sd   | sd |
| R No | DATE     | AUTHORITY | BRIEF RECORD                | ZONE | CD   | GO |
|      |          |           |                             |      | SIGN |    |

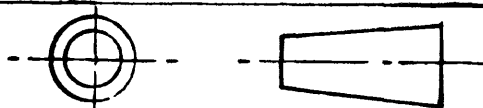
DRG SEALE sd- w/ cdy CRE (AA)

|              |     |        |           |         |      |      |                       |
|--------------|-----|--------|-----------|---------|------|------|-----------------------|
| RRN          | DVK | CHD    | DVK       | TRD     | DBG  | COMP | ASSY DRG ARDE 1947/22 |
| CD           |     | PASSED |           | SCALE   | 2:1  |      | DESIGN AUTHORITY      |
| APPROVED     |     |        | sd- wgedr | GAUGE   | SCHD |      | ARDE PUNE-21          |
| FOR DIRECTOR |     |        | DATE:     | 15-5-78 |      |      |                       |

MATL:- AS ABOVE

PROTECTIVE FINISH: AS ABOVE

**KEY, PINION**



DRG. No ARDE-1947

DET No 24

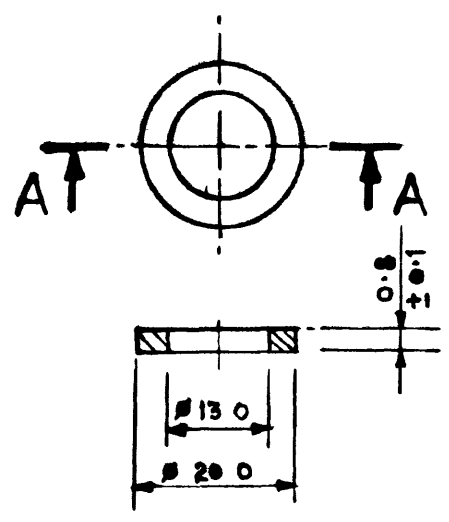
PART No

DS CAT No

AHSP

|                            |                                     |   |   |
|----------------------------|-------------------------------------|---|---|
| 4                          | 3                                   | 2 | 1 |
| PART No.                   | DRG CONVENTIONS CONFORM TO IS . 696 |   |   |
| DET No 26                  | GEN TOL.: MEDIUM CLASS TO IS 2102.  |   |   |
| DRG.No<br><b>ARDE 1947</b> |                                     |   |   |

NOTE:- FLASHES AND EXCESS MATERIAL TO BE REMOVED.



SECTION-A-A

MATL:-

L D POLYTHENE TO SPEC. JSS 1213 A NATURAL COLOUR PREFERABLY  
ICI WNG 14, OR  
NYLON TO TENSILE STRENGTH 500 Kg / Cm<sup>2</sup> ELONGATION 200 %.

|          |          |           |                       |      |           |           |
|----------|----------|-----------|-----------------------|------|-----------|-----------|
| 2        | 5-5-2000 | -         | DRG RE-TRACED         | -    | <i>ak</i> | <i>ak</i> |
| 1        | 28 2 83  | -         | TRACED WITHOUT CHANGE | -    | Sd/-      | Sd/-      |
| R<br>No. | DATE     | AUTHORITY | BRIEF RECORD          | ZONE | CD        | GO        |
|          |          |           |                       |      |           | SIGN      |

|                   |         |              |                     |      |                        |
|-------------------|---------|--------------|---------------------|------|------------------------|
| DRG SEALED        |         | Sd/-         | WG CDR              |      | CRE (AA)               |
| DRN DVK           | CHD DVK | TRD AVS      | COMP                | Sd/- | ASSY DRG. ARDE 1947/22 |
| CD                | PASSED  | SCALE        | 1 1                 |      | DESIGN AUTHORITY       |
| Sd/-              |         | EST. WEIGHT  | <b>ARDE-PUNE-21</b> |      |                        |
| APPROVED          | Sd/-    | WG CDR       |                     |      |                        |
| FOR DIRECTOR      |         | GAUGE SCHD.  |                     |      |                        |
|                   |         | DATE 29 4 78 |                     |      |                        |
| MATL.: AS ABOVE   |         |              |                     |      |                        |
| PROTECTIVE FINISH |         |              |                     |      |                        |
| <b>WASHER,</b>    |         |              |                     |      |                        |
| <b>FOR PINION</b> |         |              |                     |      |                        |
|                   |         |              | DRG. No,            |      | <b>ARDE 1947</b>       |
|                   |         |              | DET No. 26          |      |                        |
|                   |         |              | PART No.            |      |                        |
|                   |         |              | D. S. CAT No.       |      |                        |
|                   |         |              | AHSP                |      |                        |

|                                    |                           |                          |
|------------------------------------|---------------------------|--------------------------|
| TRACED                             | CHECKED DRG SECTION       | CHECKED SECTION          |
| <i>Gur Mohan Singh</i><br>5/5/2000 | <i>Chitra</i><br>9/5/2000 | <i>Arde</i><br>19/5/2000 |

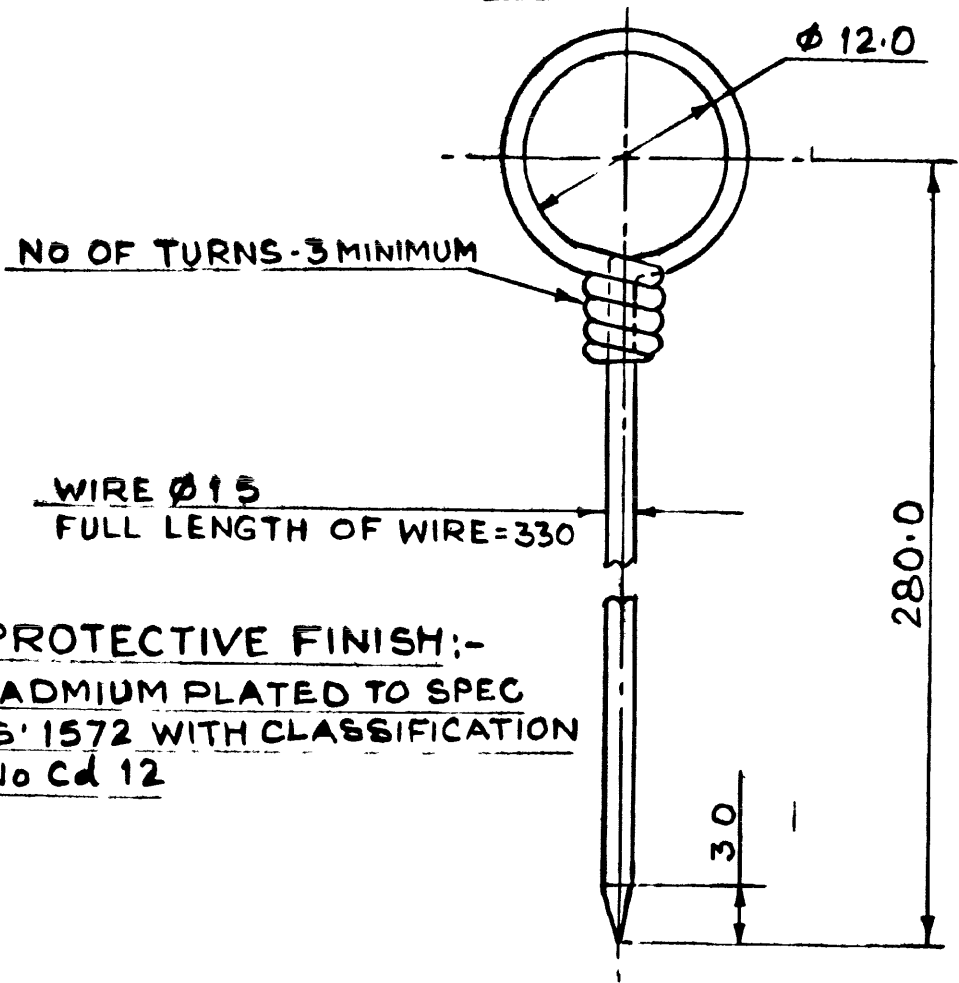
4 3 2 1

DRG CONVENTIONS CONFORM TO IS 696  
DIM ARE IN mm

GEN TOL. MEDIUM CLASS TO IS: 2102

**NOTE:- AFTER CADMIUM PLATING THE PART SHOULD BE BAKED IMMEDIATELY AT 205°C FOR 8 TO 10 HOURS**

ON PART NO  
DET NO 27  
**ARDE 1947**  
ON DRG NO



**PROTECTIVE FINISH:-**  
**CADMIUM PLATED TO SPEC**  
**IS: 1572 WITH CLASSIFICATION**  
**No Cd 12**

|      |          |           |                       |      |    |      |
|------|----------|-----------|-----------------------|------|----|------|
| 2    | 3 5 2004 |           | TRACED WITHOUT CHANGE |      | sd | sd   |
| 1    | 16283    |           | TRACED WITHOUT CHANGE |      | sd | sd   |
| R No | DATE     | AUTHORITY | BRIEF RECORD          | ZONE | CD | GO   |
|      |          |           |                       |      |    | SIGN |

|  |         |         |              |                       |  |  |
|--|---------|---------|--------------|-----------------------|--|--|
| DRG. SEALED sd- w/cdy CRE (AA)           |         |         |              |                       |  |  |
| DRN- DVK                                 | CHD LVP | TRD BMN | COMP sd-     | ASSY DRG ARDE 1947 /1 |  |  |
| CD                                       | sd-     | PASSED  | SCALE - 2 1  | DESIGN AUTHORITY      |  |  |
|  |         |         | EST WEIGHT   | ARDE PUNE 21          |  |  |
| APPROVED sd                              |         |         | GAUGE SCHED  |                       |  |  |
| w/cdy FOR DIRECTOR                       |         |         | DATE 25-5-78 |                       |  |  |
| MATL - STEEL TO SPEC IS: 4454 Pt 1, Gd 2 |         |         |              |                       |  |  |
| PROTECTIVE FINISH - AS ABOVE             |         |         |              | DRG NO                |  |  |
| <b><u>PIN, ARMING</u></b>                |         |         |              | ARDE 1947             |  |  |
|  |         |         |              | DET No 27             |  |  |
|  |         |         |              | PART No               |  |  |
|  |         |         |              | DS CAT No             |  |  |
|  |         |         |              | AHSP                  |  |  |

TRD BY *sd* / *2004* | CHD BY DRG *sd* / *2004* | CHD BY SEC *sd* / *2004*

19/03

DRG No  
ARDE-1947  
DET No 28  
PART No.

DRG CONVENTIONS CONFORM TO IS 696  
DIMNS ARE IN mm

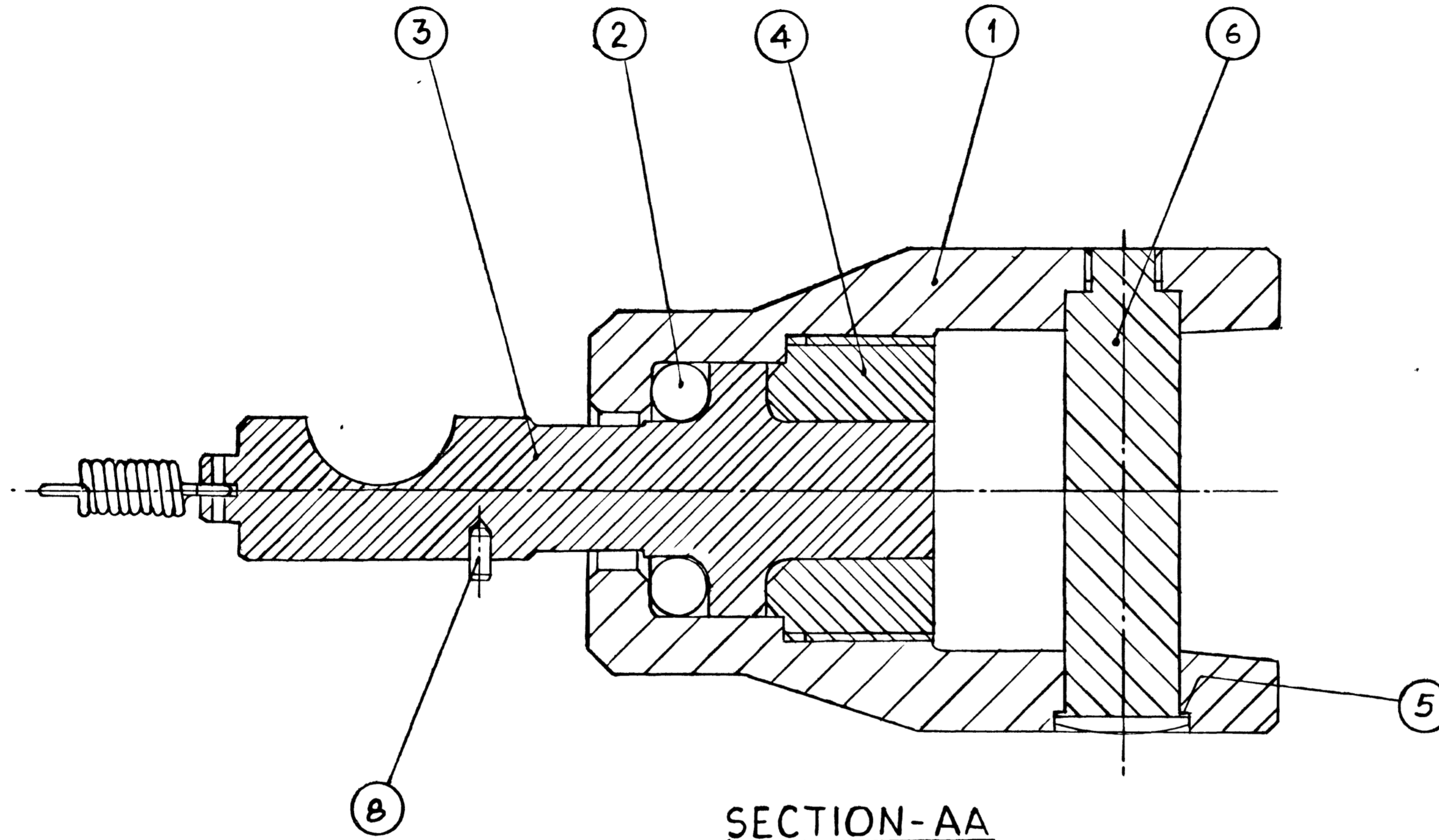
GEN TOL. :-

NOTE :- BALLS TO BE POSITIONED  
WITH GREASE L No 3 TO IS 507

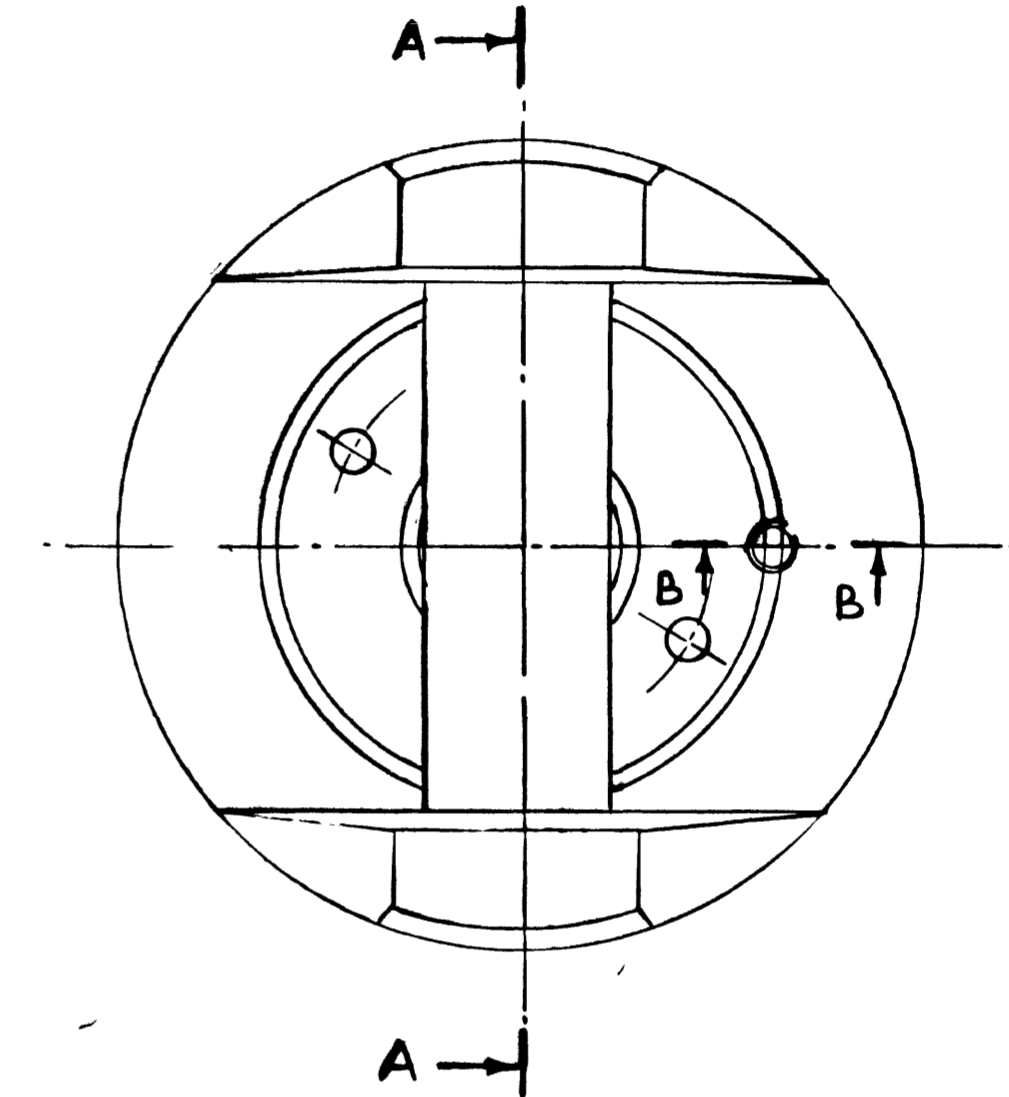
LIST OF COMPONENTS

| ITEM No | NOMENCLATURE                                   | No OF | MATL  | DRG No    | DET No | PART No |
|---------|--|-------|-------|-----------|--------|---------|
| 1       | CLEVIS   | 1     |       | ARDE 1947 | 29     |         |
| 2       | BALL STEEL ANTI-FRICTION Ø12.0 TO SPEC IS 2858 | 11    | STEEL | ND        |        |         |
| 3       | PLUG SHAFT ASSY                                | 1     |       | ARDE 1947 | 30     |         |
| 4       | BUSH   | 1     | "     | "         | 34     |         |
| 5       | WASHER CLEVIS PIN                              | 1     | "     | "         | 35     |         |
| 6       | CLEVIS PIN                                     | 1     | "     | "         | 36     |         |
| 7       | GRUB SCREW 'A' M6X12 TO SPEC IS 2388-4.8       | 1     | STEEL | ND        |        |         |
| 8       | PIN, LOCATING PLUG SHAFT                       | 1     |       | ARDE 1947 | 37     |         |

ITEM No 7 IS TO BE CADMIUM PLATED TO IS 1572  
WITH CLASSIFICATION No Cd 12

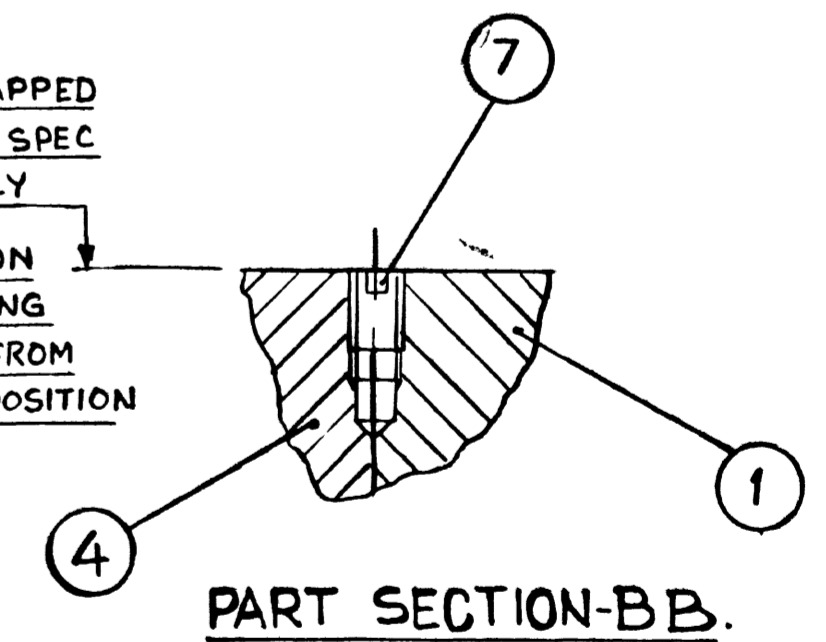


SECTION-AA



HOLE TO BE DRILLED & TAPPED  
M6X1-6HX15.0 DEEP TO SPEC  
IS: 4218 AFTER ASSEMBLY

ENSURING FREE ROTATION  
OF CLEVIS BY UNSCREWING  
NOT MORE THAN 1/4 TURN FROM  
THE FULLY SCREWED IN POSITION



PART SECTION-BB.

|      |         |           |              |                       |     |      |                      |                      |
|------|---------|-----------|--------------|-----------------------|-----|------|----------------------|----------------------|
| DRN  | LVP     | CHD       | DVK          | TRD                   | RYM | COMP | sd.                  | ASSY DRG ARDE 1947/1 |
|      |         |           |              |                       |     |      |                      | DESIGN AUTHORITY     |
|      |         |           |              |                       |     |      |                      | ARDE PUNE-21         |
| 2    | 24/2/80 |           |              | RETRACED              |     |      |                      |                      |
| 1    | 28/2/83 |           |              | TRACED WITHOUT CHANGE |     |      |                      |                      |
| R No | DATE    | AUTHORITY | BRIEF RECORD | ZONE                  | CD  | GO   | MATL :-              |                      |
|      |         |           |              |                       |     |      | PROTECTIVE FINISH :- |                      |

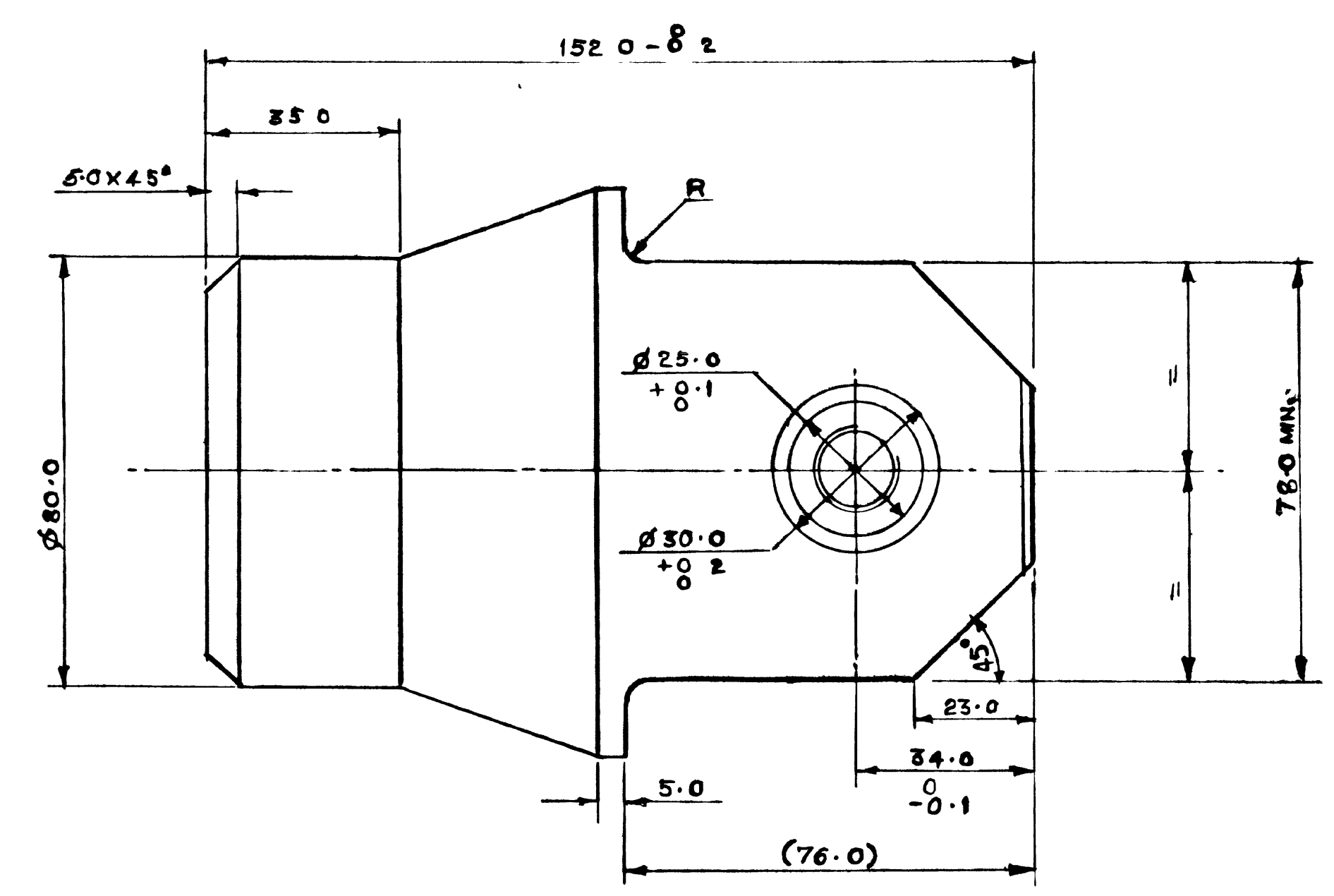
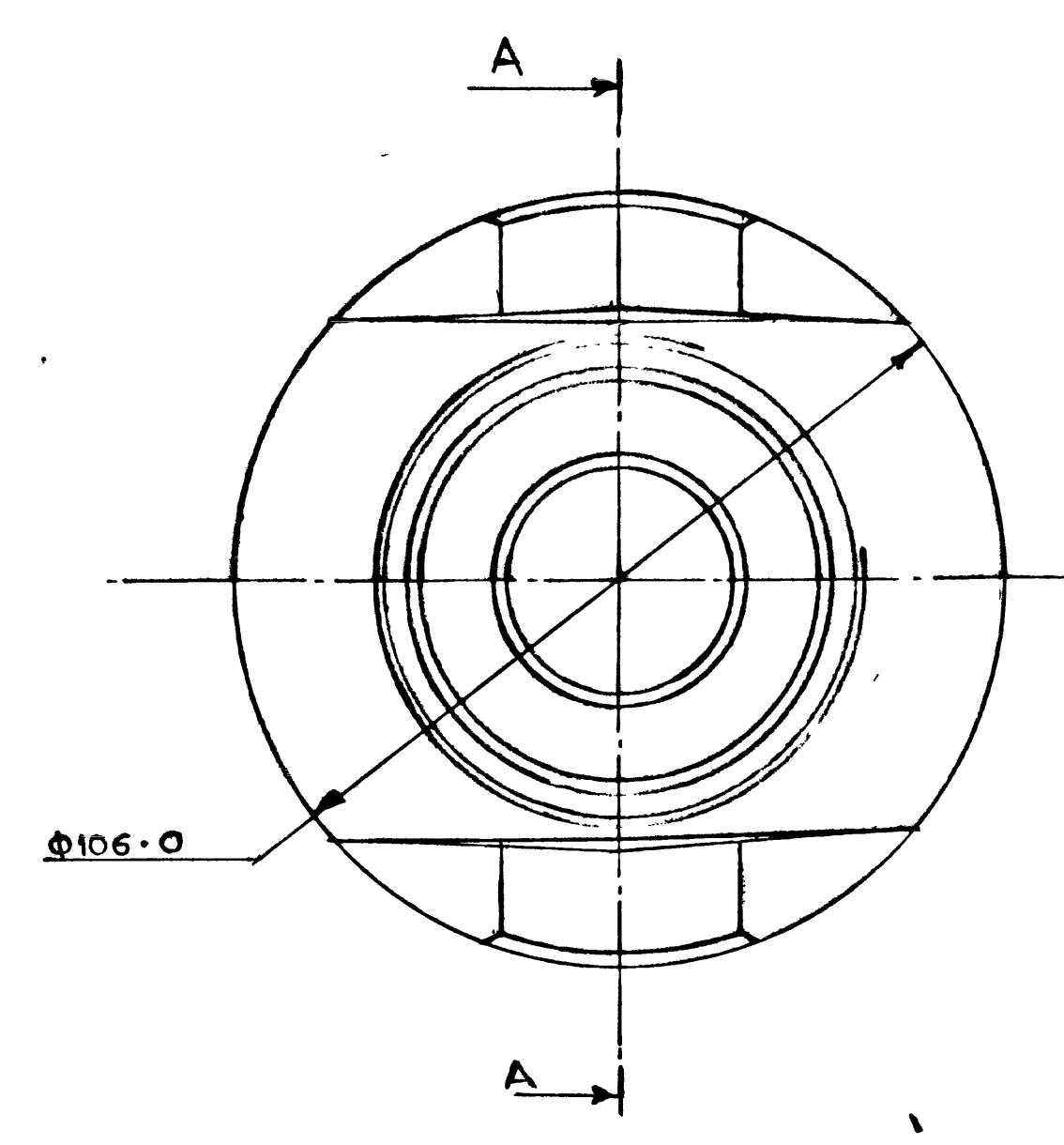
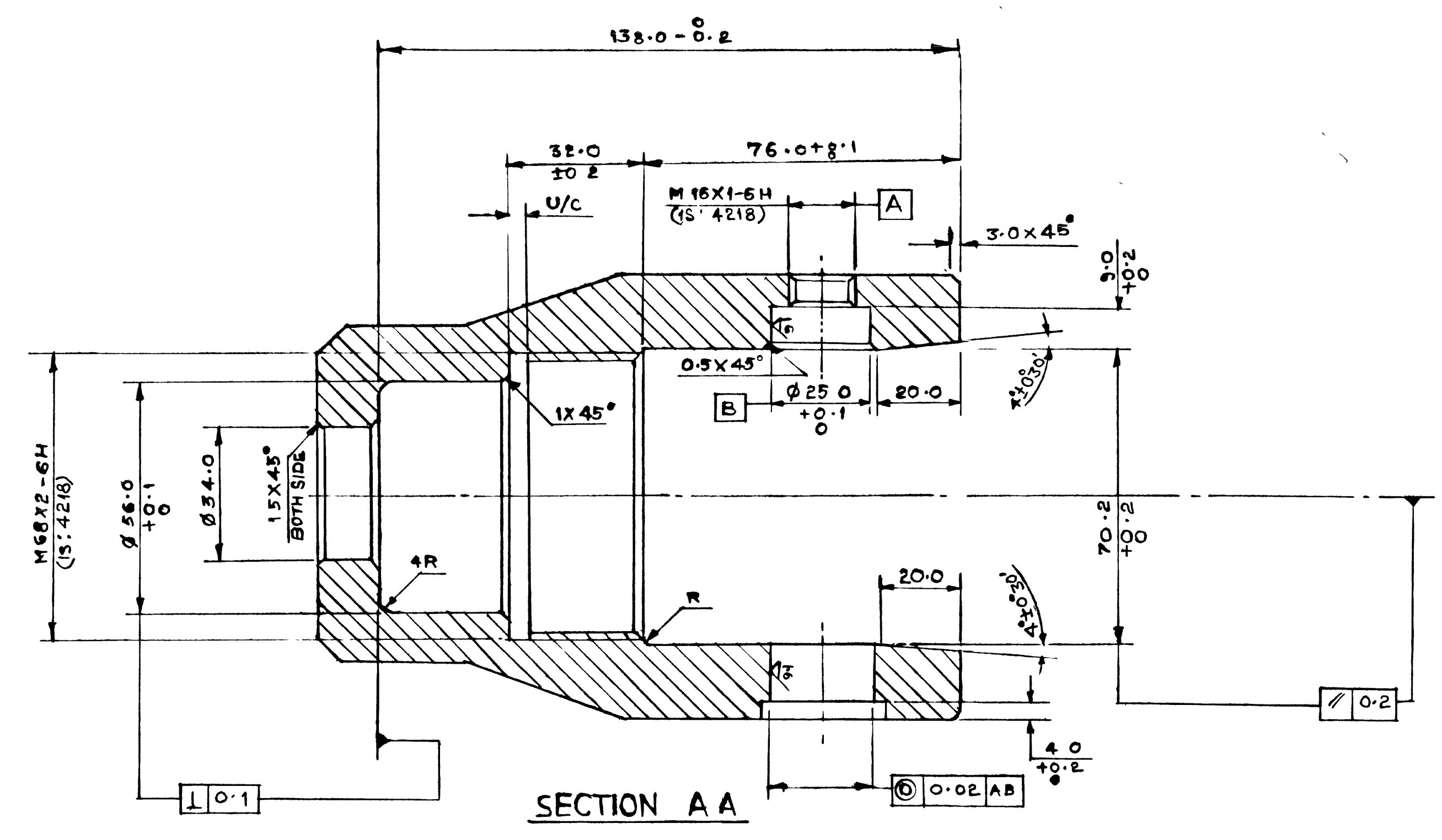
CLEVIS UNIT ASSY

DRC No  
ARDE 1947  
DET No 28  
PART No  
DS CAT No  
AHSP

DRG CONVENTIONS CONFORM TO IS. 696  
 DIMNS ARE IN mm  
 GEN TOL:- MEDIUM CLASS TO IS 2102

DRG NO  
 ARDE 1947  
 DET 29  
 SHTS

1. ALL SHARP EDGES AND BURRS ARE TO BE REMOVED
2. SCREW THREAD RUNOUTS AND UNDERCUTS TO BE IN ACCORDANCE WITH SPEC IS. 1369
3. TOL. FOR ANGLES GIVEN IN DEGREES  $\pm 0^{\circ}30'$
4. DIMNS. ARE TO BE READ AS APPLYING AFTER COATING
5. SURFACE FINISH  $\frac{3.2}{\sqrt{R}}$  ALL OVER UNLESS OTHERWISE SPECIFIED
6. HARDNESS 390  $\pm 20$  HV
7. AFTER CADMIUM PLATING THE PART SHOULD BE BAKED IMMEDIATELY AT 205°C FOR 8 TO 10 HOURS
8. SHARP EDGES & CORNERS ARE TO BE ROUNDED OF TO 0.5R



PROTECTIVE FINISH:-  
 CADMIUM PLATED TO SPEC IS:1972  
 WITH CLASSIFICATION No Cd 12

|    |         |                              |              |      |          |        |  |                        |
|----|---------|------------------------------|--------------|------|----------|--------|--|------------------------|
| 4  | 21-2-50 | DRG RETRACED                 |              |      | DRN      | CHD    | TRD NBY/COMP                                 | ASSY DRG. ARDE 1947/28 |
| 3  | 23-2-50 | MATL. AMENDED. VIDAL No. 698 |              |      | CD       | PASSED | SCALE 1:1                                    | DESIGN AUTHORITY       |
| 2  | 17-2-50 | AMENDED VIDAL No 592         | M-3          |      | APPROVED |        | EST WEIGHT                                   | ARDE PUNE 21           |
| 1  | 25-7-83 | TRACED WITHOUT CHANGE        |              |      |          |        | GAUGE SCHD                                   |                        |
| R  | DATE    | AUTHORITY                    | BRIEF RECORD | ZONE | CD       | GO     | FOR DIRECTOR                                 | DATE                   |
| NO |         |                              |              |      | SIGN     |        | MATL. - STEEL TO IS 511-1978 40 N. 6 CR. 40S |                        |
|    |         |                              |              |      |          |        | OR BS 970 PART 1 1983 B17 M 40               |                        |
|    |         |                              |              |      |          |        | PROTECTIVE FINISH:- AS ABOVE                 |                        |

CLEVIS

DRG NO  
 ARDE 1947  
 DET. 29 SHTS SHT  
 PART NO.  
 D S. CAT No  
 AHSP

TRACED  
 Bluen  
 CHECKED  
 [Signature]  
 CHD SECTION  
 [Signature]

8 7 6 5 4 3 2 1

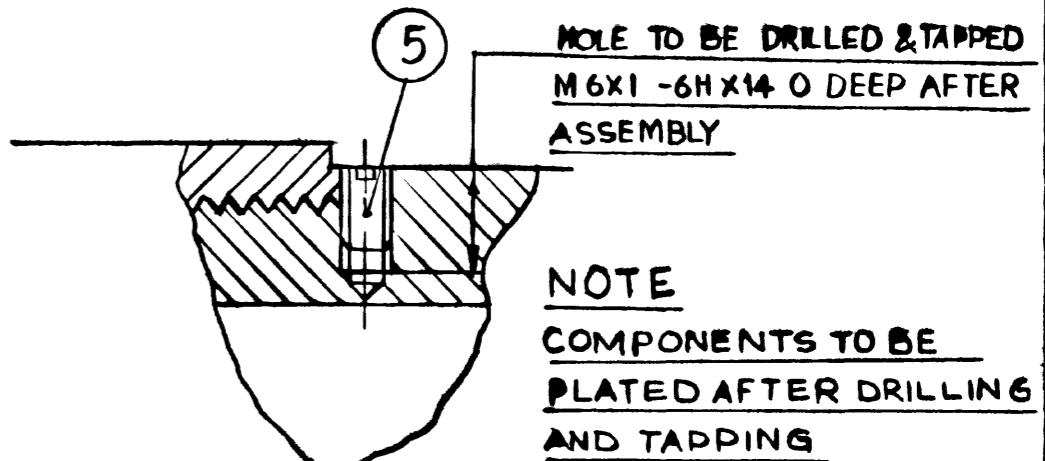
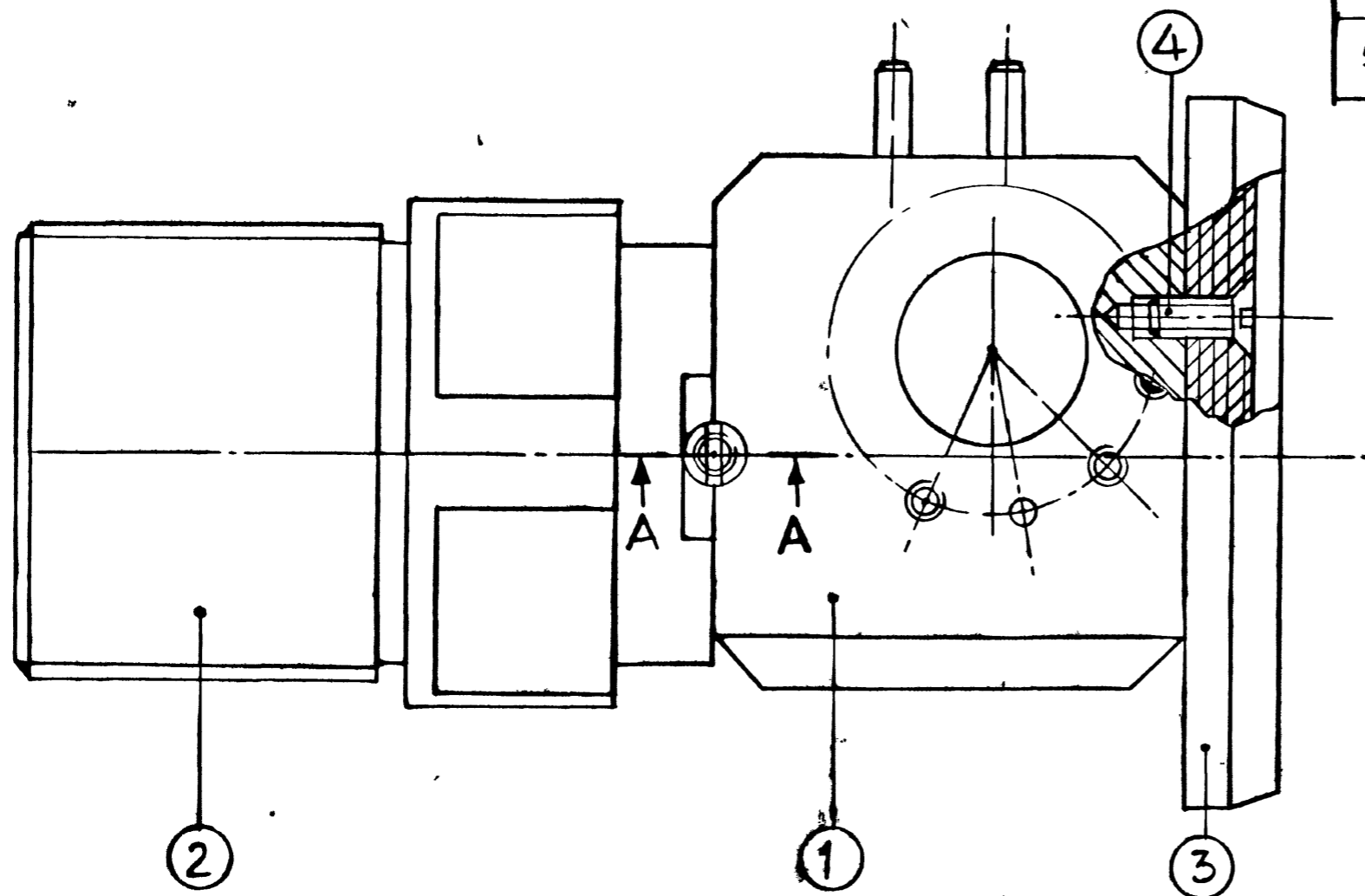
DRG CONVENTIONS CONFORM TO IS 696  
DIM ARE IN mm

GEN TOL - MEDIUM CLASS TO IS: 2012

DRG NO ARDE 1947  
DET NO 3  
SHTS

| LIST OF COMPONENTS |  |        |       |           |        |         |
|--------------------|--|--------|-------|-----------|--------|---------|
| ITEM No            | NOMENCLATURE                             | NO OFF | MATL  | DRG No    | DET NO | PART No |
| 1                  | PIN & BLOCK ASSY                         | 1      |       | ARDE 1947 | 4      |         |
| 2                  | ADAPTER FOR BOMB                         | 1      |       | ARDE 1947 | 8      |         |
| 3                  | COLLAR                                   | 1      |       | ARDE 1947 | 9      |         |
| 4                  | CSK HD M/C SCREW<br>M6X12 LONG IS 1365   | 2      | STEEL | -         | -      |         |
| 5                  | GRUB SCREW 'A' M6X12 L<br>TO IS 2388-4 B | 1      | STEEL | -         | -      |         |

ITEM No 4 & 5 ARE TO BE CADMIUM PLATED TO IS: 1572  
WITH CLASSIFICATION No Cd 12



PART SECTION A-A

|    |          |           |                       |      |       |                     |              |                |            |                      |
|----|----------|-----------|-----------------------|------|-------|---------------------|--------------|----------------|------------|----------------------|
| 2  | 3-8-2000 |           | TRACED WITHOUT CHANGE |      |       | DRN - DVK           | CHD - PRP    | TRD - VDV      | COMP - sd- | ASSY DRG ARDE 1947/2 |
| 1  | 6 5 83   |           | TRACED WITHOUT CHANGE |      |       | CD                  | PASSED       | SCALE - 1 1    |            | DESIGN AUTHORITY     |
| R  |          |           |                       |      |       | sd-                 |              | EST WEIGHT -   |            | ARDE PUNE - 21       |
| NO | DATE     | AUTHORITY | BRIEF RECORD          | ZONE | CD GO | APPROVED            | -sd- wgedr   | GAUGE SCHD -   |            |                      |
|    |          |           |                       |      | SIGN  | 04 Feb 84           | FOR DIRECTOR | DATE - 16 5 78 |            |                      |
|    |          |           |                       |      |       | MATL -              |              |                |            |                      |
|    |          |           |                       |      |       | PROTECTIVE FINISH - |              |                |            |                      |

**BLOCK HOUSING & ADAPTER ASSY**

DRG NO  
**ARDE 1947**

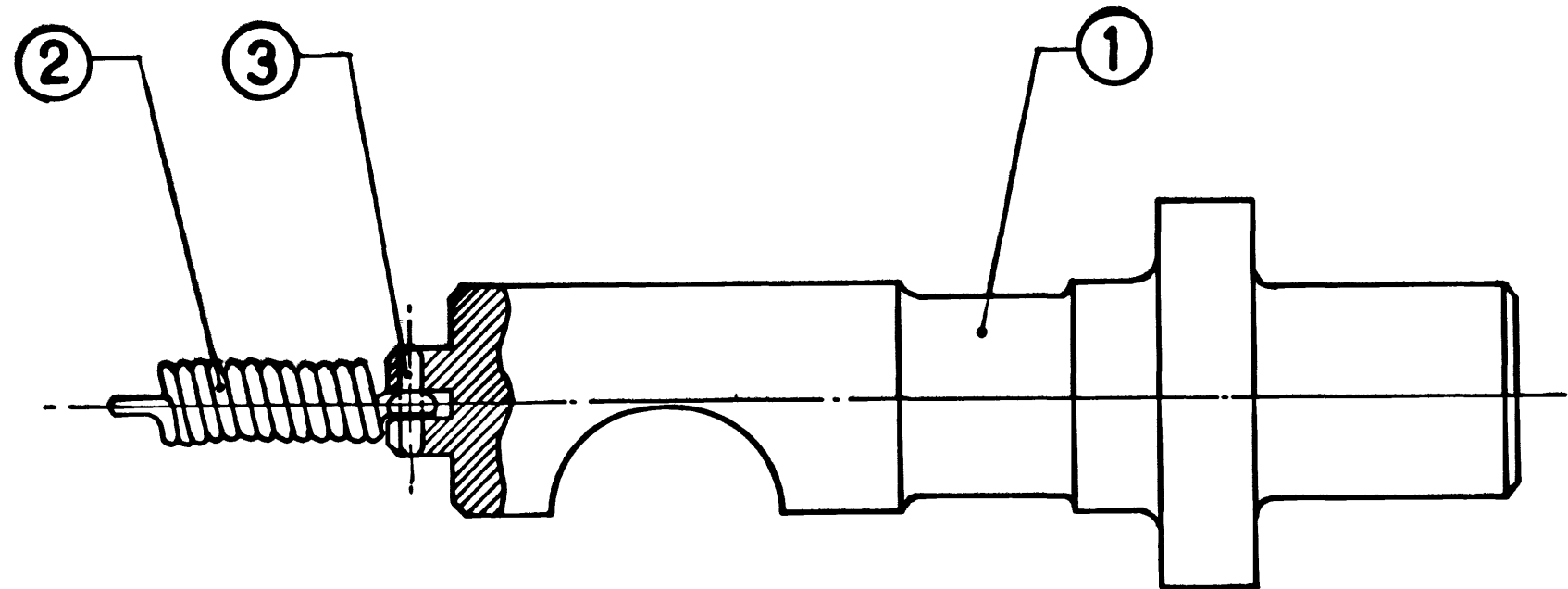
DET - 3 -SHTS SHT -


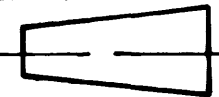
PART NO

DISCAT NO

AHSP -

|           |  |                 |  |                   |  |                    |                        |        |      |           |        |         |  |   |  |
|-----------|--|-----------------|--|-------------------|--|--------------------|------------------------|--------|------|-----------|--------|---------|--|---|--|
| 8         |  | 7               |  | 6                 |  | 5                  |                        | 4      |      | 3         |        | 2       |  | 1 |  |
| ON IHS    |  | DRG CONVENTIONS |  | CONFORM TO IS 696 |  | LIST OF COMPONENTS |                        |        |      |           |        |         |  |   |  |
| DET NO 30 |  | DIM             |  | ARE IN mm         |  |                    |                        |        |      |           |        |         |  |   |  |
| SHT NO    |  | GEN TOL.        |  |                   |  | ITEM NO            | NOMENCLATURE           | NO.OFF | MATL | DRG. NO   | DET NO | PART NO |  |   |  |
| ARDE 1947 |  |                 |  |                   |  | 1                  | PLUG SHAFT             | 1      |      | ARDE 1947 | 31     |         |  |   |  |
|           |  |                 |  |                   |  | 2                  | SPRING                 | 1      |      | ARDE 1947 | 32     |         |  |   |  |
|           |  |                 |  |                   |  | 3                  | PIN, SHEAR, PLUG SHAFT | 1      |      | ARDE 1947 | 33     |         |  |   |  |



|            |  |                         |  |        |  |                    |  |                   |  |              |  |         |  |   |  |
|------------|--|-------------------------|--|--------|--|--------------------|--|-------------------|--|--------------|--|---------|--|---|--|
|            |  |                         |  |        |  | DRN LVP            |  | CHD DVK           |  | TRD HD D     |  | COMP Sd |  | ASSY DRG ARDE 1947/20   |  |
|            |  |                         |  |        |  | CD Sd              |  | PASSED            |  | SCALE 1:1    |  |         |  | DESIGN AUTHORITY  |  |
|            |  |                         |  |        |  | APPROVED Sd Wg cdt |  | FOR DIRECTOR      |  | Gauge SCHD   |  |         |  | ARDE PUNE-21  |  |
| 2 7 2000   |  | RETRACED WITHOUT CHANGE |  |        |  | Sd Sd              |  |                   |  | DATE 26-5-78 |  |         |  |   |  |
| 1 16 3 83  |  | TRACED WITHOUT CHANGE   |  |        |  | SIGN               |  |                   |  |              |  |         |  | DRG NO  |  |
| DRG SEALED |  | sd                      |  | Wg cdt |  | CRE (AA)           |  | PROTECTIVE FINISH |  |              |  |         |  | ARDE 1947   |  |

# PLUG, SHAFT ASSY.

DET. 30 SHTS SHT. NO  
PART NO  
D S CAT NO.  
AHSP

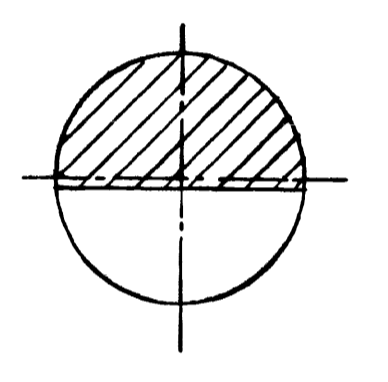
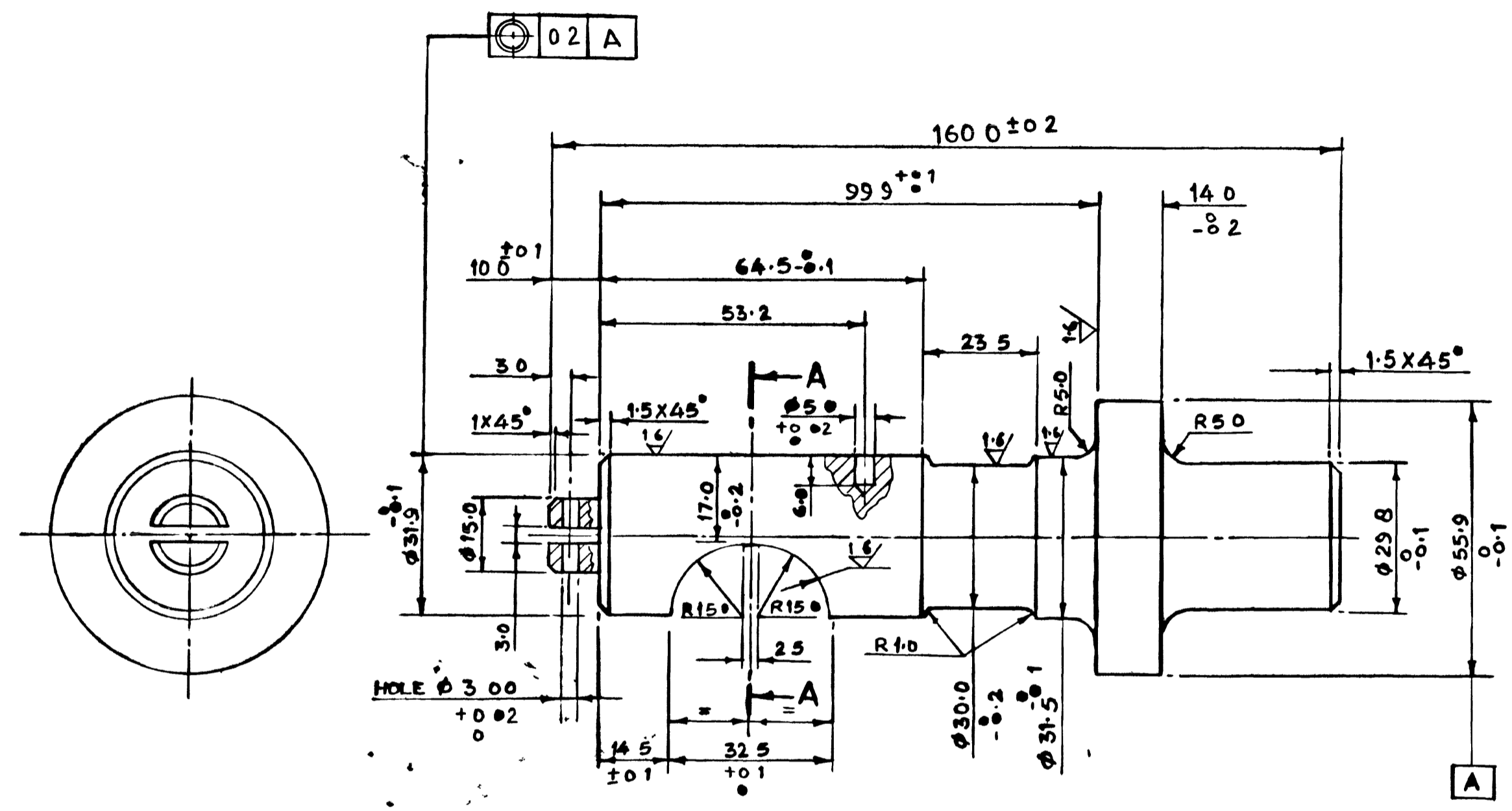
|            |         |                 |
|------------|---------|-----------------|
| RETRACED   | CHECKED | SECTION CHECKED |
| @ 7-8 2000 | 9-2-00  | 13/333          |

DRG CONVENTIONS CONFORM TO IS 696  
 DIM ARE IN MM  
 GEN TOL - MEDIUM CLASS TO IS: 2102

DRG. No.  
 ARDE 1947  
 DET. No. 31 SHTS  
 PART No.

**NOTES:-**

1. ALL SHARP EDGES & BURRS ARE TO BE REMOVED
2. DIM ARE TO BE READ AS APPLYING AFTER COATING
3. SURFACE FINISH  $\sqrt{2}$  ALL OVER UNLESS OTHERWISE SPECIFIED
4. TOL. FOR ANGLES GIVEN IN DEGREES  $\pm 0'30''$
5. HARDNEES -  $390 \pm 20$  HV
6. AFTER CADMIUM PLATING THE PART SHOULD BE BAKED IMMEDIATELY AT  $205^\circ\text{C}$  FOR 8 TO 10 HOURS



SECTION - AA

**MATERIAL :-** STEEL TO IS 5517-1978 40 Ni 6 Cr 4 Mo 3  
 OR BS: 970 PART 1-1983 B17 M 40

**PROTECTIVE FINISH:-**  
 CADMIUM PLATED TO IS: 1572 WITH  
 CLASSIFICATION No cd 12

|                                |           |           |                             |      |     |          |                              |              |         |                       |
|--------------------------------|-----------|-----------|-----------------------------|------|-----|----------|------------------------------|--------------|---------|-----------------------|
| 4                              | 16-2-2000 |           | RETRACED                    |      |     | DRN DVK  | CHD DVK                      | TRD DDT      | COM sd- | ASSY DRG ARDE 1947/30 |
| 3                              | 23-2-93   |           | MATL AMENDED VIDE AL No 698 |      | sd- | CD       | PASSED                       | SCALE - 1.1  |         | DESIGN AUTHORITY      |
| 2                              | 17-2-88   |           | AMENDED VIDE AL No 592      | F-3  | sd- | APPROVED | sd-                          | EST WEIGHT   |         | ARDE PUNE-21          |
| 1                              | 25-7-83   |           | TRACED WITHOUT CHANGE       | -    | sd- | sd-      | sd-                          | GAUGE SCHD   |         |                       |
| R No                           | DATE      | AUTHORITY | BRIEF RECORD                | ZONE | CD  | GO       | MATL:-                       | DATE 27-4-78 |         |                       |
| DRG SEALED sd- wq cdr CRE (AA) |           |           |                             |      |     |          | AS ABOVE                     |              |         |                       |
|                                |           |           |                             |      |     |          | PROTECTIVE FINISH - AS ABOVE |              |         |                       |

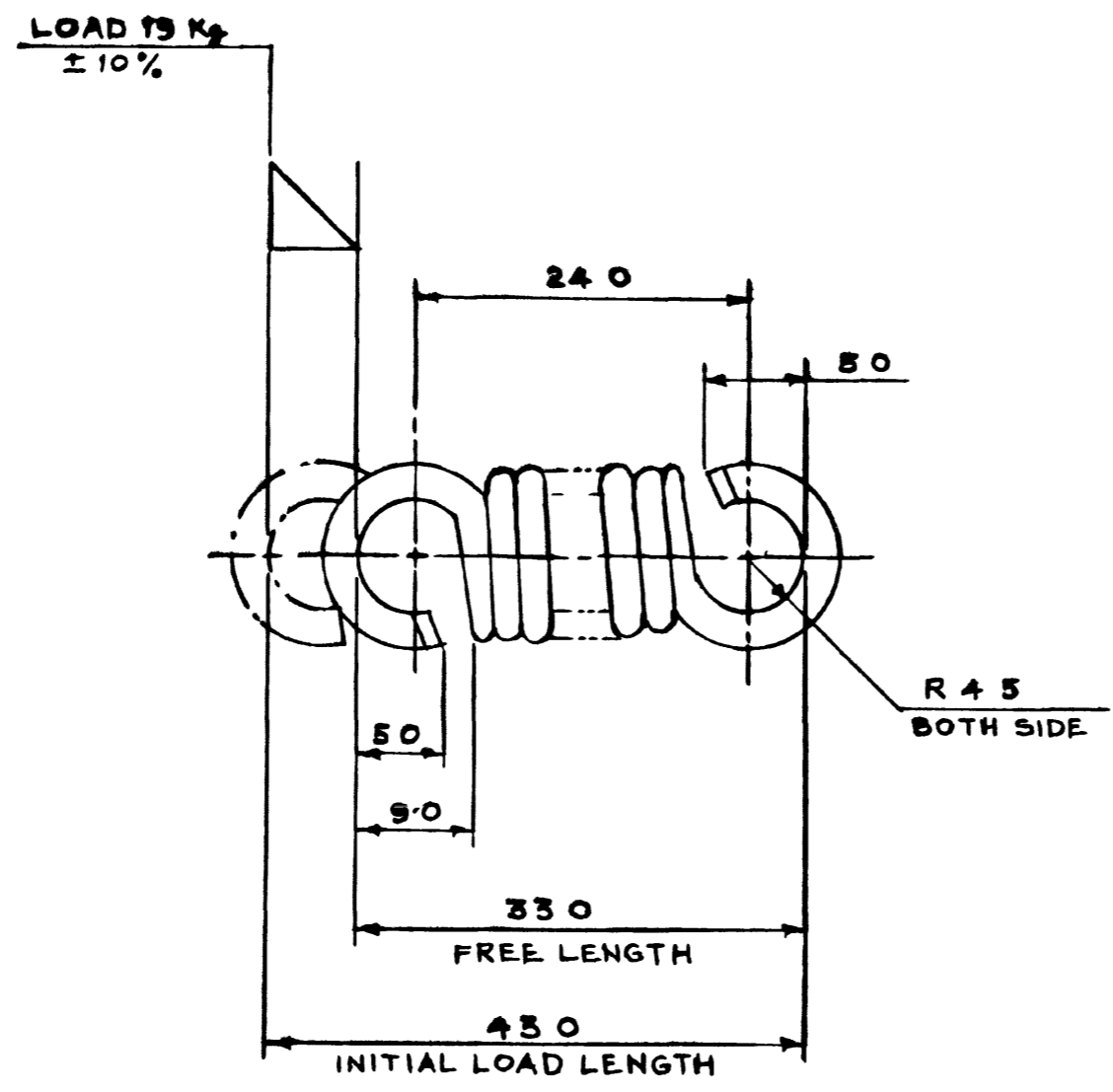
**PLUG SHAFT**

DRG No.  
 ARDE 1947  
 DET 31 SHTS | SHT  
 PART No.  
 DS CAT No  
 AHSP

DRG No  
ARDE 1947  
DET No 32  
PART No

DRG. CONVENTIONS CONFORM TO IS 696  
DIM ARE IN MM  
GEN TOL:-MEDIUM CLASS TO IS 2102

- NOTE:-**
- 1) ALL SHARP EDGES AND BURRS ARE TO BE REMOVED.
  - 2) AFTER CADMIUM PLATING THE PART SHOULD BE BAKED IMMEDIATELY AT 205°C FOR 8 TO 10 HOURS



WIRE DIA ----- 1.6  
NO OF COILS (CLOSED COIL) -- 8  
OUT SIDE DIA ----- 9.2  
WOUND - R H

**PROTECTIVE FINISH:-**  
CADMIUM PLATED TO SPEC. IS: 1572  
WITH CLASSIFICATION NO Cd 12

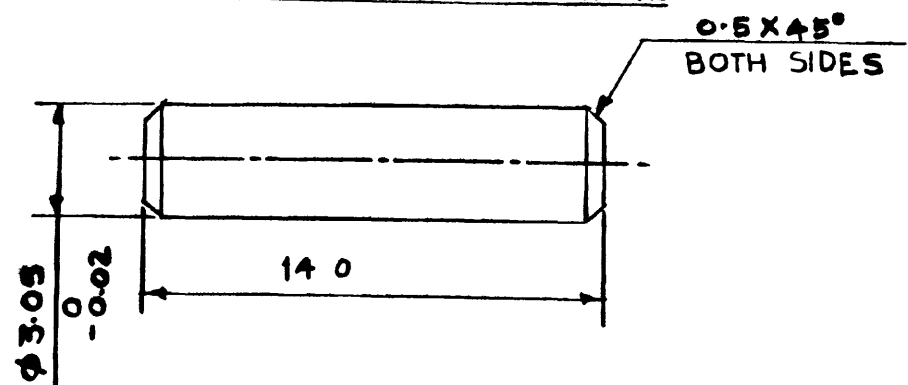
|      |         |           |                         |      |    |          |                               |              |          |                       |
|------|---------|-----------|-------------------------|------|----|----------|-------------------------------|--------------|----------|-----------------------|
|      |         |           |                         |      |    | DRN DVK  | CHD PRP                       | TRD SSN      | COMP Scl | ASSY DRG ARDE 1947/30 |
|      |         |           |                         |      |    | CD Scl   | PASSED                        | SCALE' 2 1   |          | DESIGN AUTHORITY      |
|      |         |           |                         |      |    |          |                               | EST WEIGHT   |          | ARDE PUNE-21          |
| 2    | 22/5/83 |           | RETRACED WITHOUT CHANGE |      |    | APPROVED | Scl Wg Cdr                    | GAUGE SCHED  |          |                       |
| 1    | 15/2/83 |           | TRACED WITHOUT CHANGE   |      |    |          | FOR DIRECTOR                  | DATE 12-5-78 |          |                       |
| R No | DATE    | AUTHORITY | BRIEF RECORD            | ZONE | CD | GO       | MATL:- STEEL TO SPEC IS. 4454 |              |          |                       |
|      |         |           |                         |      |    | SIGN     | PR 1 Gd 2                     |              |          | DRG NO                |
|      |         |           |                         |      |    |          |                               |              |          | ARDE 1947             |
|      |         |           |                         |      |    |          |                               |              |          | DET No 32             |
|      |         |           |                         |      |    |          |                               |              |          | PART No               |
|      |         |           |                         |      |    |          |                               |              |          | DS CAT NO             |
|      |         |           |                         |      |    |          |                               |              |          | AHSP                  |

**SPRING**

|                   |                                   |
|-------------------|-----------------------------------|
| PART NO.          | DRG CONVENTIONS CONFORM TO IS 696 |
| DET NO 33         | DIM. ARE IN MM                    |
| DRG NO. ARDE 1947 | GEN TOL: MEDIUM CLASS TO IS 2102  |

**NOTES:-**

- 1 ALL SHARP EDGES & BURRS ARE TO BE REMOVED
2. SURFACE FINISH  $\sqrt{32}$  ALL OVER
- 3 DIMNS ARE TO BE READ AS APPLYING AFTER COATING
- 4 TOL FOR ANGLES GIVEN IN DEGREES  $\pm 0^{\circ} 30'$
- 5 AFTER CADMIUM PLATING THE PART SHOULD BE BAKED IMMEDIATELY AT 205°C FOR 8 TO 10 HOURS

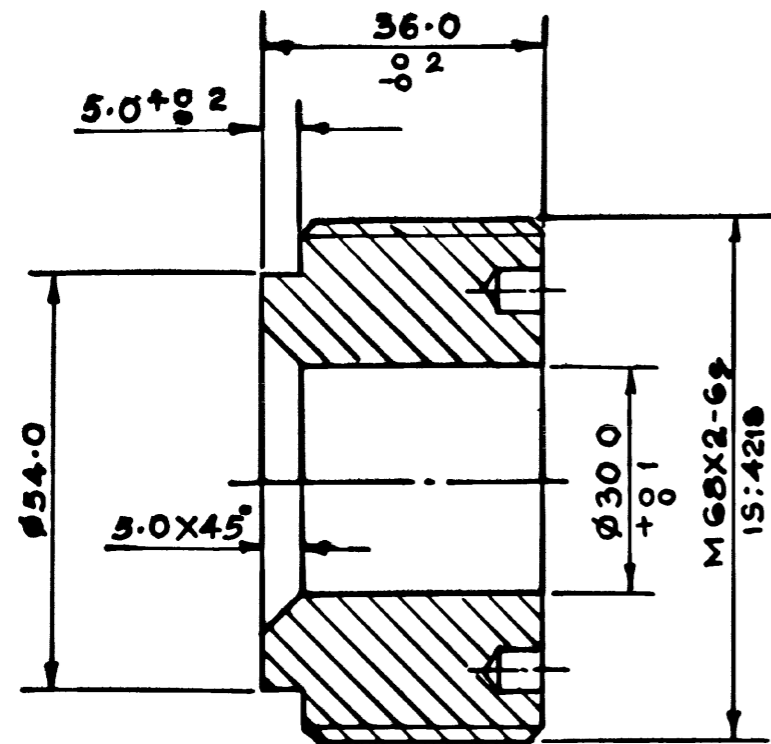


**PROTECTIVE FINISH -**

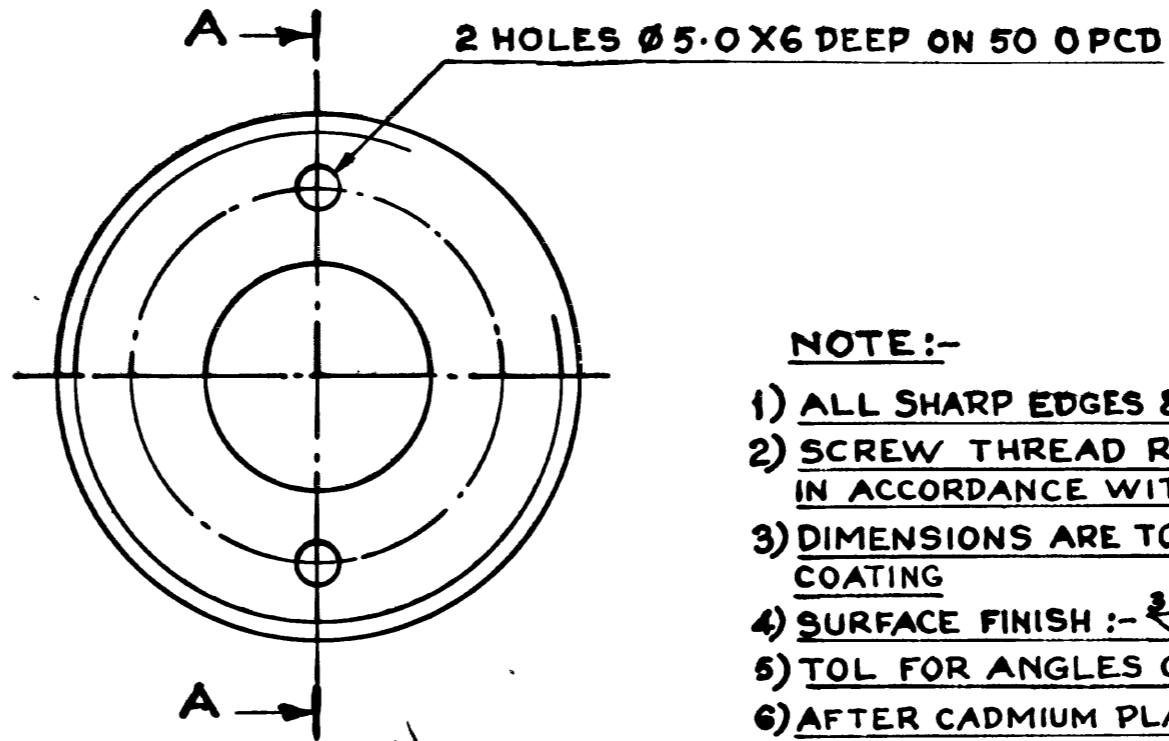
CADMIUM PLATED TO IS. 1572 WITH CLASSIFICATION NO cd 12

|      |        |                             |              |           |           |
|------|--------|-----------------------------|--------------|-----------|-----------|
| 3    | 252000 | RETRACED WITHOUT CHANGE     |              | <i>sd</i> | <i>sd</i> |
| 2    | 23293  | MATL AMENDED VIDE AL NO 698 |              |           | <i>sd</i> |
| 1    | 25283  | TRACED WITHOUT CHANGE       |              | <i>sd</i> | <i>sd</i> |
| R NO | DATE   | AUTHORITY                   | BRIEF RECORD | ZONE      | CD GO     |
|      |        |                             |              |           | SIGN      |

|   |         |                 |                |                       |  |
|---|---------|-----------------|----------------|-----------------------|--|
| DRG SEALED <i>sd</i>  |         | Wg Cdr CRE (AA) |                | ASSY DRG ARDE 1947/30 |  |
| DRN DVK   | CHD PRP | TRD AVS         | COMP <i>sd</i> | DESIGN AUTHORITY      |  |
| CD <i>sd</i>  | PASSED  | SCALE. - 5.1    |                | <b>ARDE PUNE 21</b>   |  |
| APPROVED <i>sd</i>  |         | GUAGE SCHED     |                |                       |  |
| Wg Cdr FOR DIRECTOR   |         | DATE 15-5-80    |                |                       |  |
| MATL - STEEL TO IS: 5517-1978 40C10 S 18<br>OR BS 970 PART-I 1983 080 M40 |         |                 |                |                       |  |
| PROTECTIVE FINISH AS ABOVE  |         |                 |                | DRG NO ARDE 1947      |  |
| <b>PIN, SHEAR, PLUG SHAFT</b>   |         |                 |                | DET NO 33             |  |
|   |         |                 |                | PART NO               |  |
|   |         |                 |                | DS CAT NO             |  |
|   |         |                 |                | AHSP                  |  |



**SECTION 'A-A'**



**NOTE:-**

- 1) ALL SHARP EDGES & BURRS ARE TO BE REMOVED.
- 2) SCREW THREAD RUNOUTS & UNDERCUTS TO BE IN ACCORDANCE WITH SPEC IS: 1369
- 3) DIMENSIONS ARE TO BE READ AS APPLYING AFTER COATING
- 4) SURFACE FINISH :-  $R_a 3.2$  ALL OVER
- 5) TOL FOR ANGLES GIVEN IN DEGREES  $\pm 0^{\circ}30'$
- 6) AFTER CADMIUM PLATING THE PART SHOULD BE BAKED IMMEDIATELY AT 205°C FOR 8 TO 10 HOURS

**PROTECTIVE FINISH -**

CADMIUM PLATED TO SPEC IS: 1572 WITH CLASSIFICATION No Cd 12

**MATERIAL :-**

STEEL TO IS: 5517-1978 40C 10S 18 OR BS. 970 PART-I: 1983 080 M40

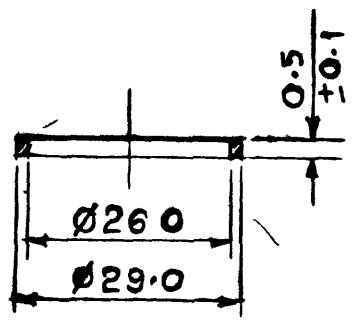
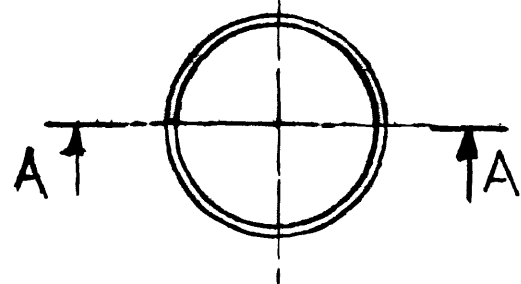
|                  |          |           |                                |      |      |      |      |   |           |                |             |                       |
|------------------|----------|-----------|--------------------------------|------|------|------|------|---|-----------|----------------|-------------|-----------------------|
| 3                | 3 8-2000 |           | DRG. RETRACED                  |      | as   | CD   | Sd/- | DRN - LVP                                       | CHD - DVK | TRD:-AGG       | COMP - Sd/- | ASSY DRG ARDE 1947/25 |
| 2                | 232-93   |           | MATL. AMENDED VIDE AL. No. 698 |      |      |      |      | PASSED  |           | SCALE:- 1:1    |             | ARDE PUNE-21          |
| 1                | 262-83   |           | TRACED WITHOUT CHANGE          |      | Sd/- | Sd/- |      | APPROVED  | Sd/-      | EST WEIGHT -   |             |                       |
| R. No.           | DATE     | AUTHORITY | BRIEF RECORD                   | ZONE | CD   | GO   |      | FOR DIRECTOR                                    |           | GAUGE SCHD -   |             |                       |
|                  |          |           |                                |      |      |      |      | MATL. - STEEL TO IS: 5517-1978 40S 18 OR BS 970 |           | DATE - 27-4-78 |             |                       |
| DRG. SEALED Sd/- |          |           | Wg. Cdr CRE(AA)                |      | SIGN |      |      | PROTECTIVE FINISH - AS ABOVE                    |           |                |             | DRG. No               |

**BUSH**

**ARDE 1947**  
 DET 34 SHTS SHT No.  
 PART No  
 D S CAT No.  
 AHSP

|                  |  |   |   |
|------------------|--|---|---|
| 4                | 3  | 2 | 1 |
| PART NO.         | DRG CONVENTIONS CONFORM TO IS . 696<br>DIMNS ARE IN mm |   |   |
| DET NO 35        | GEN. TOL. MEDIUM CLASS TO IS . 2102                    |   |   |
| DRG NO ARDE 1947 |  |   |   |

NOTE :- FLASHES AND EXCESS MATERIAL TO BE REMOVED



SECTION A.A

MATL:-

L D POLYTHENE TO SPEC JSS 1213A NATURAL COLOUR  
PREFERABLY ICI WNG 14 OR NYLON TO TENSILE  
STRENGTH 500 KG/CM<sup>2</sup> ELONGATION 200%

|      |         |           |                       |      |      |
|------|---------|-----------|-----------------------|------|------|
| 2    | 2-5-200 |           | RETRACED              |      |      |
| 1    | 26-2-83 |           | TRACED WITHOUT CHANGE |      |      |
| R NO | DATE    | AUTHORITY | BRIEF RECORD          | ZONE | SIGN |

|                        |              |                            |                |                       |  |
|------------------------|--------------|----------------------------|----------------|-----------------------|--|
| DRG SEALED <i>sd/-</i> |              | W <sub>8</sub> Cdr CRE(AA) |                | ASSY DRG ARDE 1947/28 |  |
| DRN LVP                | CHD PRP      | TRD AVS                    | COMP <i>sd</i> | DESIGN AUTHORITY      |  |
| PASSED                 | CD           | SCALE :- 1:1               |                | ARDE, PUNE-21         |  |
|                        |              | EST WEIGHT                 |                |                       |  |
| APPROVED               | <i>sd/-</i>  | GAUGE SCHD                 |                |                       |  |
|                        | FOR DIRECTOR | DATE 18.5-78               |                |                       |  |

|                      |                   |
|----------------------|-------------------|
| MATL :- AS ABOVE     | DRG NO. ARDE 1947 |
| PROTECTIVE FINISH :- | DET NO 35         |
|                      | PART NO           |
|                      | DS CAT NO         |
|                      | AHSP              |

WASHER, CLEVIS PIN

DRG. RETRACED *Blowers* CHD *Blowers* CHD SECTION *Amz 19/83*

DRG NO ARDE 1947

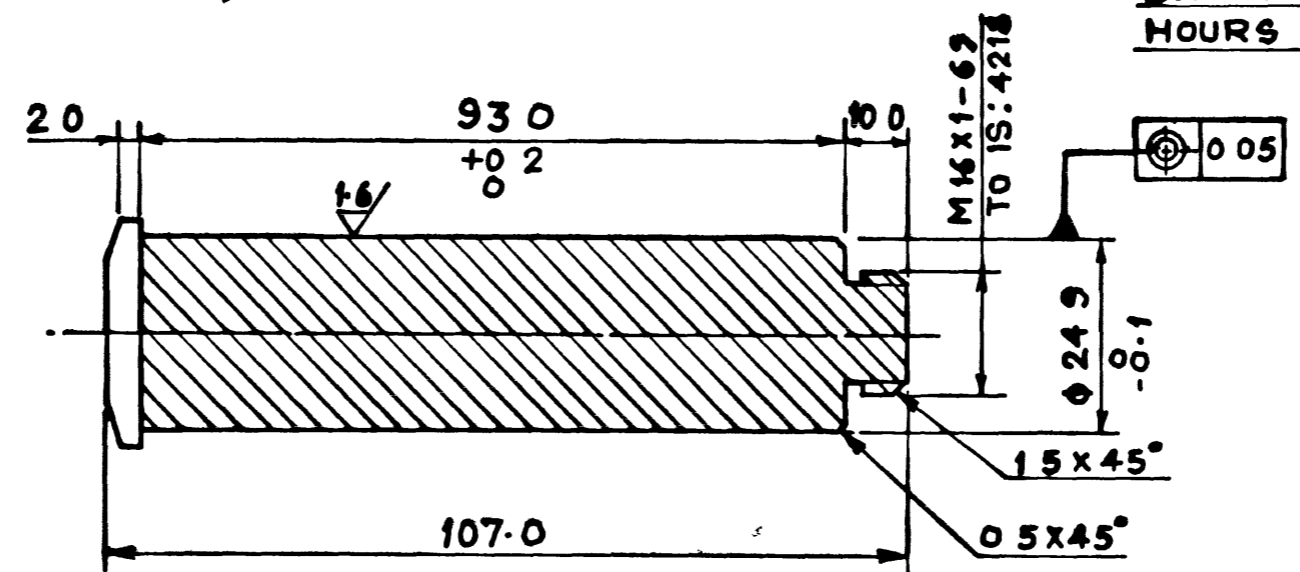
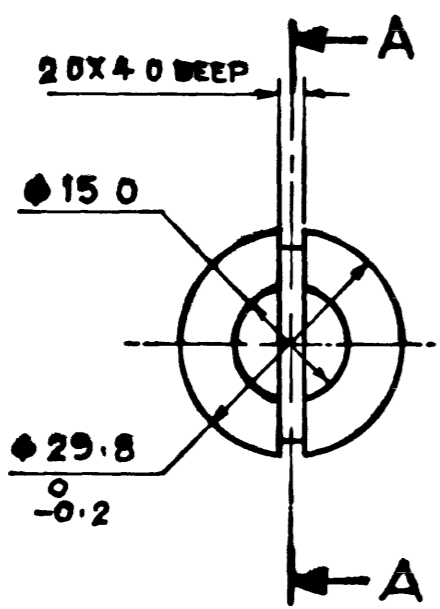
DET NO 36

PART NO

DRG CONVENTIONS CONFORM TO IS: 696  
DIM ARE IN mm  
GEN TOL MEDIUM CLASS TO IS: 2102

**NOTES:-**

- 1 ALL SHARP EDGES AND BURRS ARE TO BE REMOVED
- 2 SCREW THREAD RUNOUTS & UNDERCUTS TO BE IN ACCORDANCE WITH IS 1369
- 3 DIM ARE TO BE READ AS APPLYING AFTER COATING
- 4 SURFACE FINISH  $\sqrt{32}$  ALL OVER UNLESS OTHERWISE SPECIFIED
- 5 HARDNESS : 390+20 HV
- 6 AFTER CADMIUM PLATING THE PART SHOULD BE BAKED IMMEDIATELY AT 205° C FOR 8 TO 10 HOURS



**SECTION - A-A**

**MATERIAL :-** STEEL TO IS: 5517-1978 40 Ni 6 Cr 4 Mo 3  
OR BS 970 PART-1 1983 817 M40

**PROTECTIVE FINISH:-**

CADMIUM PLATED TO IS: 1572 WITH CLASSIFICATION  
No Cd 12

|                |           |           |                             |      |            |                              |                          |            |             |                       |
|----------------|-----------|-----------|-----------------------------|------|------------|------------------------------|--------------------------|------------|-------------|-----------------------|
| 4              | 23-5-2000 |           | RETRACED WITHOUT CHANGE     |      |            | DRN SJP                      | CHD DVK                  | TRD AVS    | COMP Sd     | ASSY DRG ARDE 1947/28 |
| 3              | 23-2-93   |           | MATL AMENDED VIDE AL NO 698 |      |            | CD Sd                        | PASSED                   | SCALE      | 1:1         | DESIGN AUTHORITY      |
| 2              | 17-2-88   |           | AMENDED VIDE AL NO 592      | E-3  |            | APPROVED                     | Sd Wg. off. FOR DIRECTOR | EST WEIGHT |             | ARDE PUNE 21          |
| 1              | 28-2-83   |           | TRACED WITHOUT CHANGE       | -    | Sd Sd      |                              |                          | GAUGE SCHD | DATE 2-5-78 |                       |
| R No           | DATE      | AUTHORITY | BRIEF RECORD                | ZONE | CD GO SIGN | MATL -                       | AS ABOVE                 |            |             |                       |
| DRG SEALED Sd. |           |           | Wg. off. CRE (AA)           |      |            | PROTECTIVE FINISH . AS ABOVE |                          |            |             |                       |

**CLEVIS PIN**

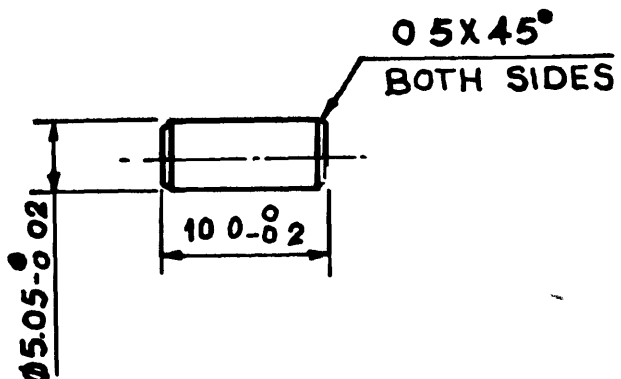
DRG NO ARDE 1947  
DET NO 36  
PART NO  
DS CAT NO  
AHSP

|             |             |              |
|-------------|-------------|--------------|
| RETRACED    | CHECKED     | SEC. CHECKED |
| (Signature) | (Signature) | (Signature)  |

|                  |  |   |   |
|------------------|--|---|---|
| 4                | 3  | 2 | 1 |
| PART NO.         | DRG CONVENTIONS CONFORM TO IS - 696<br>DIMNS ARE IN mm |   |   |
| DET NO 37        | GEN TOL MEDIUM CLASS TO IS: 2102                       |   |   |
| DRG NO ARDE 1947 |  |   |   |

NOTES -

- 1 ALL SHARP EDGES & BURRS ARE TO BE REMOVED
- 2 SURFACE FINISH 32 ALL OVER
- 3 DIM ARE TO BE READ AS APPLYING AFTER COATING
- 4 TOL FOR ANGLES GIVEN IN DEGREES ± 0°30'
5. AFTER CADMIUM PLATING THE PART SHOULD BE BAKED IMMEDIATELY AT 205°C FOR 8 TO 10 HOURS



PROTECTIVE FINISH

CADMIUM PLATED IS. 1572 WITH CLASSIFICATION NO Cd 12.

|      |           |           |                             |      |    |         |
|------|-----------|-----------|-----------------------------|------|----|---------|
| 3    | 25-4-2000 |           | RETRACED WITHOUT CHANGE     |      | sd | sd      |
| 2    | 23-2-93   |           | MATL AMENDED VIDE AL NO 698 |      |    | sd      |
| 1    | 25-2-83   |           | TRACED WITHOUT CHANGE       |      | sd | sd      |
| R NO | DATE      | AUTHORITY | BRIEF RECORD                | ZONE | CD | GO SIGN |

|  |         |         |                 |                       |
|--|---------|---------|-----------------|-----------------------|
| DRG SEALED   |         | sd      | Wg cdr CRE (AA) |                       |
| DRN DVK  | CHD PRP | TRD AVS | COMP            | sd                    |
| CD   | PASSED  | SCALE   | 2.1             | ASSY DRG ARDE 1947/28 |
| APPROVED   |         | DATE    |                 | DESIGN AUTHORITY      |
| Wg cdr FOR DIRECTOR  |         | 24-4-78 |                 | ARDE PUNE 21          |
| MATL: STEEL TO IS 5517-1978 40C10S18 OR BS. 970 PART-I 1983 080M40 |         |         |                 |                       |

|                                 |  |           |           |
|---------------------------------|--|-----------|-----------|
| PROTECTIVE FINISH AS ABOVE      |  | DRGNO     | ARDE 1947 |
| <u>PIN, LOCATING PLUG SHAFT</u> |  | DET NO    | 37        |
|                                 |  | PART NO   |           |
|                                 |  | DS CAT NO |           |
|                                 |  | AHSP      |           |

|                     |                     |             |
|---------------------|---------------------|-------------|
| TRACED              | CHECKED             | CHD SECTION |
| <i>sd</i> 25-4-2000 | <i>sd</i> 11/2/2000 | <i>sd</i>   |

19/03

8 7 6 5 4 3 2 1

DRG NO  
ARDE 1947  
DET 38  
PART NO.

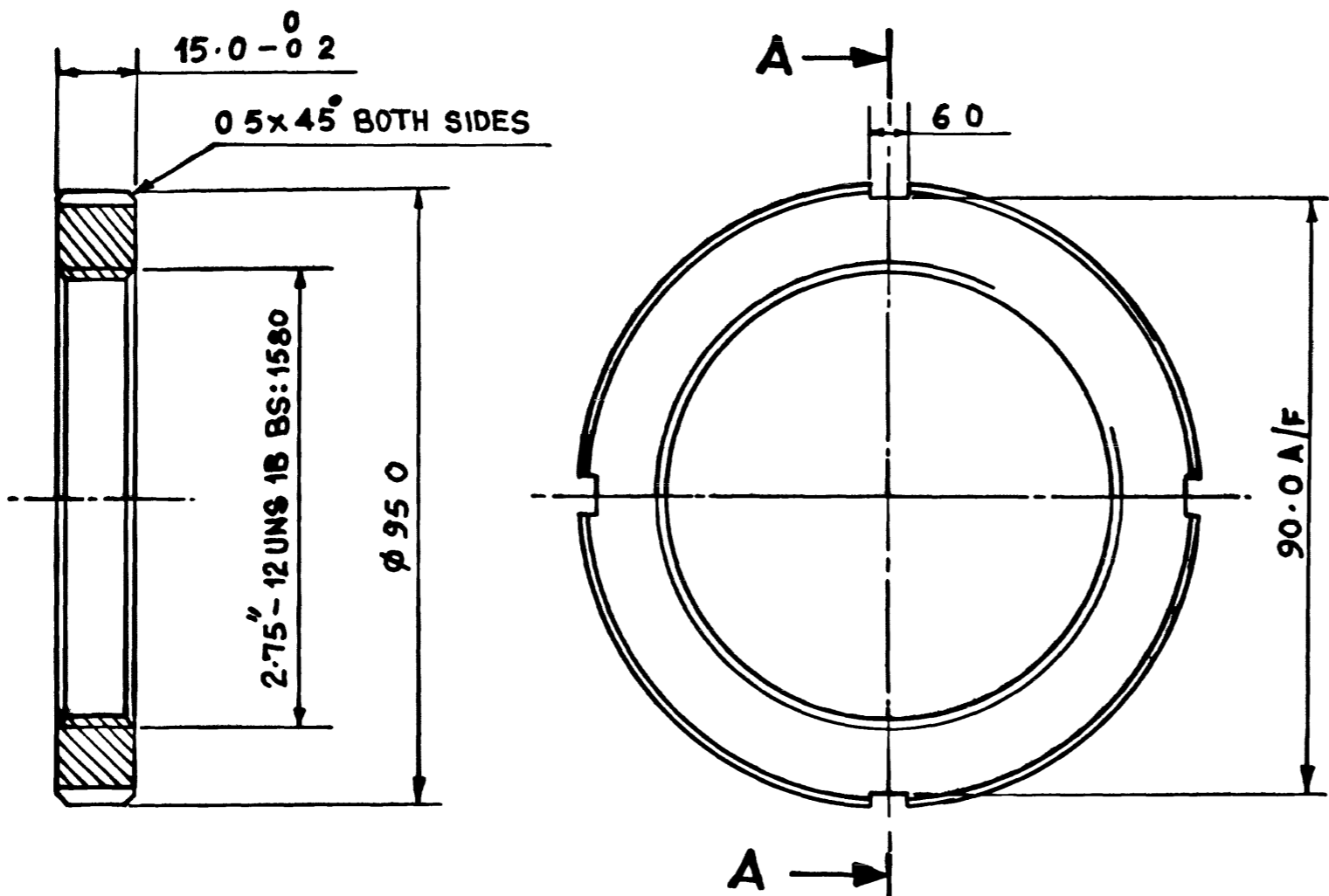
DRG CONVENTIONS CONFORM TO IS:696  
DIM ARE IN mm UNLESS OTHERWISE STATED.  
GEN TOL.-MEDIUM CLASS TO IS:2102

**NOTE:-**

- 1) ALL SHARP EDGES AND BURRS ARE TO BE REMOVED
- 2) SCREW THREAD RUNOUTS AND UNDERCUTS TO BE IN ACCORDANCE WITH SPEC IS:1369
- 3) DIMN ARE TO BE READ AS APPLYING AFTER COATING
- 4) SURFACE FINISH :-  $\nabla 3.2$  ALL OVER
- 5) TOL FOR ANGLES GIVEN IN DEGREES  $\pm 0^{\circ}30'$
- 6) AFTER CADMIUM PLATING THE PART SHOULD BE BAKED IMMEDIATELY AT 205°C FOR 8 TO 10 HOURS

**PROTECTIVE FINISH:-**

CADMIUM PLATED TO SPEC IS:1572 WITH CLASSIFICATION NO. Cd 12.



SECTION - A-A

|      |           |           |                              |      |           |              |  |                |                |                      |
|------|-----------|-----------|------------------------------|------|-----------|--------------|--|----------------|----------------|----------------------|
|      |           |           |                              |      |           | DRN - LVP    | CHD - DVK  | TRD AGG        | COMP <i>sd</i> | ASSY DRG ARDE 1947/1 |
|      |           |           |                              |      |           | CD <i>sd</i> | PASSED   | SCALE - 1:1    |                | DESIGN AUTHORITY     |
| 3    | 10-5-2000 |           | RETRACED WITHOUT CHANGE      |      | <i>sd</i> |              |  | EST WEIGHT -   |                | ARDE PUNE-21         |
| 2    | 23-2-93   |           | MATL AMENDED VIDE AL. NO 698 |      | <i>sd</i> | APPROVED     | <i>sd</i> <i>wg cdr</i><br>FOR DIRECTOR                                | GAUGE SCHED -  |                |                      |
| 1    | 8-3-83    |           | TRACED WITHOUT CHANGE        |      | <i>sd</i> |              |  | DATE - 28-4-78 |                |                      |
| R No | DATE      | AUTHORITY | BRIEF RECORD                 | ZONE | CD        | GO           | MATL - STEEL TO IS.5517-1978 40 C10 S18 OR BS 970:PART-I 1983 080 M 40 |                |                |                      |
|      |           |           |                              |      | SIGN      |              | PROTECTIVE FINISH :- AS ABOVE  |                |                |                      |

LOCK NUT

DRG No  
**ARDE 1947**  
DET 38  
PART No  
D S CAT No  
AHSP

|                        |                       |                   |
|------------------------|-----------------------|-------------------|
| RETRACED               | CHECKED               | SEC CHECKED       |
| <i>sd</i><br>10-5-2000 | <i>sd</i><br>13.6.214 | <i>sd</i><br>23/3 |

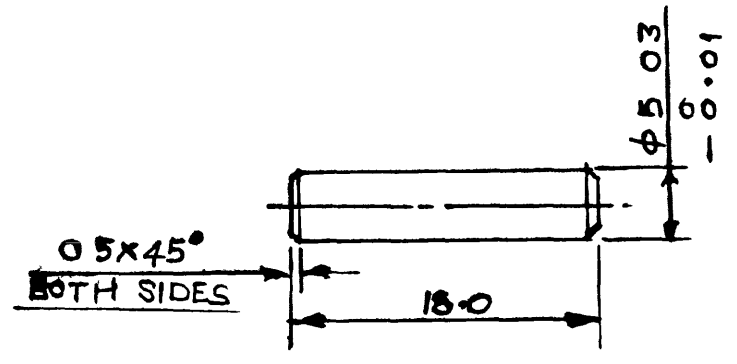


4 3 2 1

ON LTRD PART NO 5  
**ARDE 1947**  
 DET NO 5  
 DRG NO 500

DRG CONVENTIONS CONFORM TO IS 696  
 DIM ARE IN MM.  
 GEN.TOL - MEDIUM CLASS TO IS 2102

- NOTES -**
1. ALL SHARP EDGES & BURRS ARE TO BE REMOVED
  2. SURFACE FINISH 3.2 ALL OVER
  3. DIMNS ARE TO BE TREATED AS APPLYING AFTER COATING
  4. TOL FOR ANGLES GIVEN IN DEGREES  $\pm 0^{\circ}30'$
  5. AFTER CADMIUM PLATING THE PART SHOULD BE BAKED IMMEDIATELY AT 205°C FOR 8 TO 10 HOURS



**HARDNESS:- HV 300 + 50**

**PROTECTIVE FINISH:- CADMIUM PLATED TO IS: 1572 WITH CLASSIFICATION - No Cd 12**

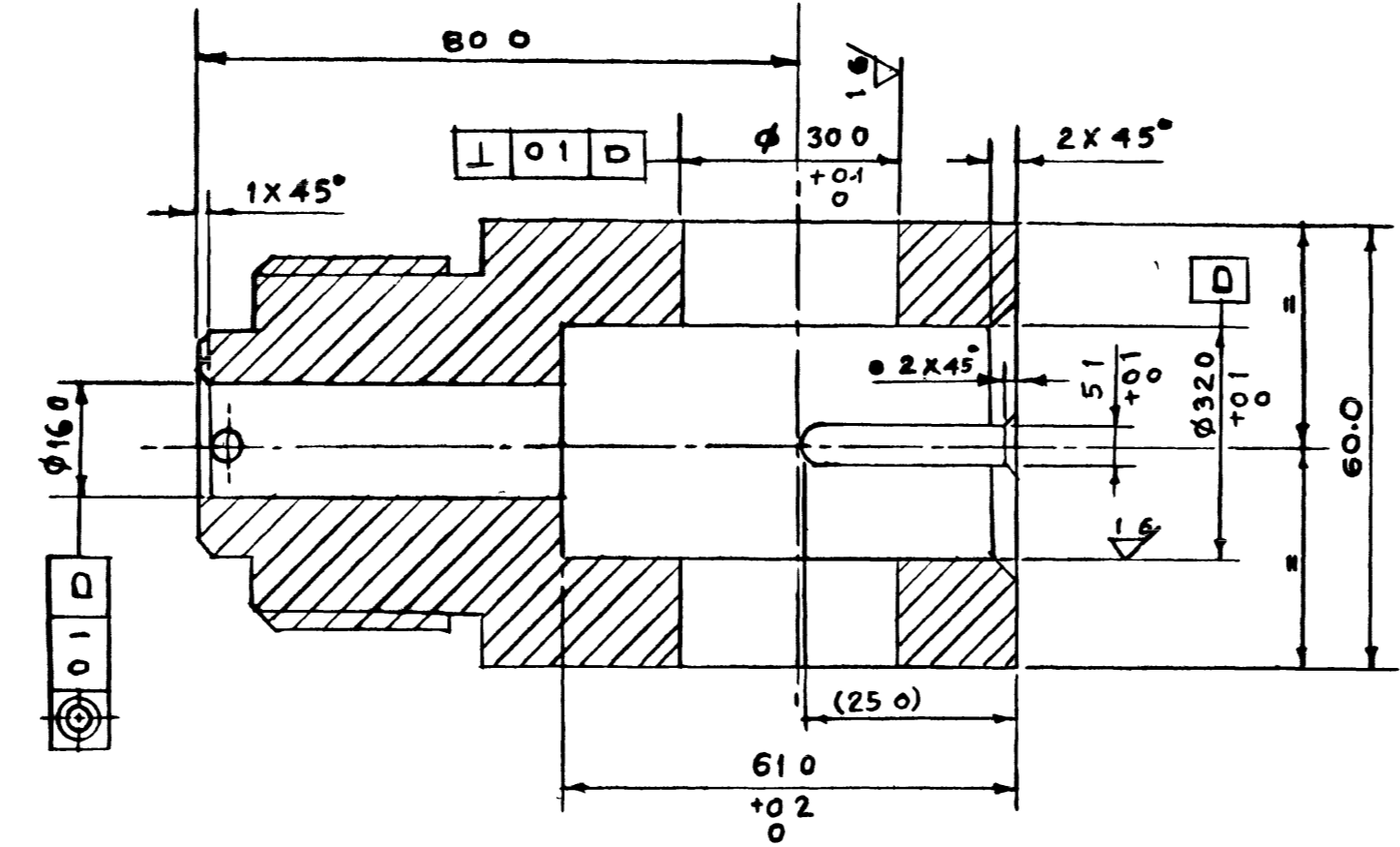
| R No | DATE     | AUTHORITY | BRIEF RECORD                | ZONE | CD   | GO   | SIGN. |
|------|----------|-----------|-----------------------------|------|------|------|-------|
| 4    | 3.5.2020 |           | DRG RETRACED                |      |      |      | as    |
| 3    | 23.2.93  |           | MATL AMENDED VIDE AL.No 698 |      |      |      |       |
| 2    | 14-9-89  | AL 643 PT | HARDNESS ADDED              | A    |      |      |       |
| 1    | 26.2.83  |           | TRACED WITHOUT CHANGE       |      | sd/- | sd/- |       |

|  |           |             |                |                          |  |
|--|-----------|-------------|----------------|--------------------------|--|
| DRG SEALED                                     |           | sd/-        |                | Wg. cdy CRE (AA)         |  |
| DRN - DYK                                      | CHD - PRP | TRD - VDV   | COMP sd        | ASSY DRG ARDE 1947/4, 18 |  |
| CD   | PASSED    | SCALE - 2,1 | EST WEIGHT     | DESIGN AUTHORITY         |  |
| APPROVED                                       | sd/-      | GAUGE SCD - | DATE - 15.5.78 | <b>ARDE PUNE - 21.</b>   |  |
| MATERIAL - STEEL TO IS 5517-1978 40N16CT 4 M03 |           |             |                |                          |  |
| OR BS. 970 PART-I: 1983 87M40                  |           |             |                |                          |  |
| PROTECTIVE FINISH:- AS ABOVE                   |           |             |                | DRG No. <b>ARDE 1947</b> |  |

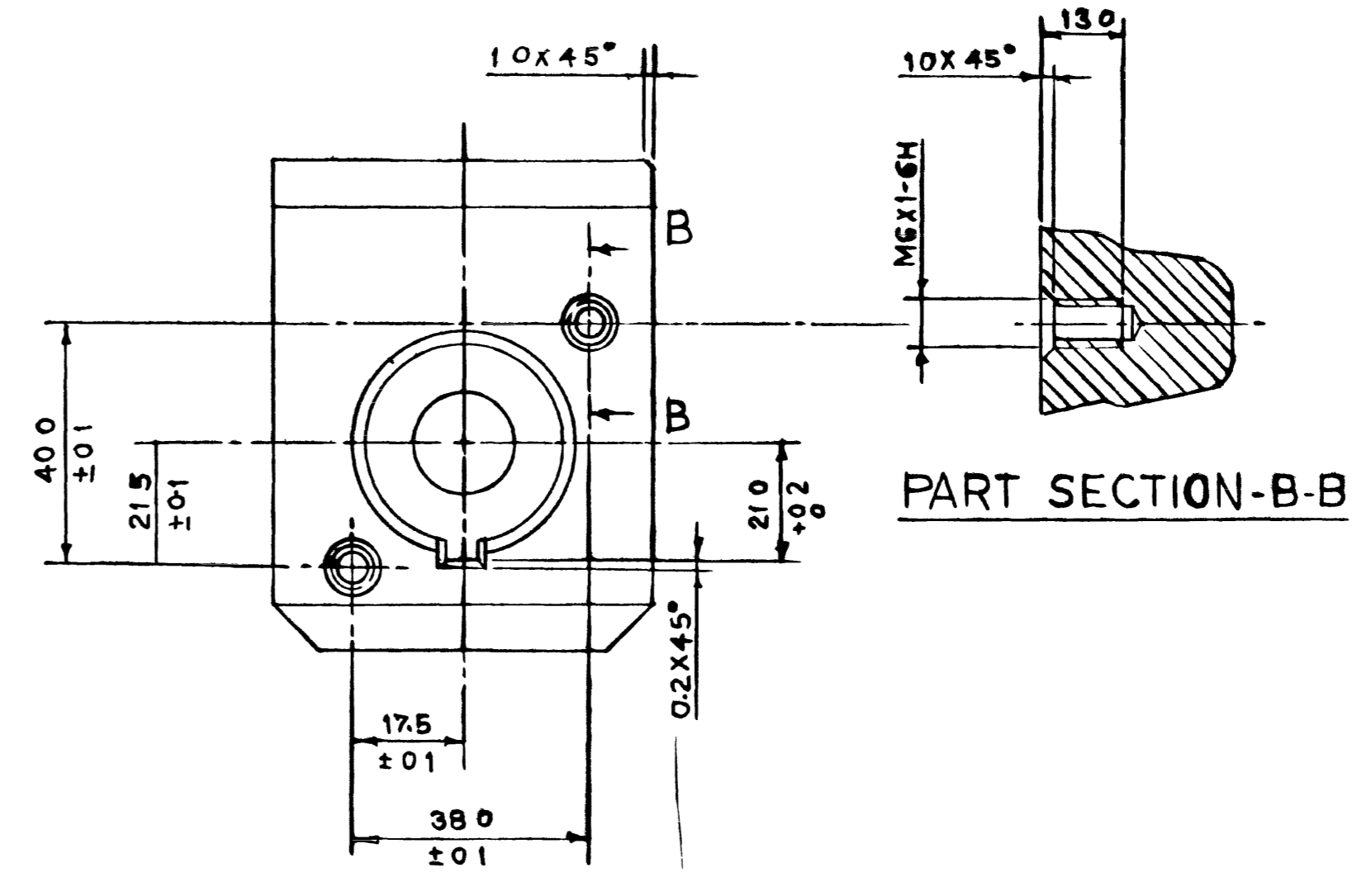
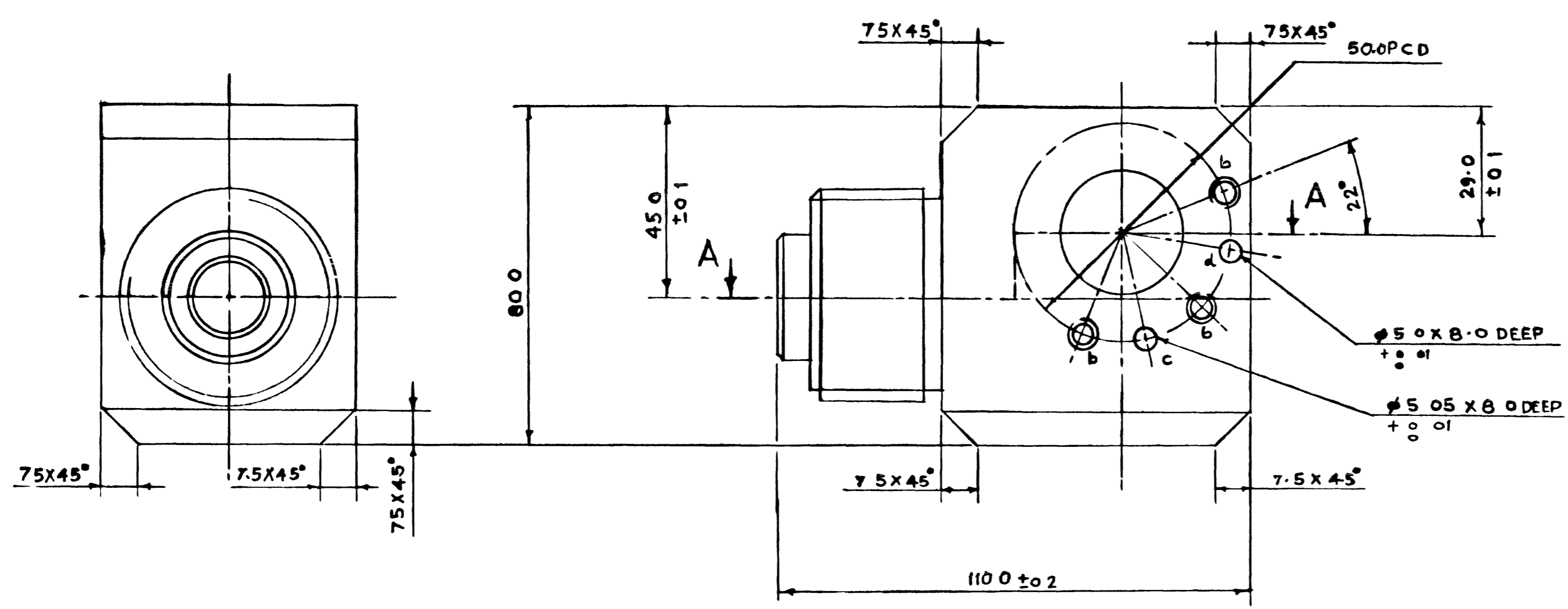
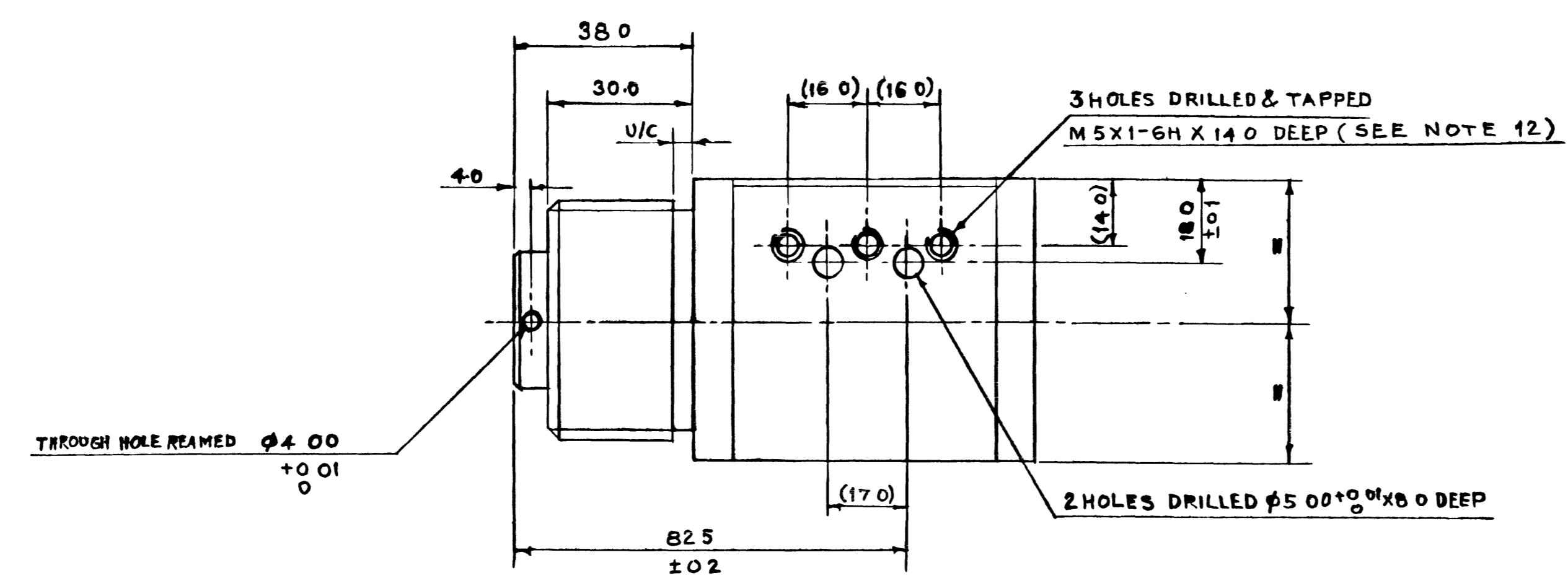
**PIN, HOUSING BLOCK**

DET. NO. 5  
 PART No.  
 D SCAT No  
 AHSP

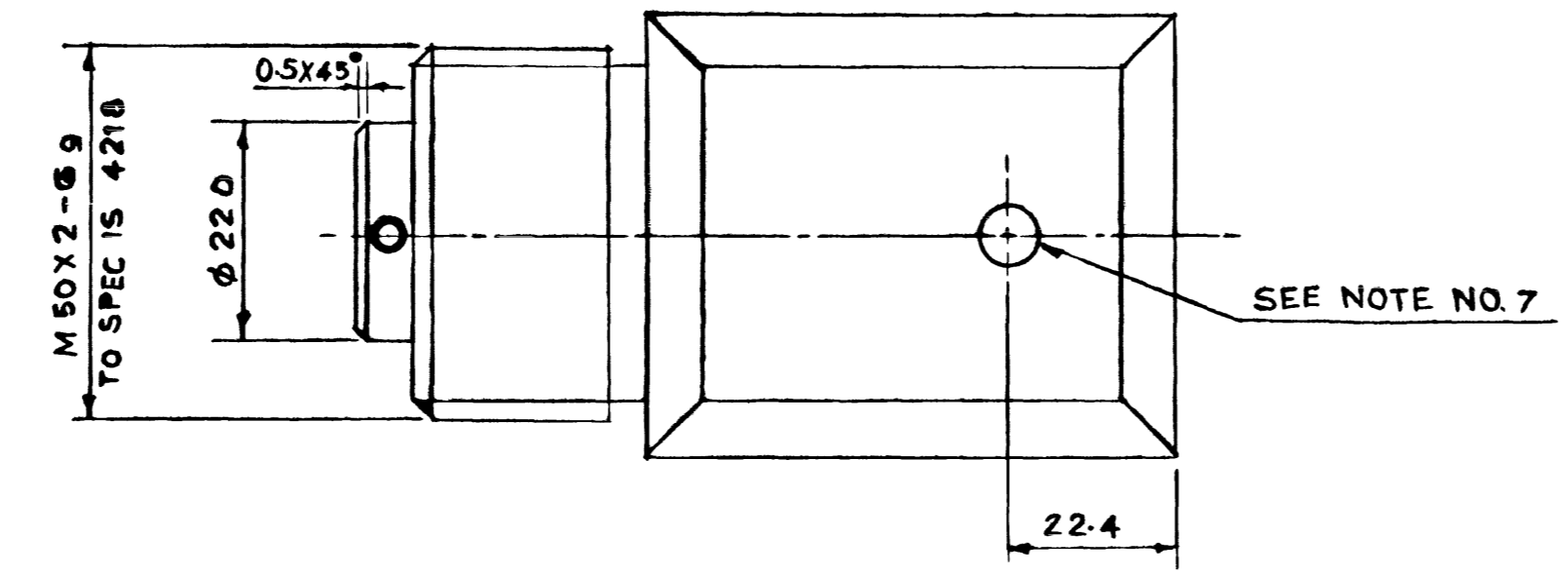
DRG. No. ARDE 1947  
 DET. No. 6  
 DRG. CONVENTIONS CONFORM TO IS 696  
 DIM. ARE IN MM  
 GEN. TOL. MEDIUM CLASS TO IS 2102



SECTION-A-A



PART SECTION-B-B



PROTECTIVE FINISH:-

CADMIUM PLATED TO SPEC IS 1572 WITH CLASSIFICATION No Cd 12

|   |         |           |                              |      |      |            |  |                            |         |      |                      |
|---|---------|-----------|------------------------------|------|------|------------|--|----------------------------|---------|------|----------------------|
| 4 | 15-2-20 |           | RETRACED WITHOUT CHANGE      |      |      | DRN DVK    | CHD PRP                                    | TRD AVS                    | COMP    | ASST | ASSY DRG ARDE 1947/4 |
| 3 | 23-2-23 |           | MATL AMENDED VIDE AL No. 698 |      |      | CD         | PASSED                                     | SCALE :- 1:1               |         |      | DESIGN AUTHORITY     |
| 2 | 17-2-21 |           | AMENDED VIDE AL No. 592      | G-3  | sd/- |            |  | EST WEIGHT                 |         |      | ARDE PUNE 21         |
| 1 | 24-2-83 |           | TRACED WITHOUT CHANGE        |      | sd/- | APPROVED   | sd/-                                       | GAUGE SCHD                 |         |      |                      |
| R | DATE    | AUTHORITY | BRIEF RECORD                 | ZONE | CD   | Wg. Sd/-   | FOR DIRECTOR                               | DATE                       | 13-5-78 |      |                      |
|   |         |           |                              |      | GO   |            | MATL STEEL TO SPEC IS 5517-1978 40 NI      |                            |         |      |                      |
|   |         |           |                              |      |      |            | 6 CR 4 MO 3 OR B5 870. PART 1:1973 817M 40 |                            |         |      |                      |
|   |         |           |                              |      |      | DRG SEALED | Wg. Sd/- CRE (AA)                          | PROTECTIVE FINISH AS ABOVE |         |      | DRG NO ARDE 1947     |

BLOCK HOUSING

DET. No. 6  
 PART NO  
 D.S. CAT NO  
 AHSP

4                      3                      2                      1

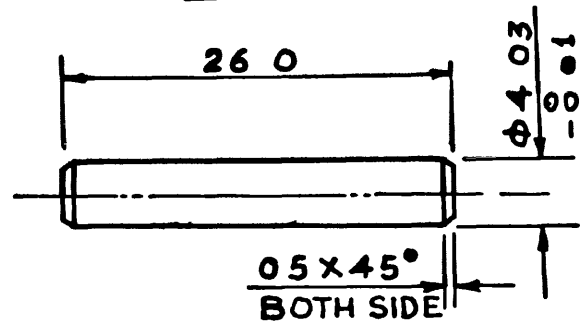
ON PART  
DET NO 7  
**ARDE 1947**  
DRG NO.

DRG CONVENTIONS CONFORM TO IS 696  
DIMNS ARE IN MM

GENTOL. MEDIUM CLASS TO IS : 2102

**NOTES**

- 1) ALL SHARP EDGES AND BURRS ARE TO BE REMOVED
2. SURFACE FINISH 32/ALL OVER
- 3 DIMENSIONS ARE TO BE READ AS APPLYING AFTER COATING
- 4 TOL FOR ANGLES GIVEN IN DEGREES ± 0° 30'
- 5 AFTER CADMIUM PLATING THE PART SHOULD BE BAKED IMMEDIATELY AT 205°C FOR 8 TO 10 HOURS



**PROTECTIVE FINISH**  
CADMIUM PLATED TO IS 1572 WITH CLASSIFICATION NO Cd 12

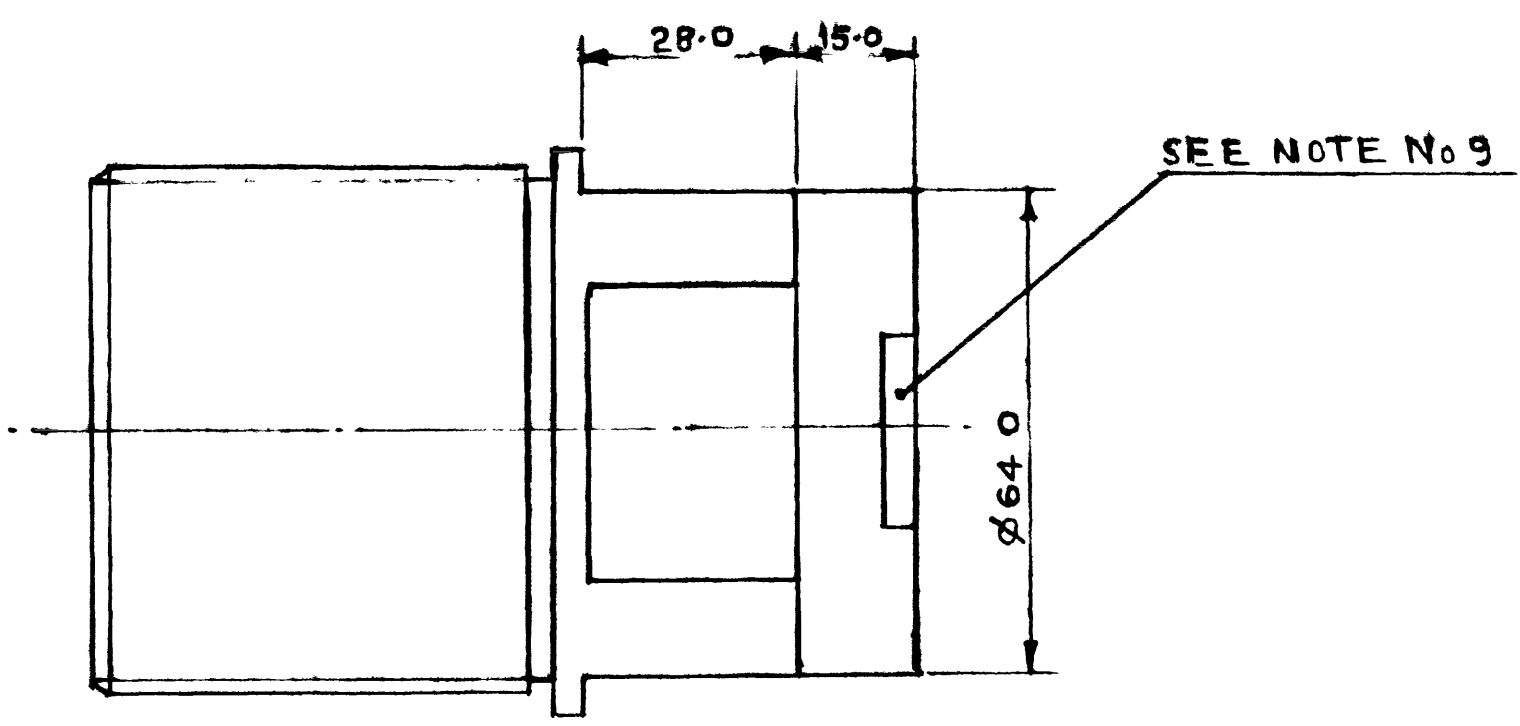
|      |         |           |                             |      |           |           |
|------|---------|-----------|-----------------------------|------|-----------|-----------|
| 3    | 25 2000 |           | RETRACED WITHOUT CHANGE     |      | <i>AS</i> | <i>sd</i> |
| 2    | 23 293  |           | MATL AMENDED VIDE AL NO 698 |      |           | <i>sd</i> |
| 1    | 24 2-83 |           | TRACED WITHOUT CHANGE       |      | <i>sd</i> | <i>sd</i> |
| R NO | DATE    | AUTHORITY | BRIEF RECORD                | ZONE | CD        | GO        |
|      |         |           |                             |      | SIGN      |           |

|  |         |                 |                      |
|--|---------|-----------------|----------------------|
| DRG SEALED <i>sd</i>                   |         | Wg cdy CRE (AA) |                      |
| DRN DVK                                | CHD PRP | TRD AJT         | COMP <i>sd</i>       |
| CD <i>sd</i>                           | PASSED  | SCALE - 2:1     | ASSY DRG ARDE 1947/4 |
| APPROVED <i>sd</i>                     |         | EST WEIGHT      | DESIGN AUTHORITY     |
| Wg cdy FOR DIRECTOR                    |         | GAUGE SCHED     | <b>ARDE, PUNE-21</b> |
| STEEL TO IS: 5517-1978 40C10 S18       |         | DATE - 15-5-78  |                      |
| MATL - OR BS: 970 PART I: 1983 080 M40 |         |                 |                      |

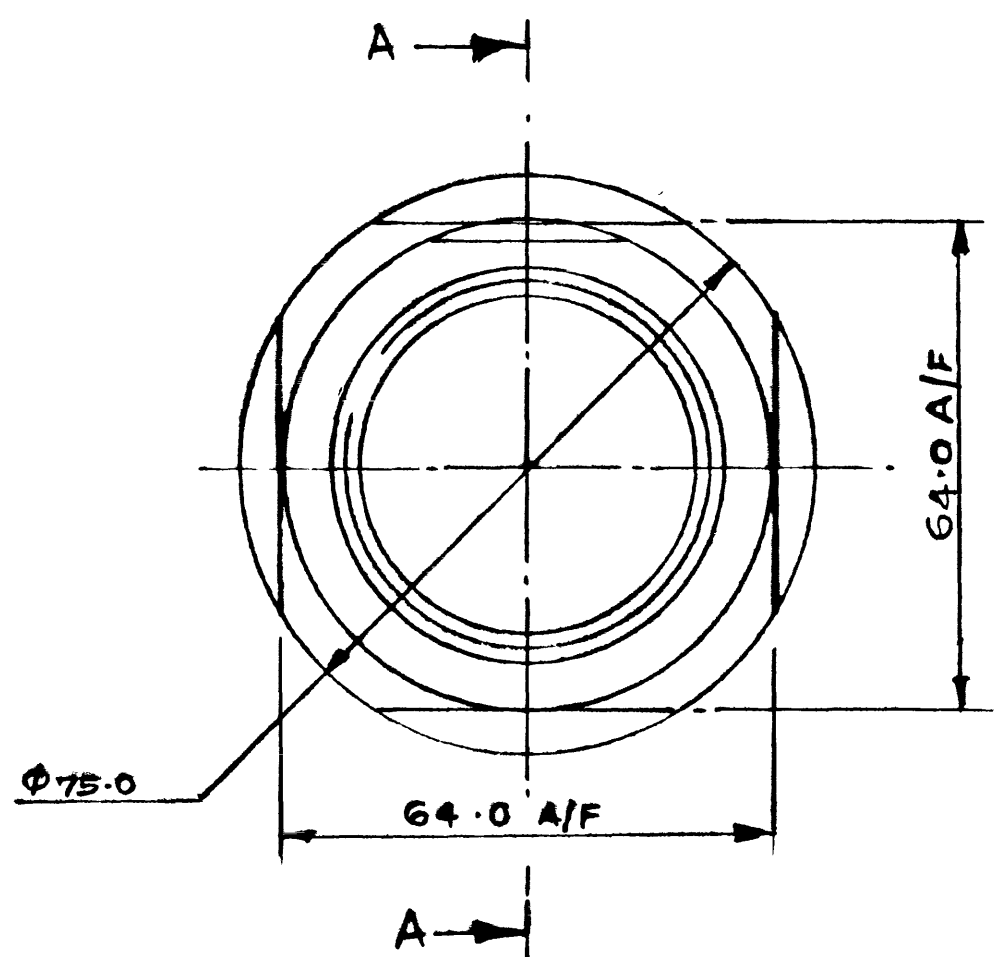
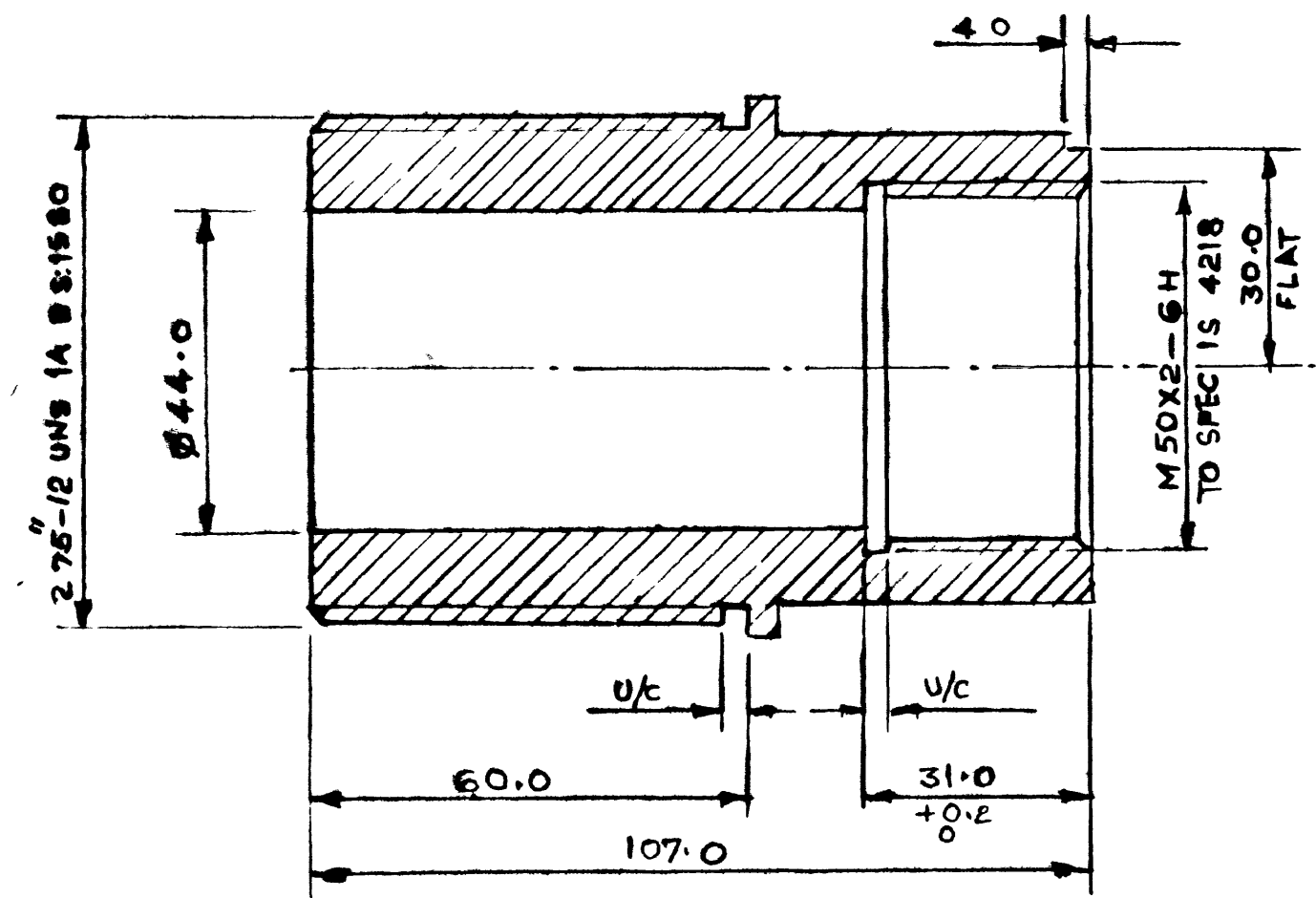
|                              |   |
|------------------------------|---|
| <b><u>PIN, SHEAR</u></b>     | DRG NO<br><b>ARDE 1947</b><br>DET. NO 7<br>PART NO<br>DS CAT NO<br>AHSP |
| PROTECTIVE FINISH - AS ABOVE |   |

DRG CONVENTIONS CONFORM TO IS 696  
 DIMNS ARE IN mm UNLESS OTHERWISE STATED  
 GEN TOL. - MEDIUM CLASS TO IS. 2102

DRG No ARDE 1947  
 DET No 8  
 SHT No 5



- NOTES:-**
- 1 ALL SHARP EDGES AND BURRS ARE TO BE REMOVED
  - 2 SCREW THREAD RUNOUTS AND UNDERCUTS TO BE IN ACCORDANCE WITH SPEC IS. 1369.
  - 3 SCREW THREADS TO CONFORM TO SPEC IS: 4218
  - 4 DIM. ARE TO BE READ AS APPLYING AFTER COATING
  5. SURFACE FINISH  $\frac{3}{8}$  ALL OVER
  - 6 HARDNESS, - 390+20 HV
  7. AFTER CADMIUM PLATING THE PART SHOULD BE BAKED IMMEDIATELY AT 205°C FOR 8 TO 10 HOURS
  - 8 SPOT FACING TO BE DONE DURING ASSEMBLY WITH BLOCK HOUSING FOR INSERTING THE GRUB SCREW
  9. AFTER CADMIUM PLATING THE PART SHOULD BE BAKED IMMEDIATELY AT 205°C FOR 8 TO 10 HOURS.



SECTION-A A

**PROTECTIVE FINISH:-**  
 CADMIUM PLATED TO SPEC IS: 1572, WITH CLASSIFICATION No. 12

|   |           |                             |              |                  |              |  |         |                      |
|---|-----------|-----------------------------|--------------|------------------|--------------|--|---------|----------------------|
| 4 | 15-3-2000 | DRG RETRACED                |              | DRN ROS          | CHD DVK      | TRD RVM  | COMP sd | ASSY DRG ARDE 1947/3 |
| 3 | 23-2-93   | MATL AMENDED VIDE AL No 698 |              | CD               | PASSED       | SCALE 1:1  |         | DESIGN AUTHORITY     |
| 2 | 17-2-88   | AMENDED VIDE AL No 592      | E-3          | sd/-             | APPROVED     | EST WEIGHT   |         | ARDE PUNE-21         |
| 1 | 09-3-83   | TRACED WITHOUT CHANGE       | -            | sd/-             | FOR DIRECTOR | GAUGE SCHED  |         |                      |
| R | DATE      | AUTHORITY                   | BRIEF RECORD | ZONE             | SIGN         | DATE 5/5/80  |         |                      |
|   |           |                             |              |                  |              | MATL. - STEEL TO IS 5517-1978 40NiCr 4Mo3 OR BS. 970 PART-1 1983 817M 40 |         |                      |
|   |           | DRG SEALED                  | sd/-         | Wg Cdr CRE (CAA) |              | PROTECTIVE FINISH AS ABOVE   |         |                      |

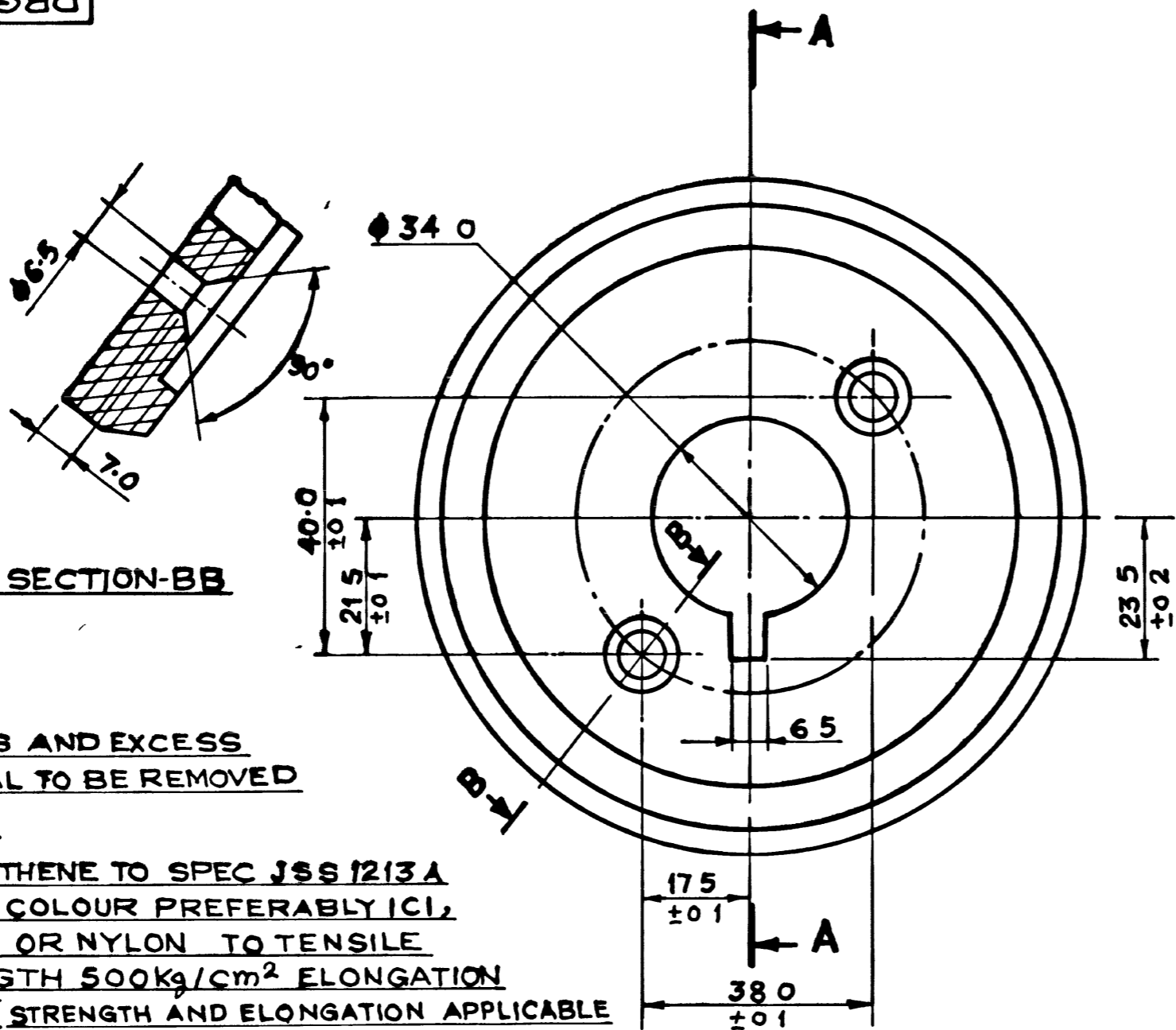
**ADAPTER FOR BOMB**

DRG No ARDE 1947  
 DET No 8  
 PART No.  
 DS CAT No  
 ANSP

8 7 6 5 4 3 2 1

DRG. NO. ARDE 1947  
DET NO 9  
PART NO.

DRG CONVENTIONS CONFORM TO IS 696  
DIM ARE IN MM  
GEN TOL: MEDIUM CLASS TO IS 2102.



**PART SECTION-BB**

**SECTION - AA**

**NOTE:-**  
FLASHES AND EXCESS  
MATERIAL TO BE REMOVED

**MATERIAL:-**  
LD POLYTHENE TO SPEC JSS 1213A  
NATURAL COLOUR PREFERABLY ICI,  
W NG 14 OR NYLON TO TENSILE  
STRENGTH 500kg/cm<sup>2</sup> ELONGATION  
200% (STRENGTH AND ELONGATION APPLICABLE  
TO NYLON ONLY)

|            |       |                         |              |           |            |              |                |                      |
|------------|-------|-------------------------|--------------|-----------|------------|--------------|----------------|----------------------|
| DRN        | DVK   | CHD                     | PRP          | TRD       | AJT        | COMP         | sd             | ASSY DRG ARDE 1947/3 |
| CD         | sd.   | PASSED                  |              | SCALE 1:1 | EST WEIGHT | GAUGE SCHD   | DATE - 25-4-78 | DESIGN AUTHORITY     |
| 2          | 28200 | RETRACED WITHOUT CHANGE |              | APPROVED  | sd         | FOR DIRECTOR |                | <b>ARDE PUNE-21</b>  |
| 1          | 25783 | TRACED WITHOUT CHANGE   |              | Wg. Cdr   |            |              |                |                      |
| R NO.      | DATE  | AUTHORITY               | BRIEF RECORD | ZONE      | CD         | GO           | SIGN           | MATL- AS ABOVE       |
| DRG SEALED | sd    | Wg Cdr CRE (AA)         |              |           |            |              |                | PROTECTIVE FINISH -  |

ASSY DRG ARDE 1947/3  
DESIGN AUTHORITY  
**ARDE PUNE-21**  
  
DRG. NO  
**ARDE 1947**  
DET NO 9  
PART NO  
D S CAT NO  
AHSP

**COLLAR**