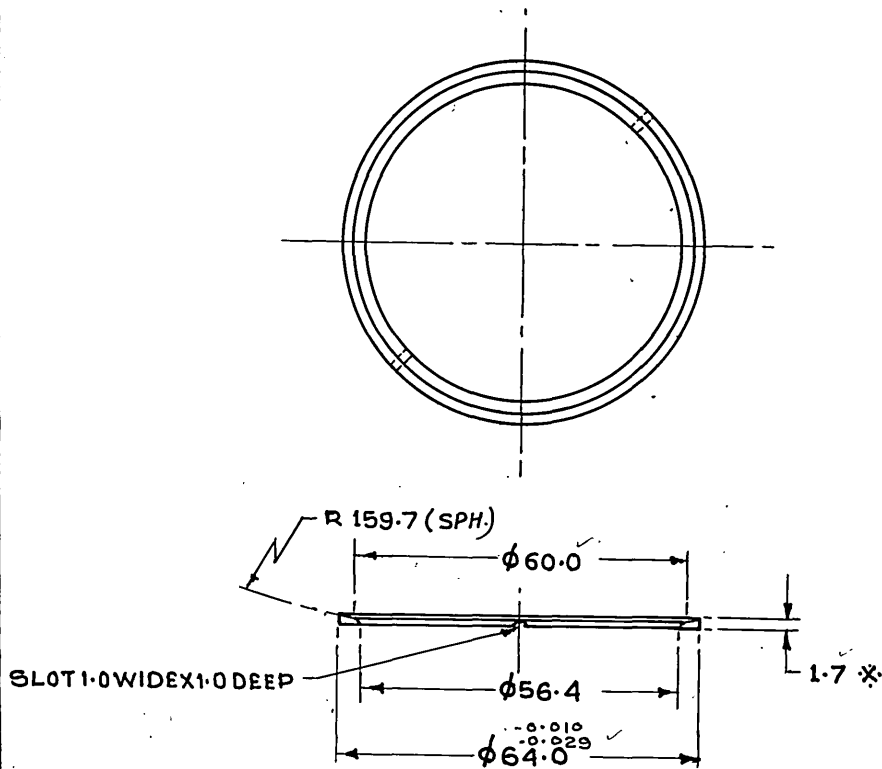


FOR EXPLANATION OF DIMENSIONING Etc. SEE CDA (I) GUIDE No. 001-1992.
 THIRD ANGLE PROJECTION DIMENSIONS ARE IN MILLIMETRES.

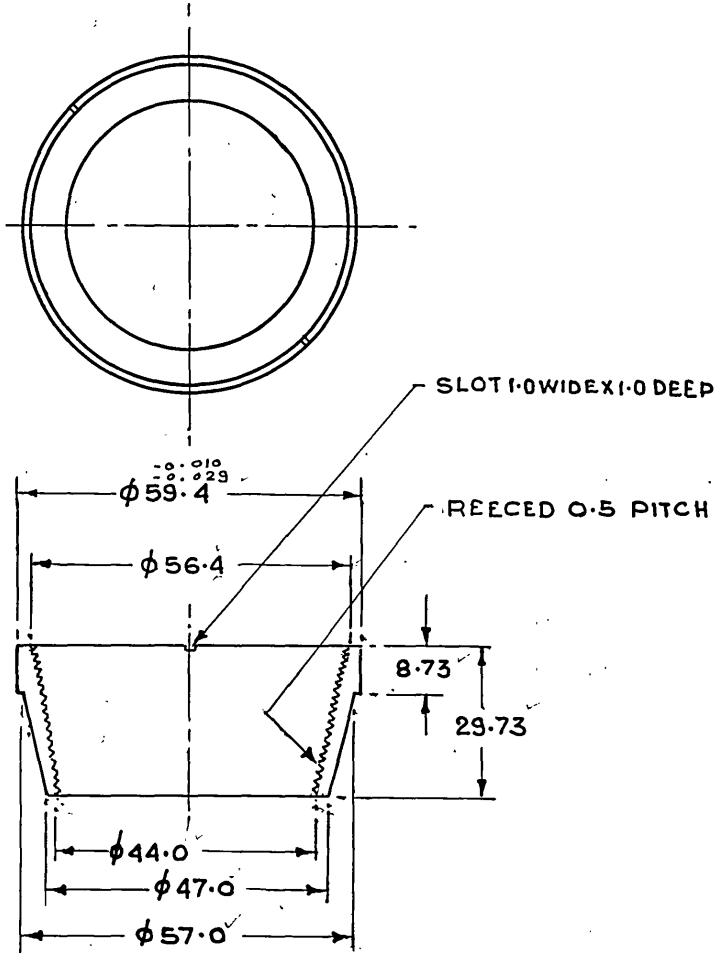


*0.11 MATERIAL KEPT MORE FOR ADJUSTMENT ON ASSY

D.C.(I)-1524-I(P), 1866-I(P), 6727-I.

					DRN	KKR	APPROVED
					TRCD		for DIRECTOR
	D.C.-6727-I. DRG. SEALED.			9.9.04	CHKD		IRDE, Dehra Dun
(a)	D.C.-1866-I(P)- MATL. & FINISH AMENDED.			18.4.91	CHKD	Abm	Date 28-10-80
	D.C.(I)-1524-I(P). DRG. PROV. SEALED.			3.1.91	USED ON		
SYM	AMENDMENTS	CHKD	SIG	DATE	BASED ON		
MATL & SPECN	AL ALLOY 24345-WP TO IS: 733-1983.			(a)	CAT PT. No		
FINISH	ANODISED BLACK DULL AC-15 TO IS: 1868-1982				DRG. No.	IRDE 1274/38	
TITLE	SPACER				SCALE	1:1	SH - OF

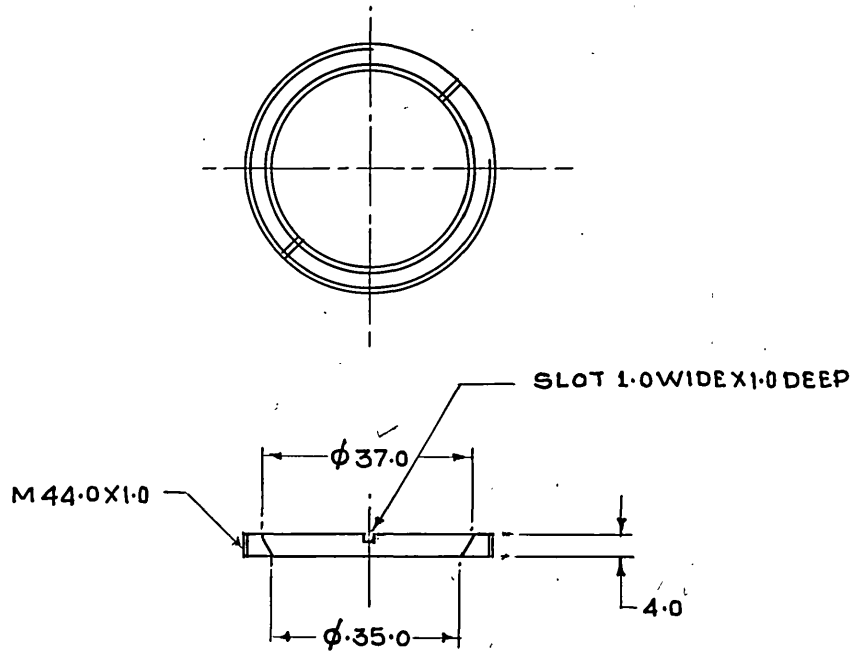
FOR EXPLANATION OF DIMENSIONING Etc. SEE CQA(I) GUIDE No. 001-1992.
 THIRD ANGLE PROJECTION DIMENSIONS ARE IN MILLIMETRES.



D.C.(I):-1524-I(P),1866-I(P),6727-I.

					DRN	KKR	APPROVED <i>[Signature]</i> for DIRECTOR IRDE, Dohra Dun
					TRCD		
	D.C.:- 6727-I. DRG. SEALED.	<i>[Signature]</i>	<i>[Signature]</i>	9.9.04	CHKD	<i>[Signature]</i>	Date 28-10-90
(a)	D.C.:-1866-I(P):- MATL. & FINISH AMENDED.	<i>[Signature]</i>	<i>[Signature]</i>	18.4.94	CHKD	<i>[Signature]</i>	
	D.C.(I):-1524-I(P). DRG. PROV. SEALED	<i>[Signature]</i>	<i>[Signature]</i>	3.1.91	USED ON		
SYM	AMENDMENTS	CHKD	SIG	DATE	BASED ON		
MATL & SPECN	AL ALLOY 24345-WP TO IS:733-1963.			(a)	CAT PT. No		
FINISH	ANODISED BLACK DULL AC-15 TO IS:1868-1982. (a)				DRG. No.	IRDE 1274/36	
TITLE	CUP				SCALE	1:1	SH - OF

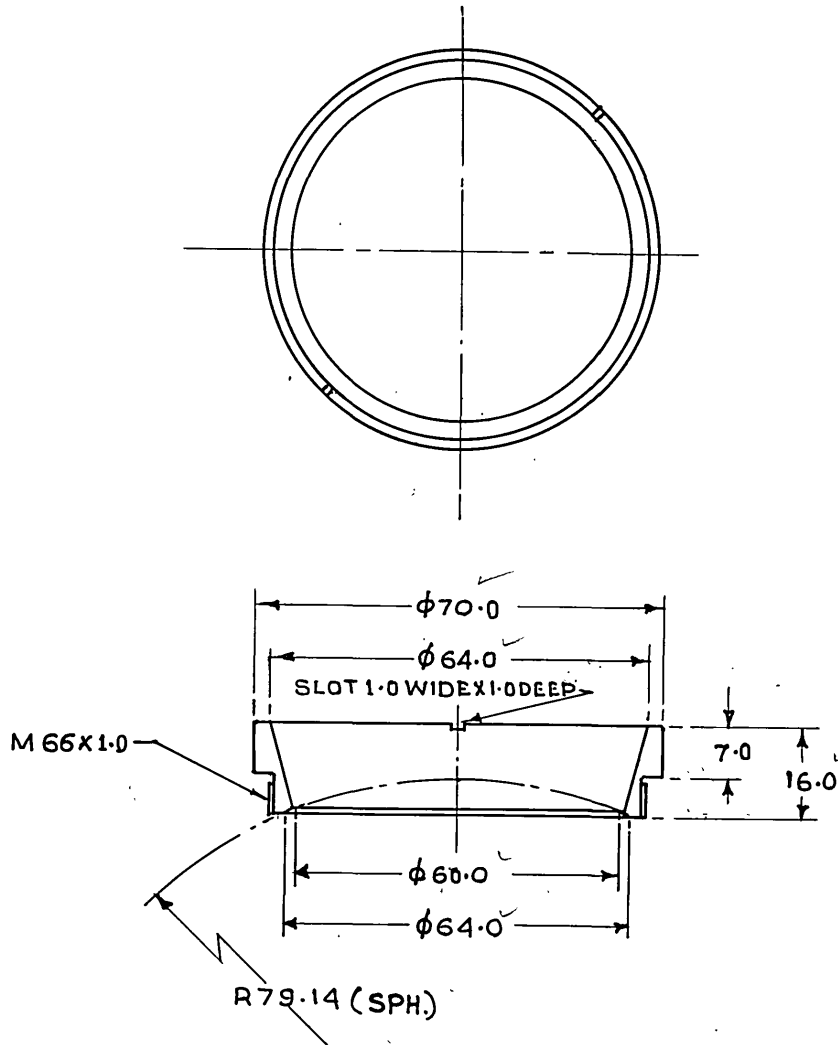
FOR EXPLANATION OF DIMENSIONING Etc. SEE C.Q.A(I) GUIDE No.001-1992.
 THIRD ANGLE PROJECTION DIMENSIONS ARE IN MILLIMETRES.



D.C.(I)-1524-I(P),1866-I(P),6727-I.

					DRN	KKR	APPROVED
					TRCD		<i>[Signature]</i>
							for DIRECTOR
	D.C.:- 6727-I. DRG. SEALED	<i>[Signature]</i>	<i>[Signature]</i>	9.9.04	CHKD	<i>[Signature]</i>	IRDE, Dehra Dun
(a)	D.C.-1866-I(P):- MATL. & FINISH AMENDED.	<i>[Signature]</i>	<i>[Signature]</i>	18.4.94	CHKD	<i>[Signature]</i>	Date 29-10-90
	D.C.(I):- 1524-I(P). DRG. PROV. SEALED.	<i>[Signature]</i>	<i>[Signature]</i>	3.1.91	USED ON		
SYM	AMENDMENTS	CHKD	SIG	DATE	BASED ON		
MATL & SPECN	A.L. ALLOY 24345-WP TO IS: 233-1983.			(a)	CAT PT. No		
FINISH	ANODISED BLACK DULL AC-15 TO IS: 1868-1982 (a)				DRG. No.	IRDE 1274/35	
TITLE					SCALE	1:1	SH - OF
RING, SECURING							

FOR EXPLANATION OF DIMENSIONING Etc. SEE CQA(I) GUIDE No-001-1992.
 THIRD ANGLE PROJECTION DIMENSIONS ARE IN MILLIMETRES.



D.C (1) :- 1524-I(P), 1866-I(P), 6727-I.

					DRN	KKR	APPROVED
					TRCD		<i>[Signature]</i>
	D.C :- 6727-I. ORG. SEALED.	<i>[Signature]</i>	<i>[Signature]</i>	9.9.84	CHKD	<i>[Signature]</i>	for DIRECTOR IRDE, Dehra Dun
(a)	D.C :- 1866-I(P) :- MATL. & FINISH AMENDED.	<i>[Signature]</i>	<i>[Signature]</i>	18.4.94	CHKD	<i>[Signature]</i>	Date 29-10-80
	D.C (1) :- 1524-I(P) DRG. PROV. SEALED	<i>[Signature]</i>	<i>[Signature]</i>	3.1.91	USED ON		
SYM	AMENDMENTS	CHKD	SIG	DATE	BASED ON		
MATL & SPECN	AL. ALLOY 24345-WP TO IS: 733-1983.			(a)	CAT PT. No		
FINISH	ANODISED BLACK OULL AC-15 TO IS: 1868-1982. (a)				DRG. No.	IRDE1274/41	
TITLE					SCALE	1:1	SH - OF
RAY SHADE							