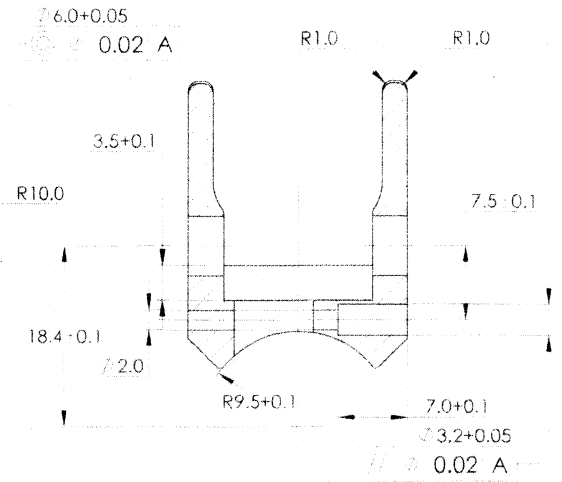
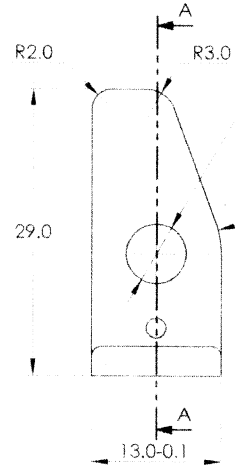
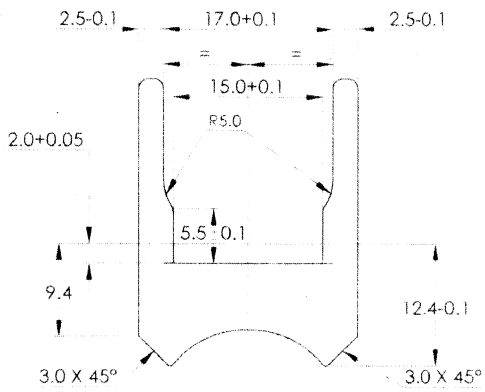
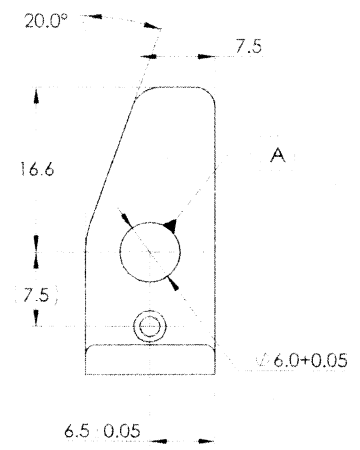
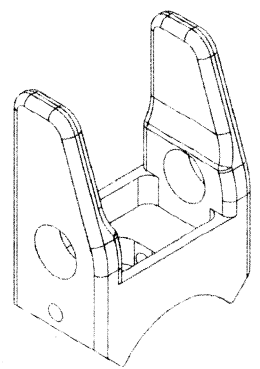
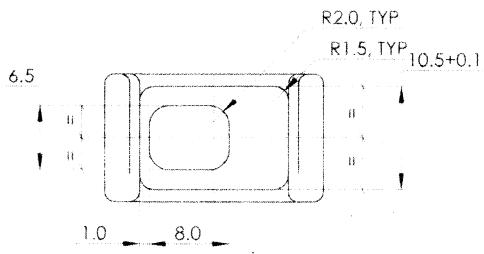


ISS C A AA S SS IC
 V A D 0 0 5 0 0 1 9 1 1 0 4 0 3 0 4 0 2 0 4 DRG No.

GENERAL TOL. : FINE / MEDIUM / COARSE CLASS TO IS: 2102
 DRG. CONVENTIONS CONFIRM TO INDIAN STANDARDS DIMENSIONS ARE IN mm UNLESS OTHERWISE STATED.

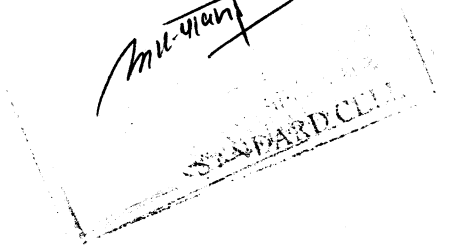


SECTION A-A



Host MMP

21/9/22
Mu-yanf



NOTES:-

- 1) REMOVE ALL SHARP EDGES AND BURR.
- 2) TOL. FOR ANGLES : 30' UNLESS OTHERWISE STATED.
- 3) DIMENSIONS ARE TO BE READ AS APPLIED AFTER PROTECTIVE FINISH.
- 4) HARDNESS : 260-310 HV
- 5) IF THE COMPONENT IS TO BE MANUFACTURED THROUGH MIM ROUTE, REFER ARDE SPECN No: DRDO/ARDE/MIM/TSP/051/2019.
- 6) SURFACE FINISH VV ALL OVER EXCEPT WHERE SPECIFIED.

Sr. No.	DATE	AUTHORITY	BRIEF RECORD	ZONE	CD	GO
DRN: SOURABH			MATERIAL:			
SIGN: <i>[Signature]</i>		<i>[Signature]</i>	STEEL TO IS : 5517-1993, Gd. - 55C8			
DATE: 07/03/2019		CHECKED	PROTECTIVE FINISH:			
APPD:		<i>[Signature]</i>	PHOSPHATED TO SPECN. IS:3618-1966. CLASS 'B'			
DATE: 07/03/2019		FOR DIRECTOR				
SEALED						
DATE:						
SHEET SIZE: A3	EST. MASS	TITLE:				
SCALE: 2:1	18.9 gm					
DESIGN AUTHORITY						
ARDE						
PUNE 411021						
DRG No. 0 2 0 4 0 3 0 4 1 1 1 9 0 0 5 0 0 D A						
IC SS S AA A C SST						
JVPC PART No.		DS CAT No.		AHSP		

HOUSING SIGHT REAR