

ORDNANCE FACTORY, DEHRADUN

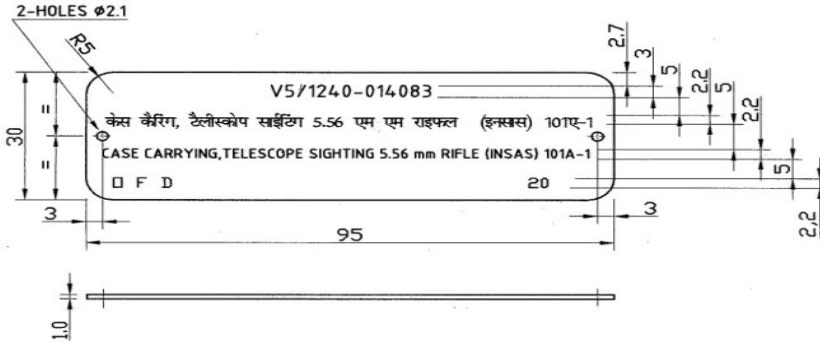
**CASE CARRYING TELESCOPE SIGHTING
5.56 mm RIFLE (INSAS) 101A-1**

IRDE 2659/3

PLATE IDENTIFICATION -I

THIRD ANGLE PROJECTION 

MCT-2212/1



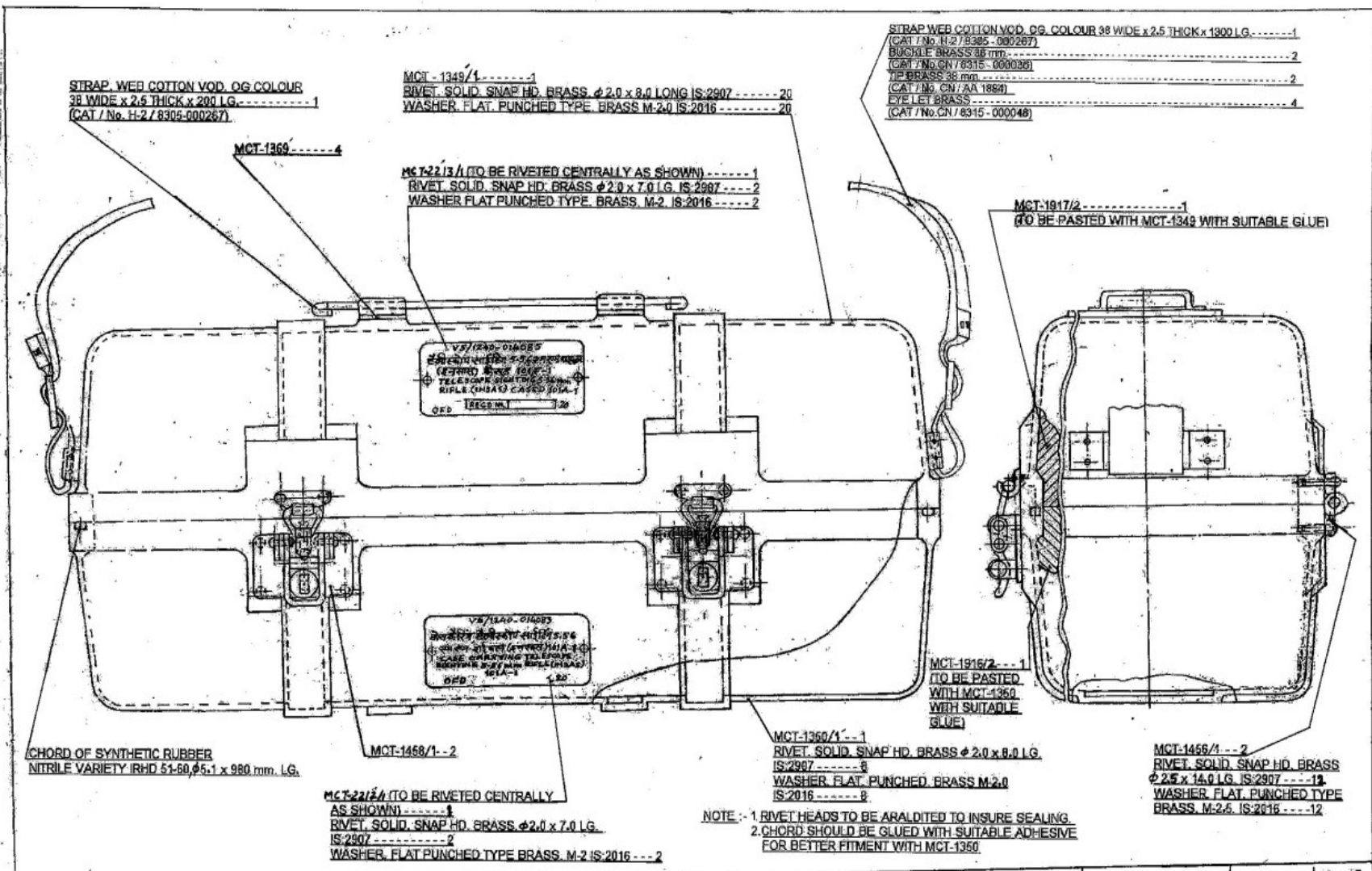
NOTE :- LETTERS & FIGURES ARE TO BE PHOTOETCHED BLACK ON ANODISED AL. PLATE

MATL :- AL. ALLOY, 19000 HI-IS:737-1986

FINISH :- ANODISED AC-15 IS:1868-1986

DIMENSIONS ARE IN M/M OTHERWISE STATED
IMPORTANT DIMENSIONS MARKED THUS ⊕
INFORMATION MARKED THUS † TO BE MARKED ON

	DR- P.C.SINGH	DT.- 26-10-2004	SCALE- 1:1
	TR-	MATL. AS ABOVE	TREAT. AS ABOVE
	CH- <i>Chandra</i>	SHEETS. 1	SHT. NO. 1
DA. No 27/2011 DT- 30/9/11	APPROVED	DRAWING NO.	
AMENDMENTS	<i>JWM/D.D.</i>	MCT- 2212/1	
□ F D / □ □ / 002	<i>J.K. GM/P-1</i>		



STRAP WEB COTTON VCD, OG COLOUR
38 WIDE x 2.5 THICK x 200 LG.-----1
(CAT / No. H-2 / 8309-000267)

MCT-1349/1-----1
RIVET SOLID SNAP HD. BRASS ϕ 2.0 x 8.0 LG IS:2907-----20
WASHER FLAT PUNCHED TYPE BRASS M-2.0 IS:2016-----20

STRAP WEB COTTON VCD, OG COLOUR 38 WIDE x 2.5 THICK x 1300 LG.-----1
(CAT / No. H-2 / 8385-000267)
BUCKLE BRASS 36 mm-----2
(CAT / No. CN / 8315-000086)
TP BRASS 36 mm-----2
(CAT / No. CN / AA 1889)
EYE LET BRASS-----4
(CAT / No. CN / 8315-000046)

MCT-1369-----4

MCT-2213/1 (TO BE RIVETED CENTRALLY AS SHOWN)-----1
RIVET SOLID SNAP HD. BRASS ϕ 2.0 x 7.0 LG IS:2907-----2
WASHER FLAT PUNCHED TYPE BRASS M-2 IS:2016-----2

MCT-1917/2-----1
(TO BE PASTED WITH MCT-1343 WITH SUITABLE GLUE)

CHORD OF SYNTHETIC RUBBER
NITRILE VARIETY IRHD 51-60, ϕ 5.1 x 980 mm. LG.

MCT-1458/1--2

MCT-2213/1 (TO BE RIVETED CENTRALLY AS SHOWN)-----1
RIVET SOLID SNAP HD. BRASS ϕ 2.0 x 7.0 LG IS:2907-----2
WASHER FLAT PUNCHED TYPE BRASS M-2 IS:2016-----2

MCT-1360/1--1
RIVET SOLID SNAP HD. BRASS ϕ 2.0 x 8.0 LG IS:2907-----8
WASHER FLAT PUNCHED BRASS M-2.0 IS:2016-----8

MCT-1916/2---1
(TO BE PASTED WITH MCT-1360 WITH SUITABLE GLUE)

MCT-1458/1--2
RIVET SOLID SNAP HD BRASS ϕ 2.5 x 14.0 LG IS:2907---13
WASHER FLAT PUNCHED TYPE BRASS M-2.5 IS:2016---12

NOTE: 1. RIVET HEADS TO BE ARALDITE TO INSURE SEALING.
2. CHORD SHOULD BE GLUED WITH SUITABLE ADHESIVE FOR BETTER FITMENT WITH MCT-1360.

ORDNANCE FACTORY
DEHRADUN

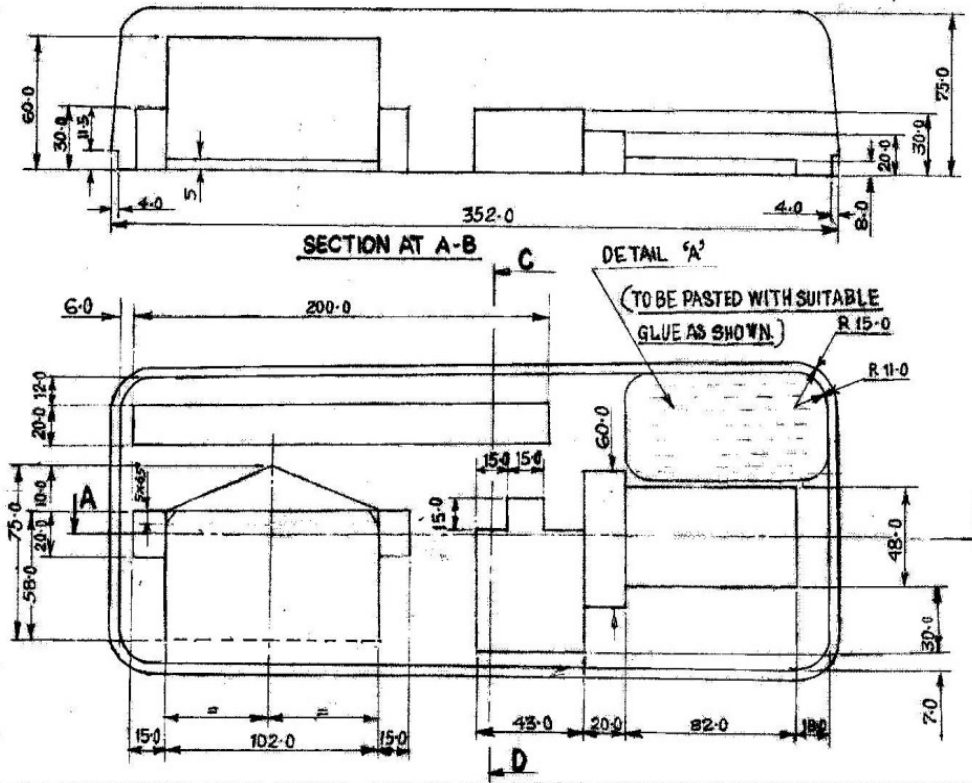
DR-2/2004
TR-
CH-
APPROVED:
Sd/- M.H.V.
1. MM. T.O. ARMTS.

CASE CARRYING, TELESCOPE SIGHTING, 5.56 mm. RIFLE (INSAS) 101 A-1
GEN. ASSY.

DRG. No. :
IRCI-2659

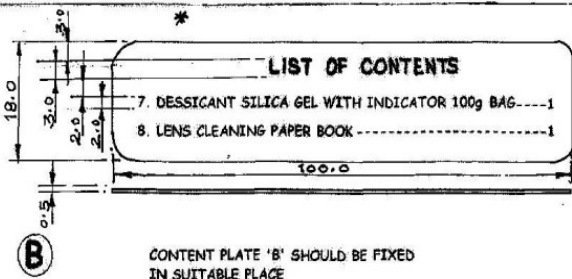
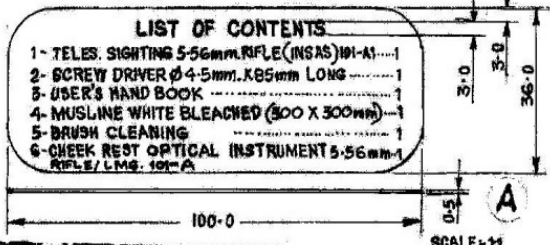
DATE: 12/01/03, D: 16/03	DE--6-2001	SCALE
DA. NO. 03/2005 dt. 30.05	MATL	STRETCH
D.A. No. 14/2005 dt. 02.06	AS ABOVE	AS ABOVE
AMENDMENT	SHEETS: 11	SHEET NO.
OFD/D.O./062	DRAWING NO.	MCT-1925/5

MCT-1917/2



MATL. & SPECN.
 FOAM, RUBBER, DENSITY 0.18
 +0.01 gm/cm³
 OR
 (a) POLYURETHENE FOAM
BLACK/GREY
TO IS: 7933-1975

CONTENT PLATE



NOTE:-

- 1- LETTERS & FIGURES TO BE PHOTETCHED ON ANODISED AL. SHEET.
- 2- ALL LETTERS & FIGURES TO BE 2.0 HIGH AND GAP BETWEEN TWO LINES TO BE 2.0

MATL:-
 AL. ALLOY SHEET, 19000 HI, IS: 737- 198 6
FINISH:-
 ANODISED, AC-15-HE-1868

CONTENT PLATE 'B' SHOULD BE FIXED IN SUITABLE PLACE

आयुध निर्माणी
 ORDNANCE FACTORY
 देहरादून
 DEHRADUN

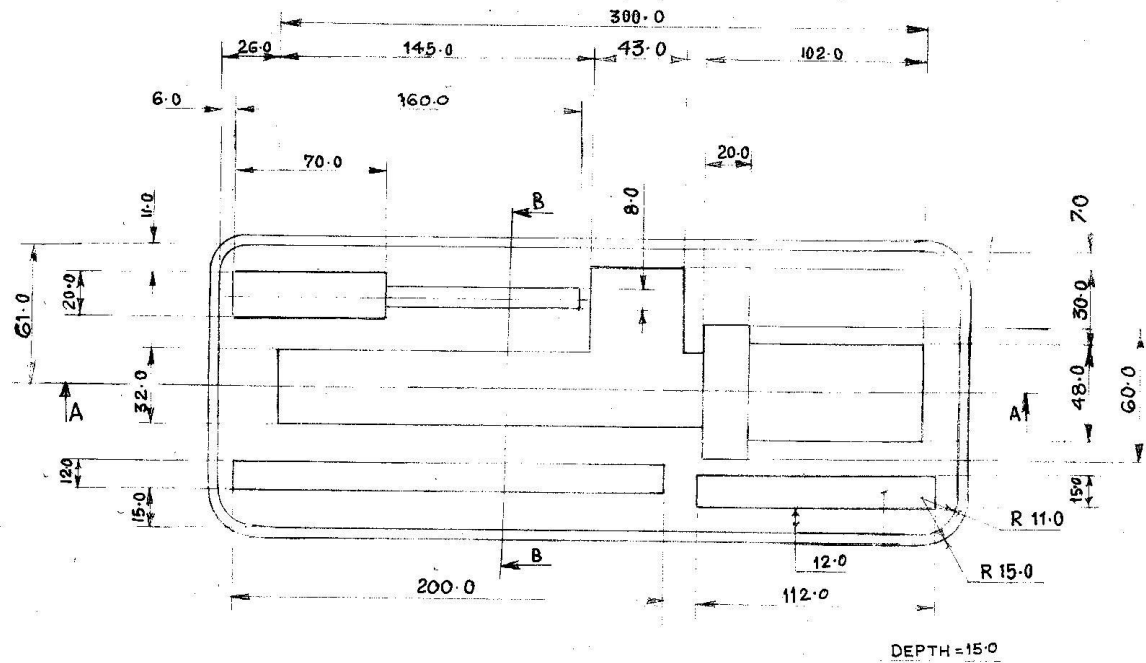
अनुमोदित APPROVED
 M.H.V.
 DRG.No. IRDE 2659/2

TELESCOPE, SIGHTING 5.56mm. RIFLE (INSAS) CASED 101A-1

FOAM, UPPER

ड्राइंग नं. 16-6-01	ड्राइंग नं. 16-6-01
ड्राइंग नं. 16-6-01	ड्राइंग नं. 16-6-01
* D.A.No. 41/2013 D.A. 16.12.2013	AS ABOVE
अ) D.A. NO 14/2002 02.02.02	ड्राइंग नं. 1
AMENDMENTS OFD/DO/402	DRAWING NO MCT-1917/2

DRG.No. MCT-1916/2



MATL & SPECN.

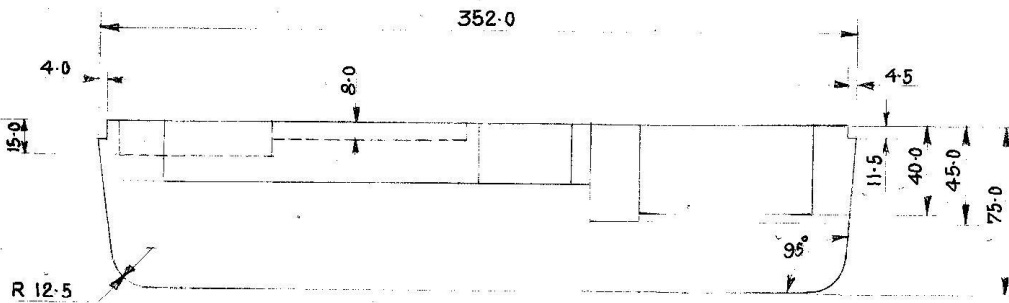
FOAM, RUBBER DENSITY 0.18+0.01

gm/Cm³

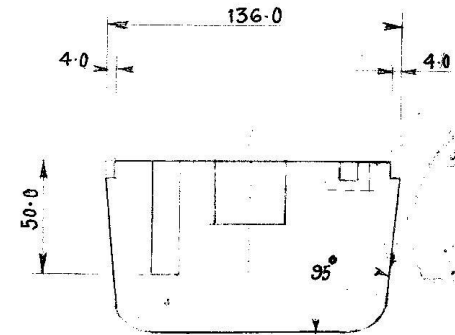
(OR)

(a) POLYURETHENE FOAM
BLACK/GREY TO IS:7933-1973

DEPTH = 15.0



SECTION AT 'AA'



SECTION AT 'BB'

DIMENSION IN mm

आयुध निर्माणी
ORDNANCE FACTORY
देहरादून
DEHRADUN

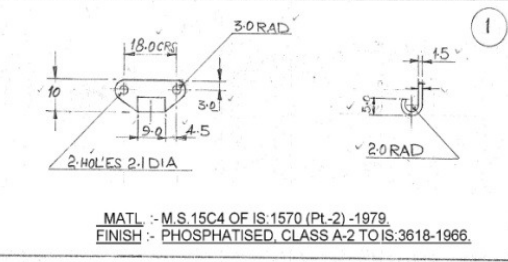
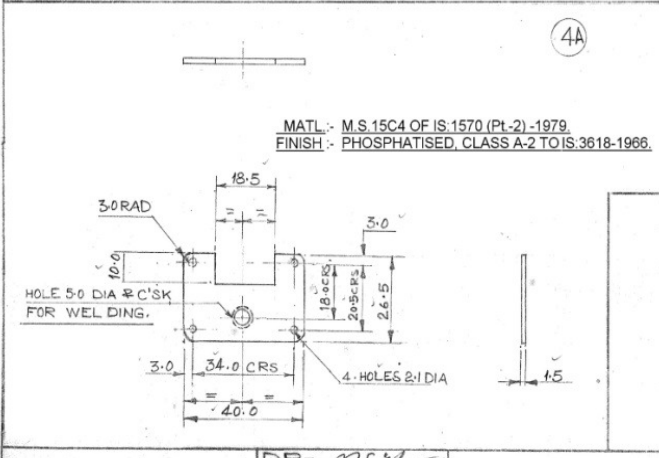
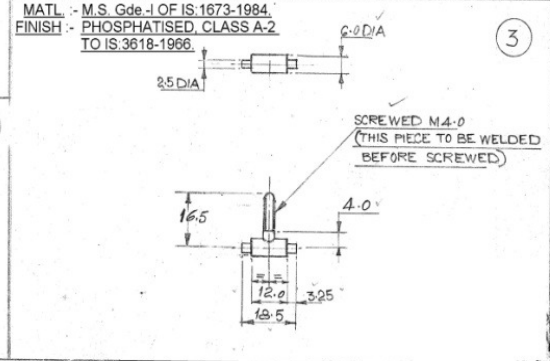
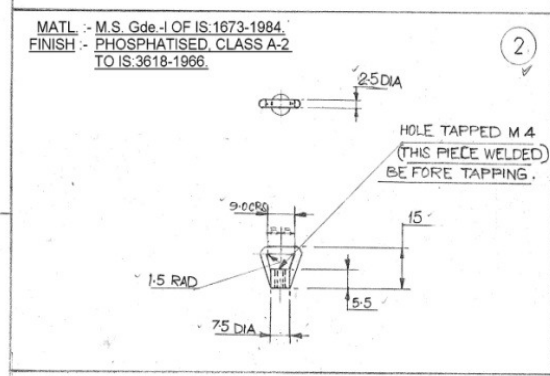
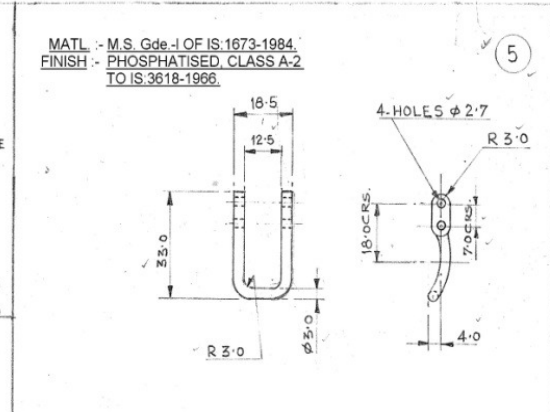
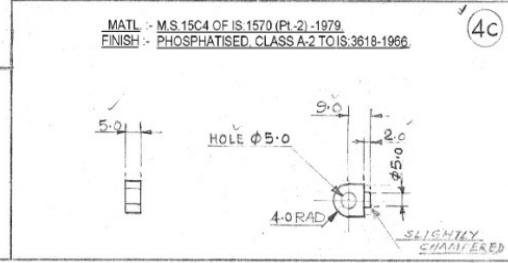
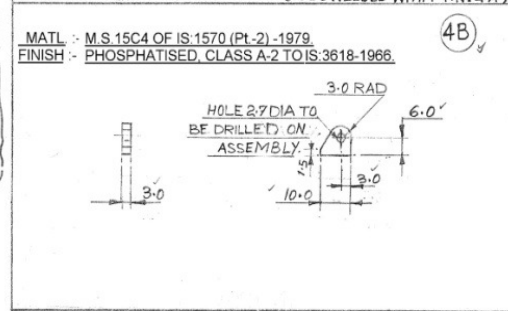
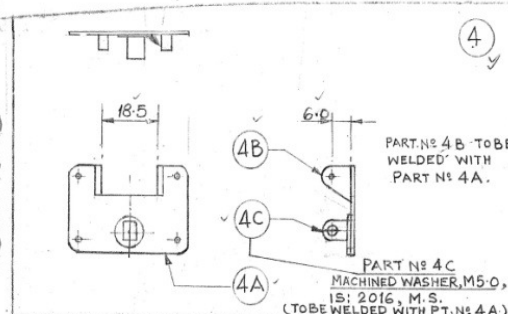
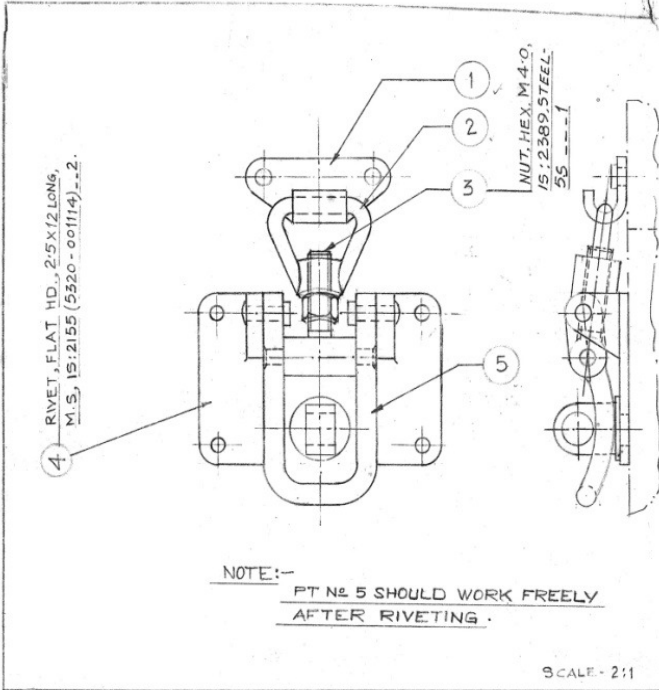
APPROVED
N. H. Vijaya

TELESCOPE, SIGHTING 5.56mm. RIFLE (INSAS) CASED 101A-1

FOAM, LOWER

DRG.No. IRDE 2659/1

DRG. No. 16-6-01	SCALE: 1:2
MATERIAL: AS ABOVE	FINISH: AS ABOVE
DATE: 16/12/2013	SHEETS: 1
APP. D.A. No. 14/2002	DRAWING No. MCT-1916/2
AMENDMENTS: OFD/D.O/002	



ORDNANCE FACTORY
DEHRADUN

DR-07/21
TR-
CH-
APPROVED
WM/PL

CASE, CARRYING, TELESCOPE SIGHTING 5.56mm LMG
(INSAS)
FASTNER, SET, TURN LOCK

DRG No IRDE-1203/SA(95HTS)

DATE - 9-10-98
SCALE - 1:1 & 2:1
MATERIAL TREAT
AS IN DETAIL AS IN DETAIL
SHTS - 1 SHT No 1
* DA No 38/2013 Dtd 15/12/2013
AMENDMENTS
OFD/DO/002

DRG.No. - MCT-1458/1

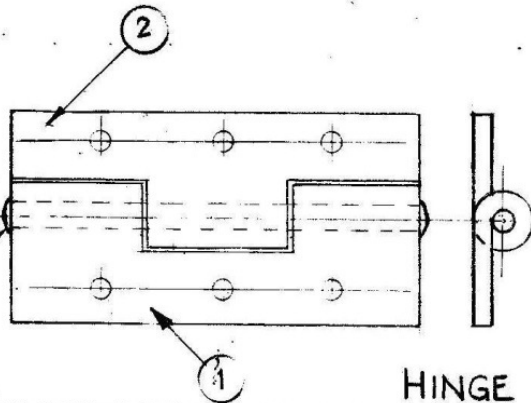
THIRD ANGLE PROJECTION



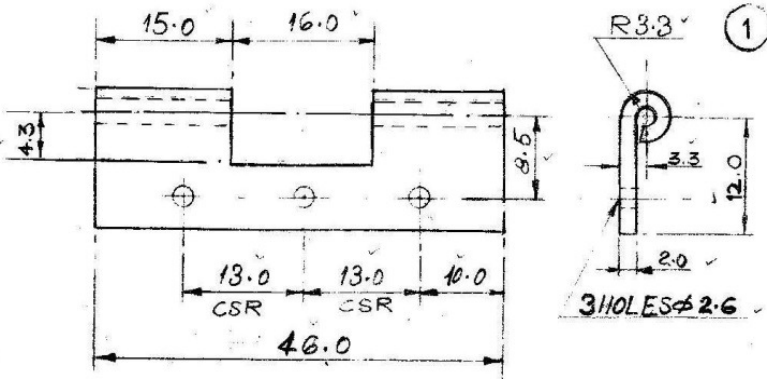
IF IN DOUBT ASK

MCT/1456/1

BRASS WIRE, ϕ 2.5 X 50 LG,
HALF HARD, IS: 4418 (TO BE
RIVETTED AT BOTH ENDS)

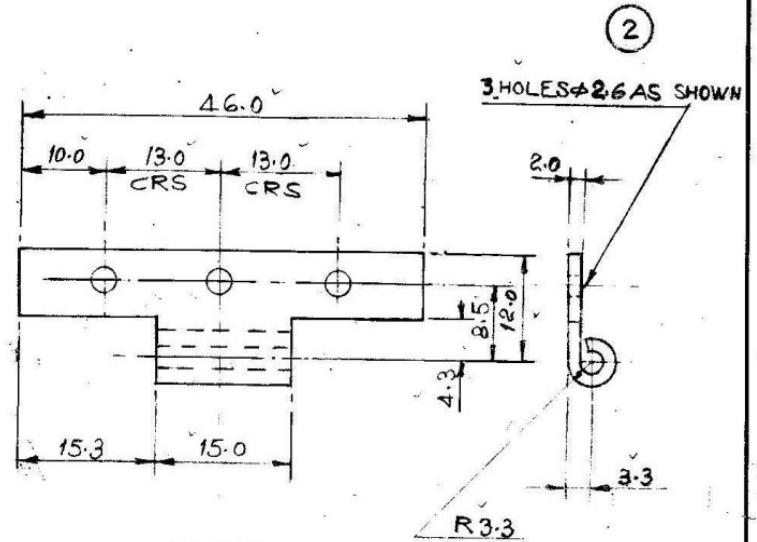


HINGE



FLAP

* MATL - BRASS SHEET, IS: 410-1977, CuZn 37 HB
FINISH - BRONZED BLACK DULL



FLAP

* MATL - BRASS SHEET, IS: 410-1977, CuZn 37 HB.
FINISH - BRONZED BLACK DULL

आयुध निर्माणी
ORDNANCE FACTORY
देहरादून
DEHRADUN

अनुमोदित
APPROVED
DRG. NO. 18DE-26115

CASE CARRYING
TELESCOPE, SIGHTING, 5.56mm LMG, (INSAS)
HINGE

जुगाइका नाम TITLE OF सकिना OPERATION

ड्राइंग नं०
DRG. No. MCT-1456/1
10-10-96
SCALE 2:1
TREAT
AS ABOVE
K.D.A. No. 38/2013
DR. 15/12/2013
02D/02/002
AMENDMENTS

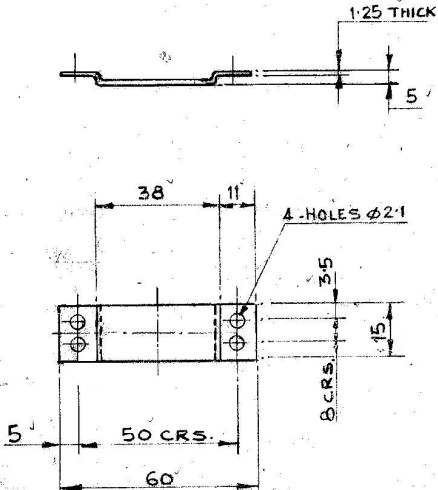
CASE, CARRYING. FRP OF PMS FOR

84 mm CARL GUSTAV, GUN

DRG. NO. IRDE-1613/A **CLIP, RETAINING** DC(15)903-1(P)

MCT/1369

ORDNANCE FACTORY, DEHRADUN.



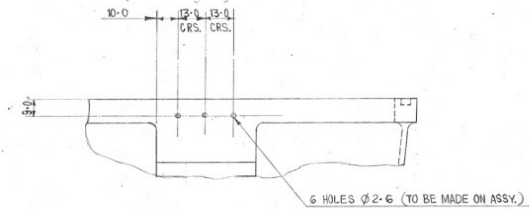
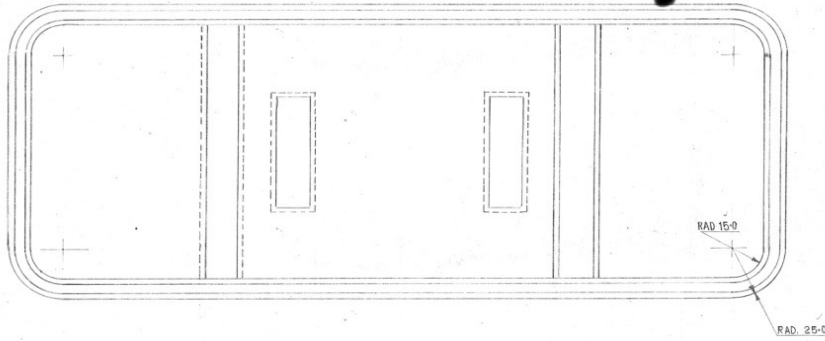
MATL. & SPECN. M.S., IS: 1079-1988, GRADE 'D'.

FINISH- APPLY PRIMER TO IS: 2074-1962 AND THEN PAINTED (ISC 294 TO IS: 5-1978) OF IS: 8982-1978 EXCEPT BEARING SURFACES.

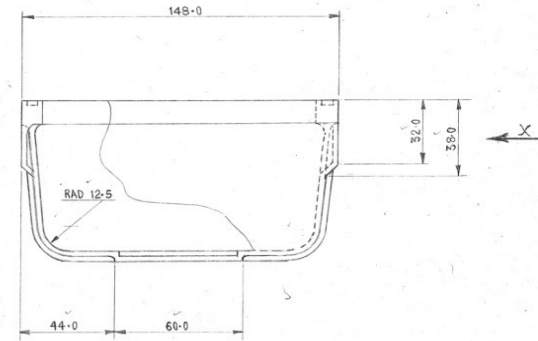
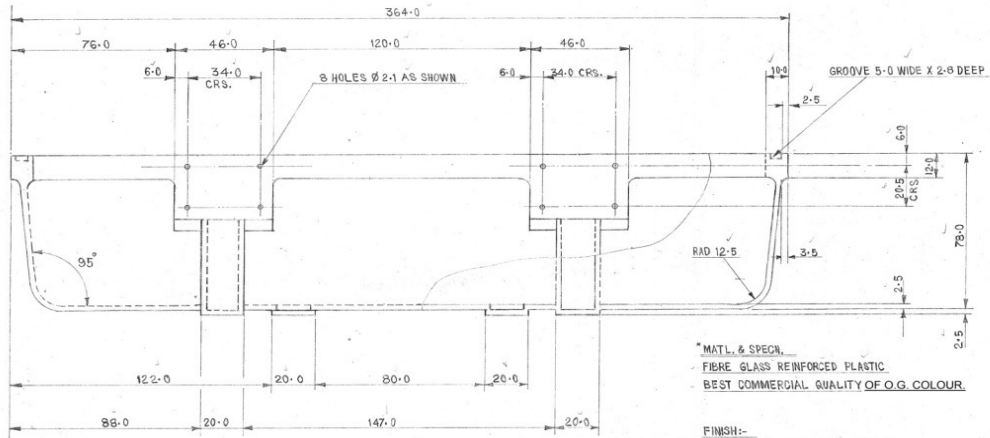
	DR - <i>mm</i>	DL 18-4-95	SCALE - 1:1
	TR -	MATL.	TREAT.
	CH - <i>As per</i>	AS ABOVE	AS ABOVE
	APPROVED	SHTS. 1	SHT. NO. 1
AMENDMENTS		DRAWING NO.	
OPD/DO/002	<i>ICD.O</i>	MCT/1369	

ML. Tong
AWM/PL-2

THIRD ANGLE PROJECTION



PART VIEW IN DIRECTION OF ARROW 'X'



ORDNANCE FACTORY
DEHRADUN

DR. *M. P. Misra*
TR.
CH. *M. P. Misra*
APPROVED
V. C. D. ANM/PLZ

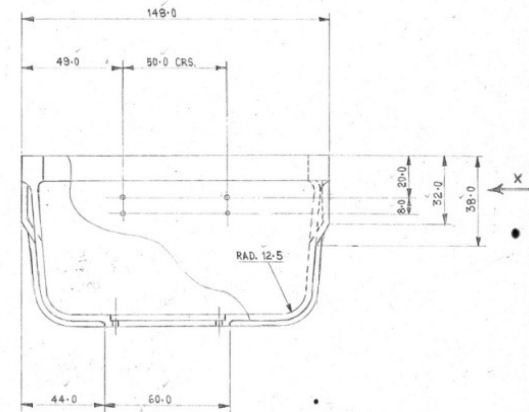
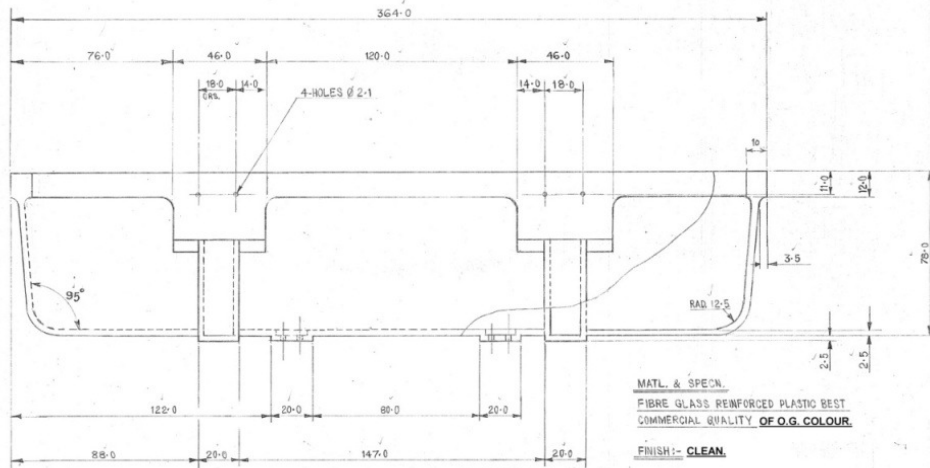
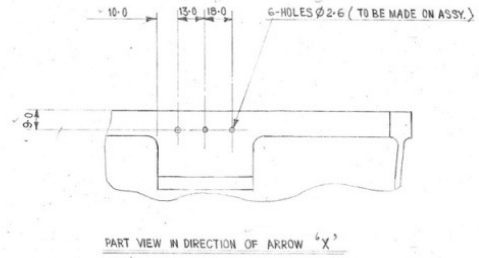
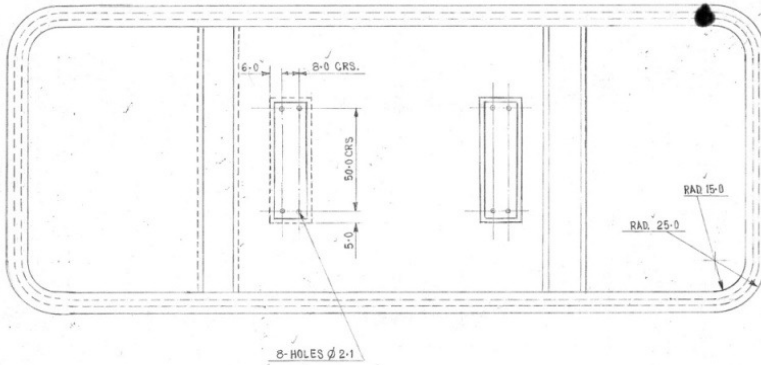
TELESCOPE, SIGHTING 5.56 mm. RIFLE / LMG.
BOX

DRG. No. IRDE. 2610/1

DATE: 23-12-94	SCALE: 1:1
MATL. AS ABOVE	TREAT.
D.A. No. 37/2013 Dm 15/12/2013	SHEETS 1 SHEET No. 1
AMENDMENT 13 OFD/DO/002	DRG. No. - MCT-1350/1

THIRD ANGLE PROJECTION

MCT-1349/1



ORDNANCE FACTORY

DEHRADUN

DR. *Sharma*
TR.
CH. *Sharma*
APPROVED
1/10/20 ITR (TR) (PL)
ANM/PL2

DRG. No. IRDE 2610/2

TELESCOPE, SIGHTING 5.56mm. RIFLE / LMG.

LID

DATE: 22-12-94 SCALE: 1:1

MATL. TREAT.

AS ABOVE

* D.A. No. 372013 DME 15 12 93

SHEETS 1

SHEET No.

* AMENDMENTS
QFD/0002

DRG. No. MCT/1349/1

ORDNANCE FACTORY, DEHRADUN

**CASE CARRYING TELESCOPE SIGHTING
5.56 mm. RIFLE (INSAS) 101 A-1**

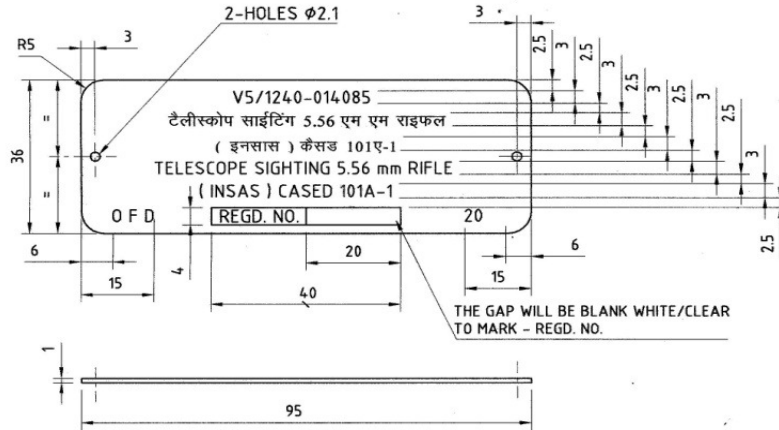
DRG. NO. IRDE-2659/4

PLATE IDENTIFICATION-II

THIRD ANGLE PROJECTION



MCT-2213/1



NOTE :-
LETTERS & FIGURES ARE TO BE PHOTOETCHED BLACK
ON ANODISED AL. PLATE.

MATL. :-
AL. ALLOY, 19000 HI-IS: 737-1986

FINISH :-
ANODISED AC-15 IS:1868-1986

DIMENSIONS ARE IN M/M. OTHERWISE STATED
IMPORTANT DIMENSIONS MARKED THUS Ⓞ
INFORMATION MARKED THUS † TO BE MARKED ON

DT.- 26-12-2004 SCALE- 1:1

	DR- P.C.SINGH	MATL.	TREAT.
	TR-	AS ABOVE	AS ABOVE
	CH- <i>Pooni</i>	SHEETS- 1	SHT. NO.- 1
DA. No 27/2011 DT-30/9/11	APPROVED	DRAWING NO.	
AMENDMENTS	<i>JWM/D.O.</i>	MCT- 2213/1	
OFD/DO/002			