

MACHINE TOOL PROTOTYPE FACTORY, AMBARNATH


M.P.F. AMBARNATH	PART LIST : 125mm SEMI CMB. CRTDG. CASE		ORDER NO.	SHT. NO. 37
	GROUP : WINDING M/C.	ASSY. DRG. NO. VMT. SK. 119. 13300 - 42		
SUB GROUP : PULLER ASSY.				
PART NO.	NO. OFF	DESCRIPTION	MATERIAL	REMARKS
VMT.SK.119.				
13301 - 12	1	FORK	C - 40	WELDED TOGETHER
13302 - 12	1	PLATE	C - 40	

APPROVED

 10/10

MACHINE TOOL PROTOTYPE FACTORY, AMBARNATH

PART NO.	NO. OFF	DESCRIPTION	MATERIAL	REMARKS
VMT.SK.119.				
13401 - 12	1	PLATE	C - 40	— WELDED TOGETHER
13402 - 12	1	SLEEVE	C - 40	

APPROVED

 10/10

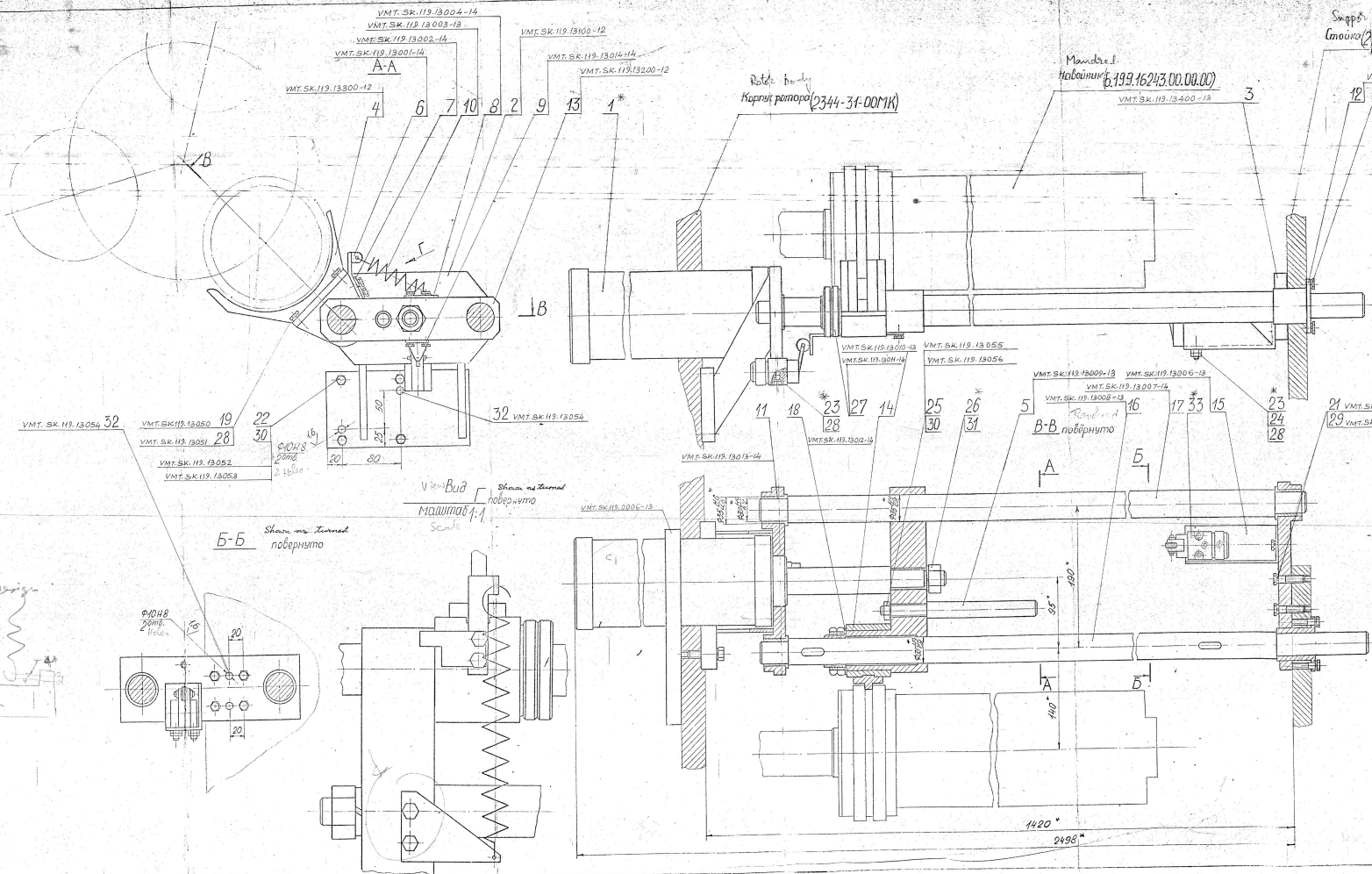
MACHINE TOOL, PROTOTYPE FACTORY, AMBARNATH

M.P.F. AMBARNATH	PART LIST : 125mm SCCC WINDING M/C.		ORDER NO.	SHT. NO. 89
	GROUP :	ASSY. DRG. NO.		
SUB GROUP :		VMT.SK.119.13600-42		
PART NO.	NO OFF	DESCRIPTION	MATERIAL	REMARKS
VMT.SK.119. 13601-12	1	FORK	C-40	} WELDED TOGETHER
13602-12	1	PLATE	C-40	

APPROVED
[Signature]
 15/11/15

CHD. BY NATH A K SIG.
 DATE

2344-05-00MK6



Ротат. болт
Корпус ролика (2344-31-00MK)

Монтаж.
Навышка
6.199.16243.00.00.00

Скреп.
Гайка (2344-09-00MK)

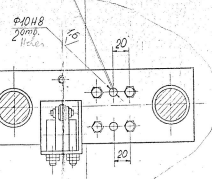
VMT.SK.119.13005-14
20 VMT.SK.119.13050
28 VMT.SK.119.13051

VMT.SK.119.13054 32
VMT.SK.119.13050 19
VMT.SK.119.13051 28
VMT.SK.119.13052 22
VMT.SK.119.13053 30
VMT.SK.119.13054 32
VMT.SK.119.13054 32

Б-Б Шарик на торец повернуто

Шарик на торец повернуто
МОНТАЖ 1-1
Scale

Alt Design



21 VMT.SK.119.13050
29 VMT.SK.119.13051
Размеры для справок.
2 Неказанные пред откл. размеров: валов-144
остальных - 2

* MENTIONED IN PNEUMATIC CIRCUIT DRG.

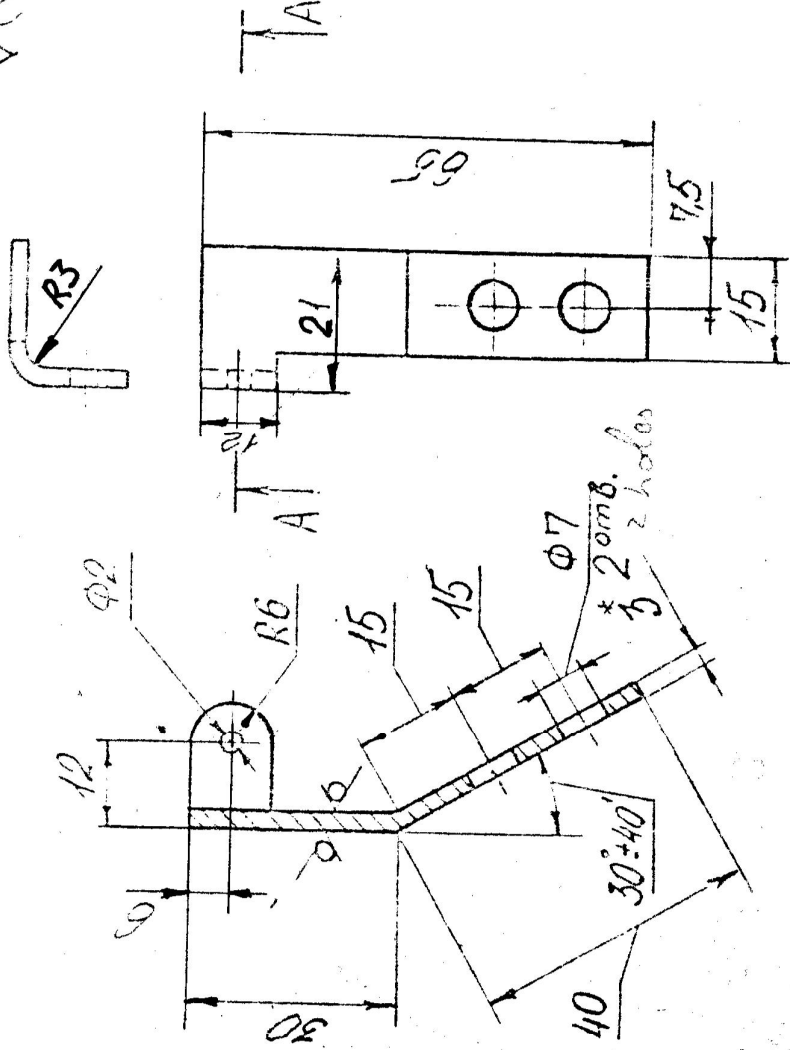
1st ANGLE PROJECTION

125mm SCCC WINDING M/C DOLLER ASSY.		AUTHENTICATED BY		43	
DRG. NO. VMTSK.119.13000-10		SUPPORTED BY		Book No. 348	
2344-05-00MK6		4381 СВММ		1/2	
PULLER Assy. drawing		CYLINDER ET.		1/2	
9/55		9/55		9/55	

2344-05-02MK

A-A

12.5



* Размер для справок.

2. Пред. откл. размеров: отв. - H14, валов - h14, остальных ± IT14.

* Dimensions are for reference.

2. Tolerances of dimensions for: holes - H14, shafts - h14, Remaining - ± IT14.

VMT-SK-119-13001-14
FLAG INDICATOR
PULLER ASSY
125 MM S.C.C. WINDING W/C, MATL: IS: 5517-40C8, NO. OFF - 1

AUTHENTICATED BY: *[Signature]*
SUPPORTED BY:

125 MM S.C.C. WINDING W/C, MATL: IS: 5517-40C8, NO. OFF - 1

2344-05-02MK

Исполн. №: Акулиничев	Материал	Масштаб	Контур
Акулиничев	ФЛАЖОК	0,03	1:1
ИСТ-ANGLE PROJECTION	Flag indicator	Листов	1
sheet	Лист АПРММ3163	А1/335	
	ГОСТ 931-78		

ФОРМУЛ А4

Упр. № 1001, 1001 и 1001
Взам. инв. № 1001
Инв. № 1001
Лист № 1001