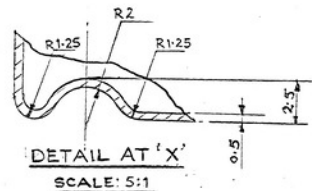


SECTION 'AA'

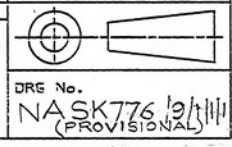


DETAIL AT 'X'
SCALE: 5:1

MATL SPECN: IS: 737-86, 19500. 0 - CONDITION
 PROTECTIVE FINISH: ANODIZING TO SPECN. IS: 1869 Gde. AC-15
 (NATURAL COLOUR)

			SCALE:	DIMENSIONS ARE IN mm	TOL	DS CAT No.	ASSY DRG No. NASK 776/246
			DGN	DRN <i>AK</i>	TCD	COMP <i>AK</i>	CHD <i>AK</i>
29-01-04	DRG. AMENDED	ARD 2342	PASSED <i>AK</i>	APPROVED <i>AK</i>			
29-5-01	DRG. AMENDED	ARD 2326			GEN SPEC: NA SPEC A-31 B		DTE GEN OF NAVAL
15-11-2K	APPROVED				MATL: - ALUMINIUM	STORE SPEC No.	ARMAMENT INSPECTION
R No.	DATE / ZONE	BRIEF RECORD	AUTHORITY INITIALS	PROTECTIVE FINISH - SEE DRG	STORE REF No.		NHQ NEW DELHI

BODY
(CONTAINER)

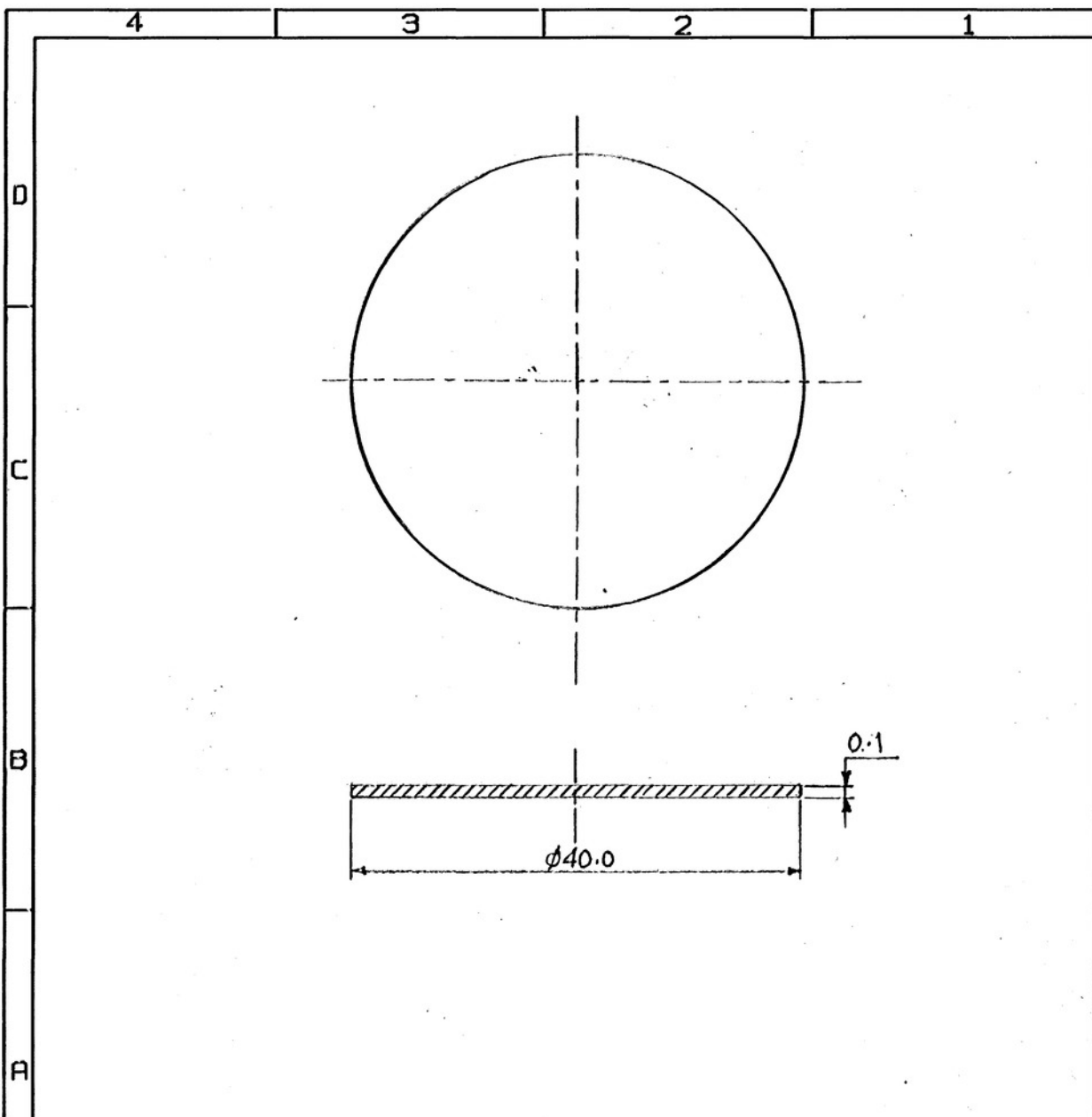


TRIM ON THIS LINE WHEN SUPPLIED TO TRADE

USED ON: 140 mm ROTARY ROCKET.

BASED ON NAI(Y) 5501/6/11/11 (PROV)
 DT. No 23-9-2K

FRIM ON THIS LINE WHEN SUPPLY TO TRADE

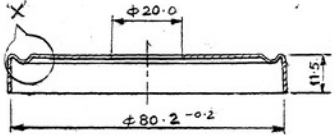
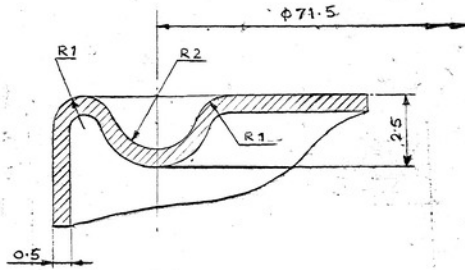
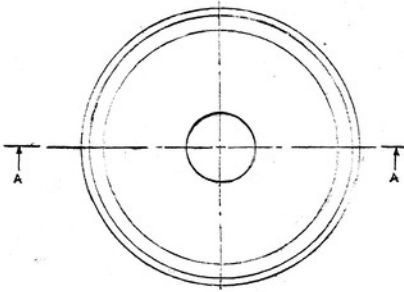


	29.5.01		DRG AMENDED	ARD 2326	<i>Ch</i>
	15-11-2000		APPROVED		
R No.	DATE	ZONE	BRIEF RECORD	AUTHORITY	INITIALS
SCALE: 1-2:1	TOL:	DIMENSIONS ARE IN mm		ASSY DRG No.	
DGN	DRN <i>8822</i>	TCD	COMP <i>SP</i>	CHD <i>re</i>	CO
PASSED <i>Y</i>	TO (D)	APPD <i>Y</i>	IGNAI	DTE GEN OF NAVAL ARMAMENT INSPECTION	
MATL: ALUMINIUM			GEN SPEC NA SPEC A-31B		
MATL SPEC: IS 737-86, 19500			STORE SPEC No.		
O-CONDITION			STORE REF No.		
PROTECTIVE FINISH			GAUGE SCH No.		
			D S CAT No.		
<u>DISC</u>					
				DRG No. NASK 776/9/1/1/2 (PROVISIONAL)	

A-4

USED ON: 140mm ROTARY ROCKET

BASED ON: NAI(V) 5501/6/1/1/2(P)
DT. 23-9-2K



DETAIL AT 'X'
SCALE 10:1

MATL SPECN: 1S:737-86, 19500 O-CONDITION
PROTECTIVE FINISH: ANODIZING TO SPECN IS: 1868 Gds: AC-15 (NATURAL COLOUR)

SCALE: 1:1		DIMENSIONS ARE IN mm		TOL	DS CAT No.	ASSY DRG No. NASK
DGN	DRN	DRN	TCD	COMP	ICHD	ASSY DRG LIST No.
29-01-04	DRG. AMENDED	ARD 2342	DRN	CTO (D)	APPROVED	DTE GEN OF NAVAL ARMAMENT INSPECTION NHQ NEW DELHI
29-5-01	DRG. AMENDED	ARD 2326	DRN	CTO (D)	APPROVED	
15-11-2000	APPROVED					
R No	DATE	ZONE	BRIEF RECORD	AUTHORITY INITIALS	PROTECTIVE FINISH: SEE DRG.	GAUGE SCH No.

BODY
(LID)

DRG No.
NASK.776/9/1/2H
(PROVISIONAL)

TRIM ON THIS LINE WHEN SUPPLIED TO TRADE

USED ON: 140mm ROTARY ROCKET

BASED ON: NAI (CV) 5501/6/1/2/1 (PROV)
DT. 23-9-2K