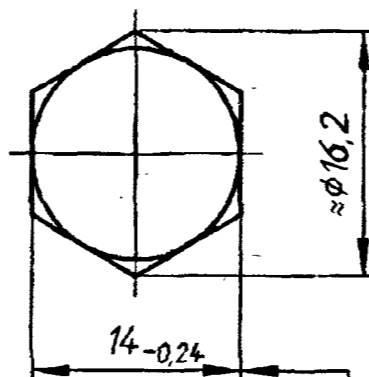
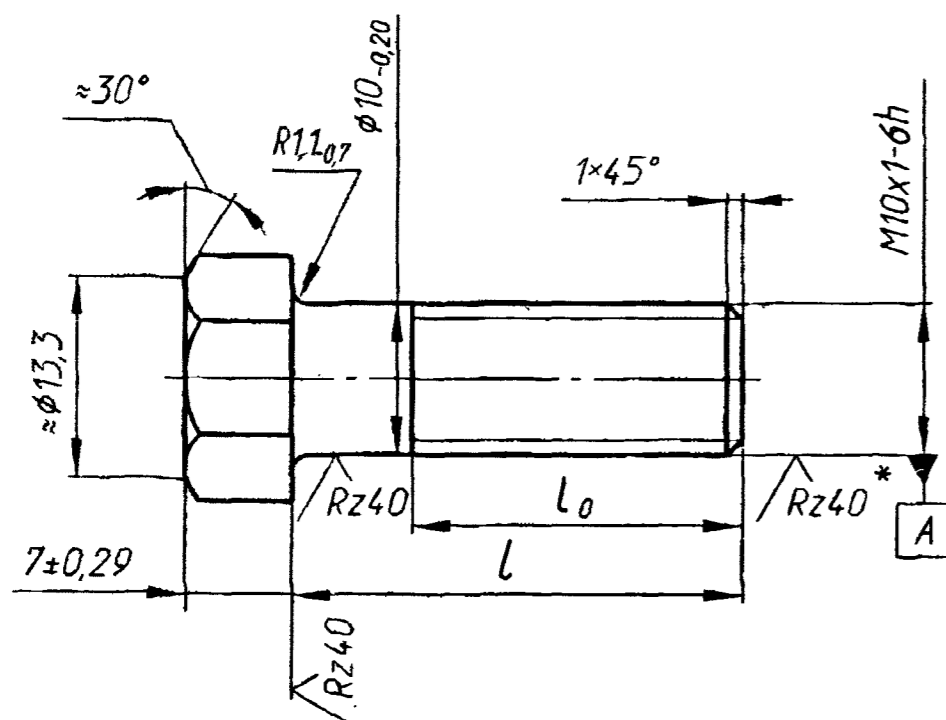


DRG. INDIANISED BASED ON RUSSIAN ORIGINAL ISSUE - 8  
COMMON TO T-72. & BLT

DRAWING NUMBER  
**520.01.006**

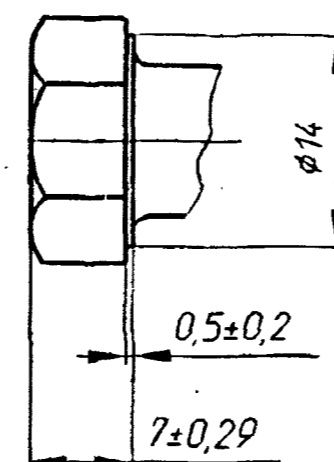
SHEET No. 1 OF 1

Rz80/√(√)



≡ T/2 0,30 (M) A (M)

Варуаи  
ALTERNATE



1. Alternate material is Steel 40X TY 3-1053-86, except bolt 520.01.006-02 and 520.01.006-05.
2. When making thread by rolling, unthreaded part of rod may be made along the pitch diameter of thread and chamfer at the end of rod is not to be made.
3. Coating Zn 6 Chromotizing.
4. \* Surface finish is to be ensured by tool.
5. Other requirements should be as per GOST 1759.0-87 and 520.TY1.

DESIGNATION Обозначение	L, MM		L <sub>0</sub> , MM		WEIGHT kg Масса, кг	USED ON
	NOMINAL НОМИН	LIMIT DEVIATION ОТКЛ.	NOMINAL НОМИН	LIMIT DEVIATION ОТКЛ.		
520.01.006	14		14		0,0147	
-01	16	±0,35	16		0,017	PV572.0718.0002 (8C)
-02	20		20		0,0193	188 36 001С5 СБ (8A) (8B)
-03	25	±0,40	25		0,0221	
-04	28		28		0,0238	PV572.0711.0093 (8C)
-05	55	±0,60	26	+25	0,0405	PV572.0711.0093 (8C)

PILOT SAMPLE SHOULD BE APPROVED BY A H S P BEFORE BULK PRODUCTION.

EST. WT. (kg) TO BE STAMPED OR MARKED WHERE INDICATED THUS # ( LETTERS)  
SEE TABLE

ALL SHARP EDGES AND CORNERS TO BE REMOVED UNLESS OTHERWISE STATED MACHINED CORNERS TO HAVE R OUT-SIDE R INSIDE EQUIVALENT CHAMFERS ARE PERMISSIBLE.

- (8E) EQLT.MATL: Steel 40C8 to IS:1570/79-2004 Pt-2. (OR)
- (8D) EQLT.MATL: Grade:080M40 to BS:970/83, Pt-1.

DRN	J. D. Sank	MATERIAL:-	USED ON:-
CHD	J. D. Sank	STEEL 40 GOST 1050-88	SEE TABLE
APPD	Changhel	CONTROLLERATE OF QUALITY ASSURANCE (HEAVY VEHICLES) AVADI	
DATE	17-02-04	SCALE:-	
DIMENSIONS IN mm		TITLE:-	
8E	20.02.17	83201/EQ.MATL/IND-I/COE-66 Dt: 8.9.16	TOLERANCE ON DIMNS UNLESS OTHERWISE STATED IS : 2102 - 69
8D	08.8.16	83201/TECH.GEN/ALT.MATL/IND-I Dt: 11.5.16	
8C	26.11.12	55150/CQA(HV)/DB/BLT T-72 Dt: 19.07.11	ALL THREADS TO CONFORM TO
8B	21.12.09	N OF A No. CQA(HV)/T-90/36/002	
8A	1.6.05	NOFA No. CQA(HV)/T90/36/001	D. S CAT NUMBER
ISSUE	DATE	NATURE OF AMENDMENTS	DRAWING NUMBER <b>520.01.006</b>

356

SUPPLY CODE  
U-01-1-1  
D 90033

F - 33  
6

SIZE A4 x 3

THE  
MOUNTAIN  
VIEW  
HOTEL

THE  
MOUNTAIN  
VIEW  
HOTEL

THE  
MOUNTAIN  
VIEW  
HOTEL

THE  
MOUNTAIN  
VIEW  
HOTEL

THE  
MOUNTAIN  
VIEW  
HOTEL

THE  
MOUNTAIN  
VIEW  
HOTEL

THE  
MOUNTAIN  
VIEW  
HOTEL