

02L000-9001 ON
D.S. CAT. 1005-000720

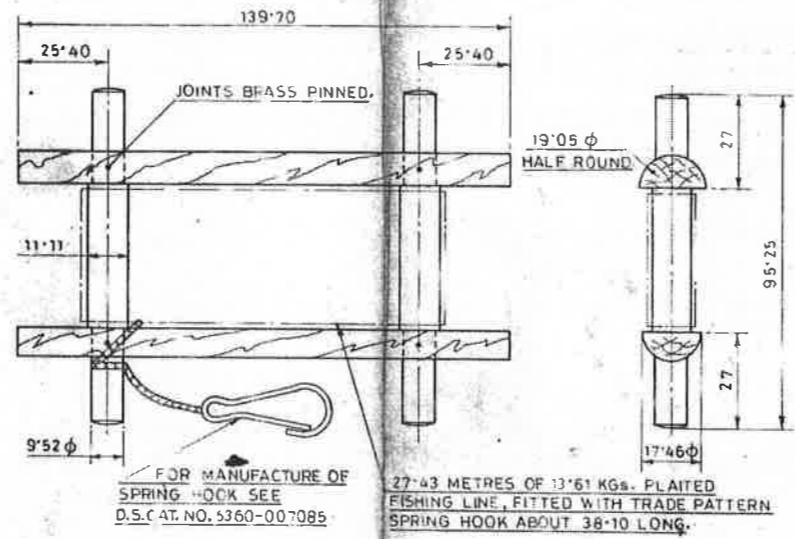
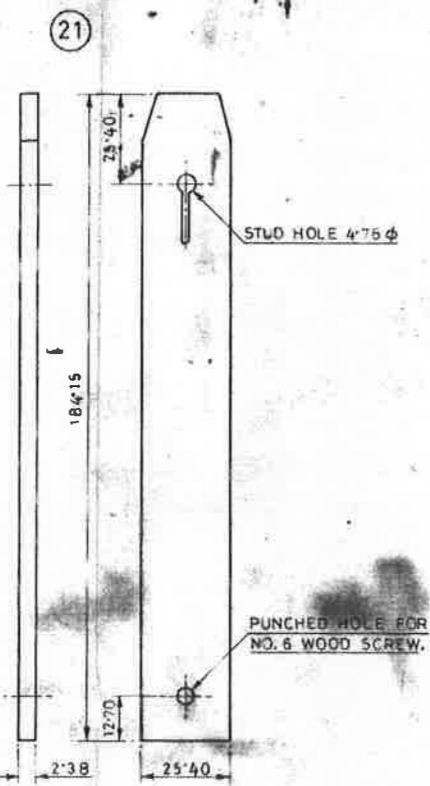
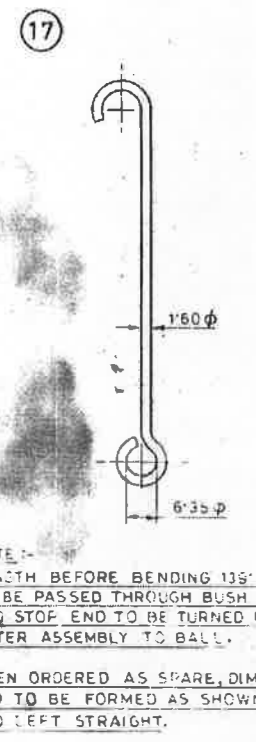
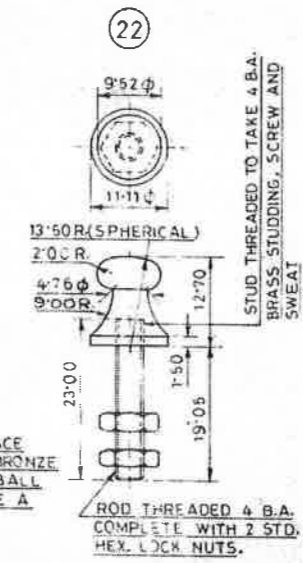
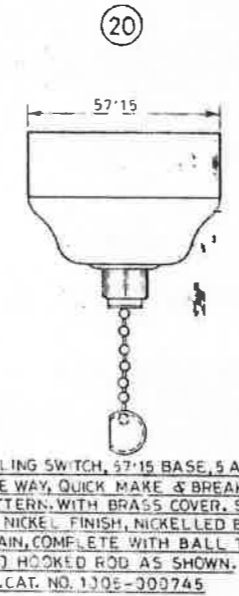
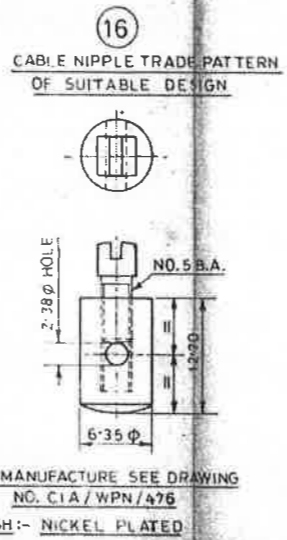
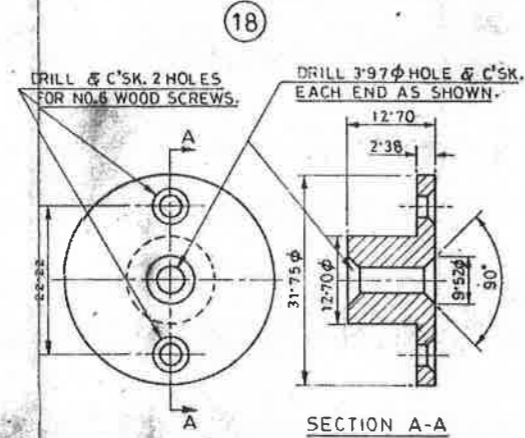
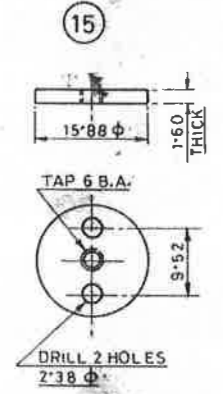
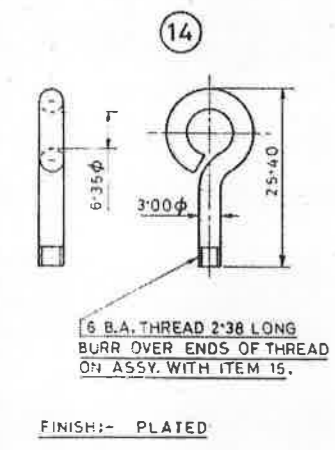
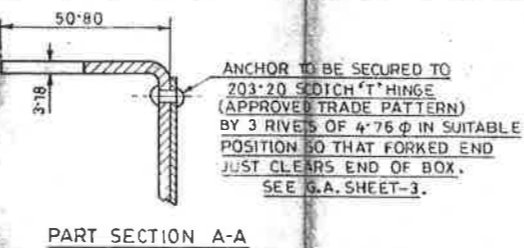
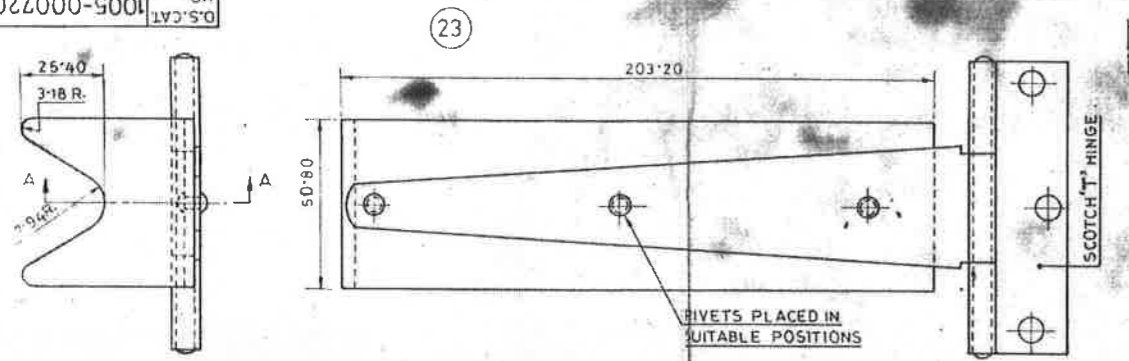
DRAWING CONVENTIONS CONFORM TO 'J56 0104'
DIMNS. ARE IN mm GEN. TOL.

WHERE TOLERANCES ARE NOT SHOWN, DIMENSIONS IN WHOLE NUMBER OR WITH ONE DECIMAL PLACE ± 1.3 mm.
DIMENSIONS WITH TWO DECIMAL PLACES ± 0.4 mm.
DIMENSIONS WITH THREE DECIMAL PLACES ± 0.13 mm.
TOLERANCE ON HOLES ± 0.13 mm. EXCEPT WHERE OTHERWISE STATED.
SHARP CORNERS TO BE REMOVED.

SCHEDULE OF PARTS

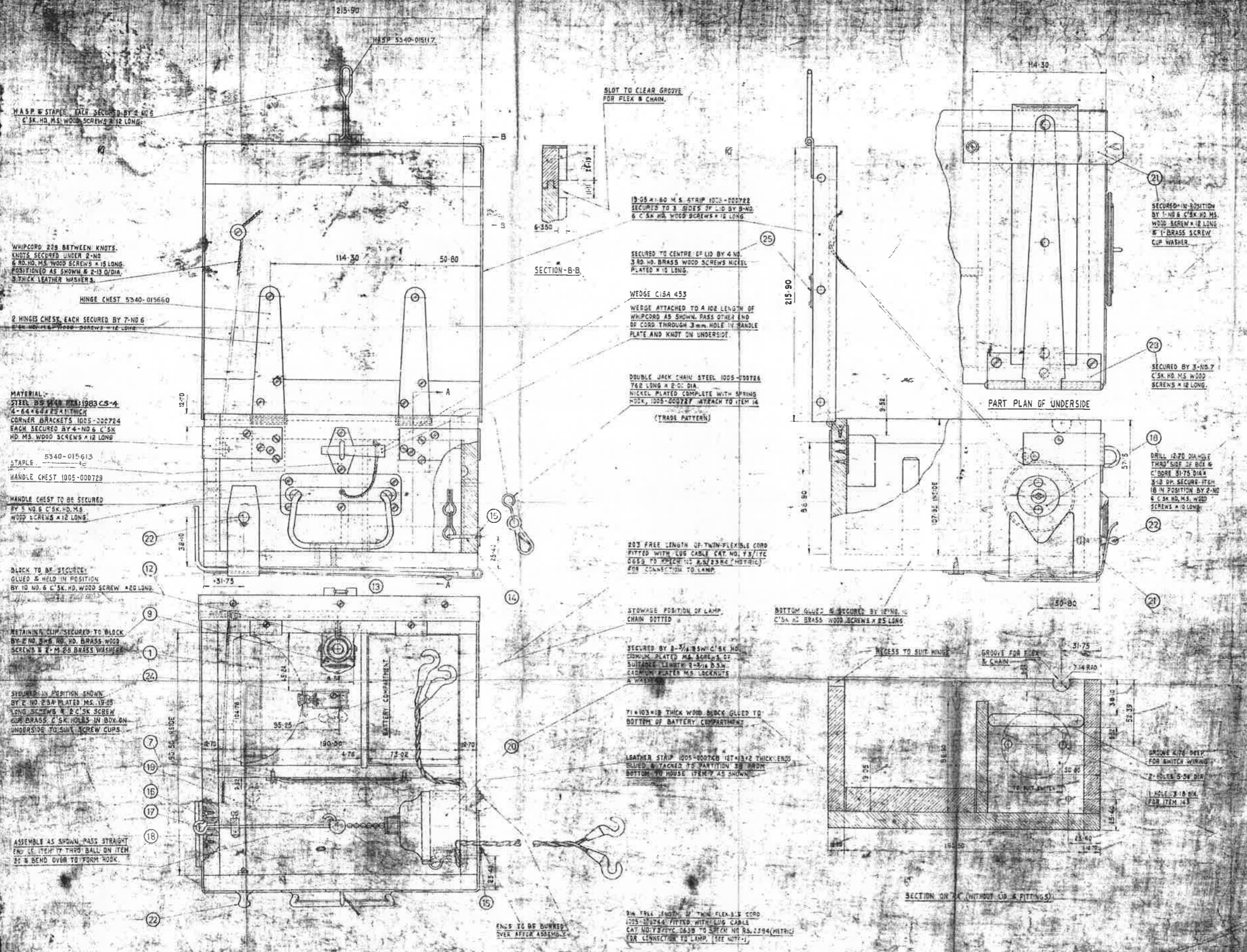
ITEM NO.	DESCRIPTION	NO. OFF	D.S. CAT. NO.	MATERIAL
14	EYE	1	15280 1 2	HARD OR. BS 1052 HARD DRAWN.
15	NUT	1	BS 2870 CZ 100	HARD
16	STOP	1	BS 2874 CZ 121	
17	ROD SWITCH	1	5340-015613	BS 1008 B RANGE 1.
18	BUSH	1	BS 2874 CZ 121	
19	LINE WINDER & LINE	1	1005-000751	HARDWOOD
	LINE WINDER		1005-000753	
20	SWITCH	1	1005-000750	APPD. TRADE PATTERN
21	ANCHOR STRAP	1	1005-000747	BUFFALO CURRIED OR COW CURRIED.
22	STUD	1	1005-000749	FOR RODS-STEEL BS 970 EN 3B FOR LOCK NUTS-STEEL BS 970 EN 3B
23	ANCHOR (TRADE PATTERN)	1	0040-000519	M.S.
24	LAMP BRACKET	1	1005-000725	STEEL BS 970 EN 3B

TO BE USED WITH POST, AIMING, MG, MK.1 OR MK.3 FOR NIGHT FIRING OF MGS, POST AIMING B.C. 3-IN. AND 4-2-IN. MORTARS MK.1 FOR NIGHT FIRING OF M.L. 3-IN. AND S.B. 4-2-IN. MORTARS AND POST AIMING, B.C. MK.1, IN CONJUNCTION WITH BRACKET, LAMP AIMING POST, MK.1 FOR NIGHT FIRING OF MORTARS, 120 mm, AM 50 MORTARS, 120 mm. BRANDT MLE 1950 A, MORTAR, 120 mm, TEMPELLA TYPE A; MORTAR, 81 mm, M1 ON MOUNT MA



DRN.	CHD.	TRD.	COMP.	APPROVED.	DT. 29. 9. 96	ASST. COA (SA), ICHAPUR
16-12-96	13618-SA	PROFORMA CHANGED, CONVENTION NOTE ADDED, NEG. RE-TRACED & DRG. RE-SEALED.	APPROVED.	NEG. RE-TRACED.	DT. 16-12-96	ASSY.
DATE AUTHY.	BRIEF RECORD.	ZONE	COPY.	COPY.	MATERIAL:-	AS STATED.
SEALED:-	D.C.10954-SA, DT. 30. 7. 71.	ZONE	1/C; D.O.	G.O.	HT/HARDNESS.	DGNR'S REF. TRES/M/5075/111/2
NOMENCLATURE LAMPS, AIMING, MG., MK. 3						PROTECTIVE FINISH.
						PART NO.
						ORG. NO.
						D.S. CAT. 1005-000720
						NO. 3 SHTS. 1 SH. NO. 2

METRIC.



WHERE DIMENSIONS ARE NOT SHOWN THE DIMENSION IS WITH ONE DECIMAL PLACE UNLESS OTHERWISE STATED.

SCREW LIST

SIZE	TYPE	LENGTH	MAT.	QTY.	REMARKS
NO. 7	C'SK. HD. WOOD SCREW	1 1/2"	M.S.	2	FOR HINGE
NO. 6	C'SK. HD. WOOD SCREW	1 1/2"	M.S.	4	
NO. 5	C'SK. HD. WOOD SCREW	1 1/2"	M.S.	2	
NO. 4	RD. HD. WOOD SCREW	1 1/2"	M.S.	2	
NO. 3	RD. HD. WOOD SCREW	1 1/2"	M.S.	2	
NO. 2	RD. HD. WOOD SCREW	1 1/2"	M.S.	2	
NO. 1	RD. HD. WOOD SCREW	1 1/2"	M.S.	2	

NUTS

NO. 4	LOCK NUT	M.S.	2	CADMIUM PLATED
NO. 3	LOCK NUT	M.S.	2	

WASHERS

NO. 1	BRASS	2	
NO. 2	BRASS	2	
NO. 3	BRASS	2	

NOTE:
WOOD SCREWS SHOULD BE USED AS SHOWN.

NOTE:
BRASS PLATED CHAIN AND WOOD SCREWS SHOULD BE USED AS SHOWN. BRASS PLATED CHAIN SHOULD BE USED AS SHOWN. BRASS PLATED CHAIN SHOULD BE USED AS SHOWN. BRASS PLATED CHAIN SHOULD BE USED AS SHOWN.

FINISH:
WOOD WORK SHALL BE FINISHED WITH AN INTERIOR EXTERIOR VENEER WITH METAL WORK AS SHOWN. METAL WORK SHALL BE FINISHED WITH AN INTERIOR EXTERIOR VENEER WITH METAL WORK AS SHOWN.

LAMPS, BATTERIES, M.G. MK.
LAMP SHALL BE M.G. MK. BATTERY SHALL BE M.G. MK. M.G. MK. BATTERY SHALL BE M.G. MK. M.G. MK. BATTERY SHALL BE M.G. MK.

28 ARRANGEMENT & DETAILS OF CASE DS CAT NO. 1095-000728