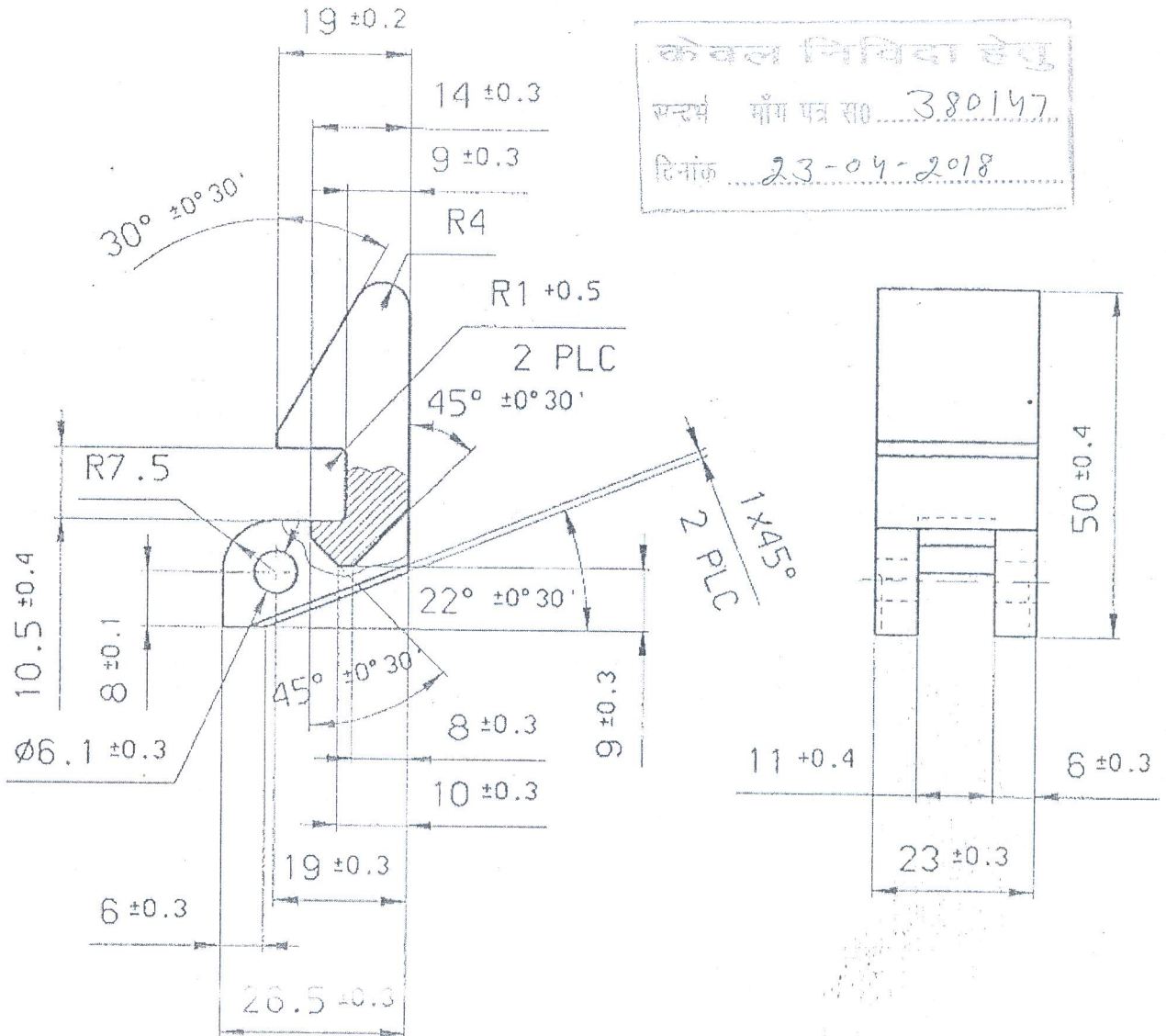


OFB

COMPANY PROPRIETARY INFORMATION
USE OR DISCLOSURE IN WHOLE OR
IN PART SHALL NOT BE MADE
WITHOUT THE WRITTEN PERMISSION
OF OFB



6.3/
▽

No. 2111
Date 01/05/07

DATE: 01.01.2007	ALTERNATE/INDIGENOUS MATERIAL SPECN: IS: 10343-1999, 15a with Chem. Comp. C%=0.22-0.29, Si%=0.40(max), Mn%=0.60-0.90, S%=0.035(max), P%=0.035(max), Cr%=0.90-1.20, Mo%=0.15-0.30 (REF: CQA(W) JABALPUR L.No. 3B2402/CQAW/011 Dt. 12 JULY 2005)	140
		JWM/CDD

MACHINING INSTRUCTIONS

UNSPECIFIED TOLERANCES FOR DIMENSIONS AND ANGLES DIMENSIONS

ANGLES

HEAT TREATMENT

30-35 HRC

FINISH Phosphate coating acc' to 000-P-16232 TYPE M CL. 2

MATERIAL

175-295-C

SHARANG 130/155MM_UG_OFB_SLB

PART NO.

UPDATED

Sh:
of:

11

A4

SCALE

SIZE

ASSEMBLY 176-8001

PREP'D	CHK'D
GHO	JWM/DO
APPROVED	
DO/DO	DIR/ODG
ORDNANCE DEVELOPMENT CENTRE, OFS, KANPUR	

PART NO.

175-295

CATCHED

DRAWING SEALED W/DO CQA(W)

Dt. 6-6-2005

CQA (W), JABALPUR

