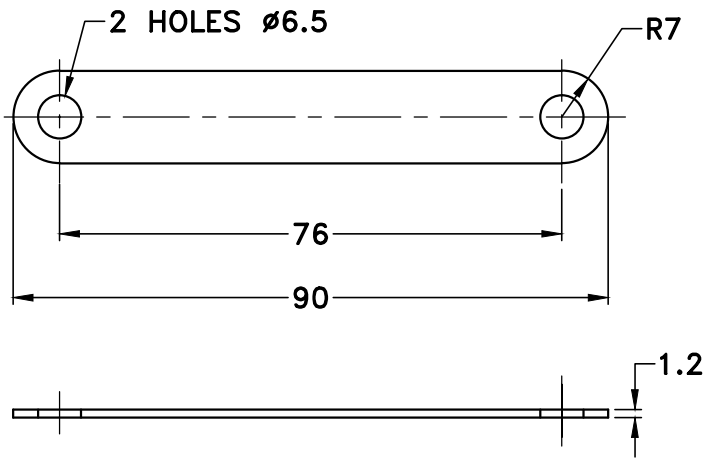


6745-86-5035

LINEAR DIMENSIONS	0.5-3	3-6	6-30	30-120	120-315	1000-2000	2000-4000	4000-8000
DEVIATIONS IF UNSPECIFIED								
ANGULAR DIMENSIONS								
DEVIATIONS IF UNSPECIFIED								

DIMENSION	LIMITS



PROTECTIVE FINISH  
ZINC PLATING TO IS : 1573, Fe12

						(BK)	APPROVED FOR BULK PRODUCTION
						<i>S. Savithri</i> 09.08.12	
ROUGHNESS SYMBOL						ISSUE	AMENDMENTS
ROUGHNESS VALUE	25-50	6.3-25	0.8-6.3	0.1-0.8	< 0.1		
MATL:- COLD ROLLED CARBON STEEL STRIP Grade-D QUARTER HARD TO IS :513						Est.Wt:-	
DRN. <i>H.Yuvaraj</i> H.Yuvaraj			DIMENSIONS IN mm.			STAMP PART No. & MANUFACTURER'S NAME & YEAR	
CHD. <i>B.Mohan</i> B.Mohan			DRG. NOT TO BE SCALED			REMOVE ALL BURRS	
PASSED. <i>S.Arun sundar</i> S.Arun sundar			 SCALE:1:1			USED ON	
APPROVED. <i>S.Savithri</i> S.Savithri						DATE:05.08.95	
TITLE <b>CLAMP</b>						DRG. NO. <b>6745-86-5035</b>	

COMBAT VEHICLES RESEARCH & DEVELOPMENT ESTABLISHMENT