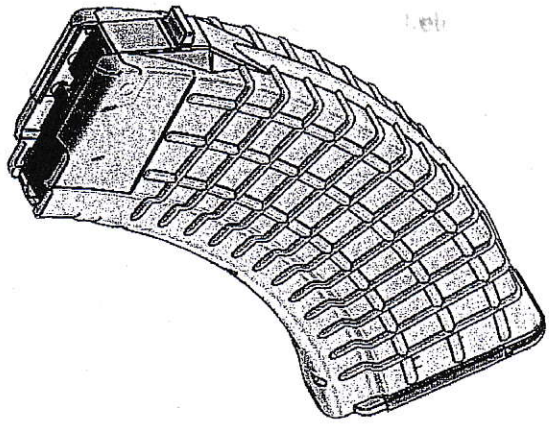


SECTION X-X



UNCONTROLLED COPY  
 CERTIFIED CORRECT COPY OF APPROVED  
 DRAWINGS AT THIS DATE: 21/02/22  
 DESIGN & DRAWING OFFICE  
 ORDNANCE FACTORY, TIRUCHIRAPPALLI-620 016

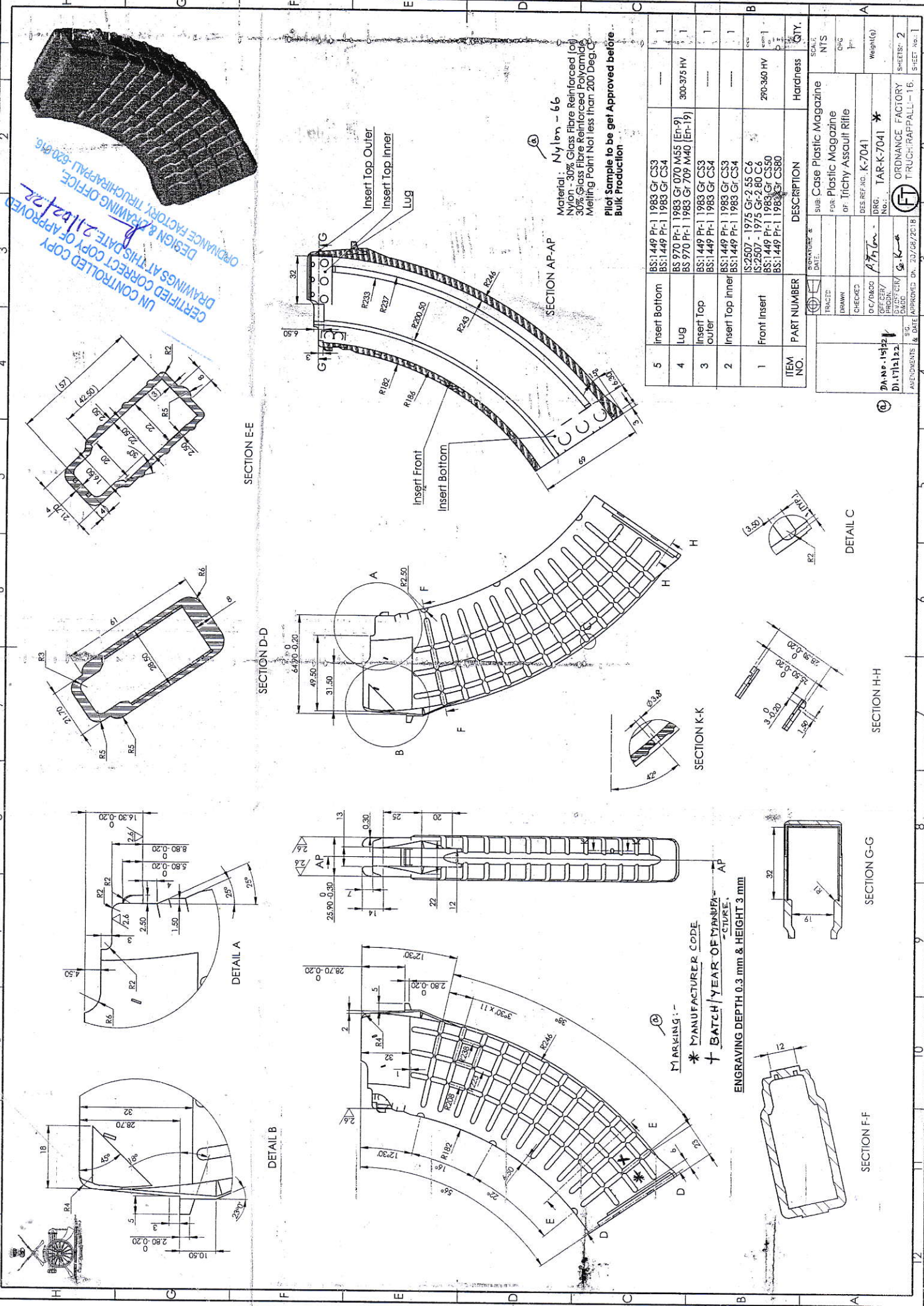
ITEM NO.	PART NUMBER	QTY.
5	K-7045 Plate Bottom	1
4	K-7044 Support Bottom	1
3	K-7043 Spring Magazine	1
2	K-7042 Platform	1
1	K-7041 Case Magazine	1

SIGNATURE & DATE.	SUB: <b>Plastic Magazine Assy</b>		SCALE
	FOR: Plastic Magazine		NTS
TRACED	OF: TRICHY ASSAULT RIFLE		QPG
DRAWN	DES. REF. NO. K-7040		1
CHECKED	DRG. No.: TAR-K-7040 *		Weight(g)
OIC/D&DO			
OFFICER/PRODN.			
DIV. OFFICER/D&DO			
APPROVED ON. 20/08/2018	ORDNANCE FACTORY		SHEETS: 1
	TIRUCHIRAPPALLI-16.		SHEET No.: 1

\* DA: No. 15/22  
 DT: 17/2/22  
 AMENDMENTS & DATE





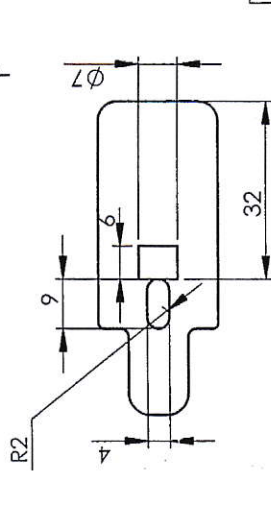
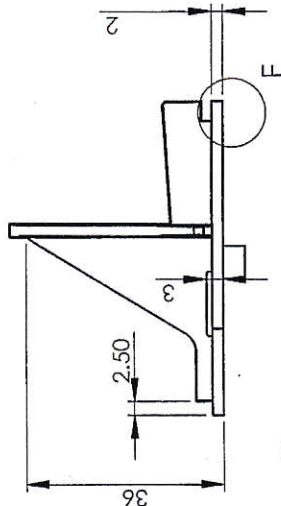
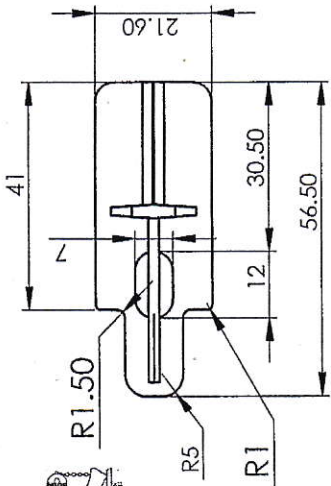
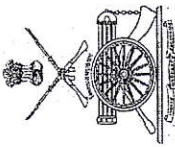








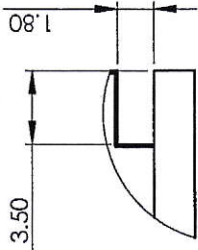




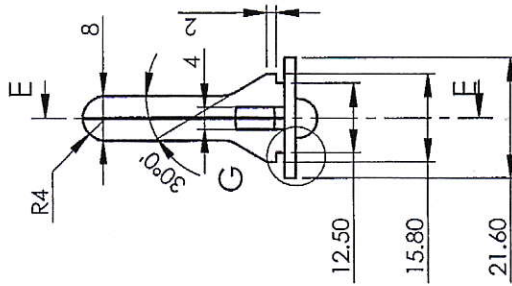
Material: Nylon-66  
 Nylon - 30% Glass Fibre Reinforced (or)  
 30% Glass Fibre Reinforced Polyamide  
 Melting Point Not less than 200 Deg.C

Finish:  
 Matt Finish Black

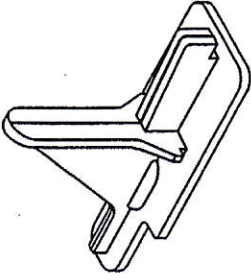
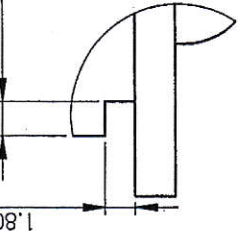
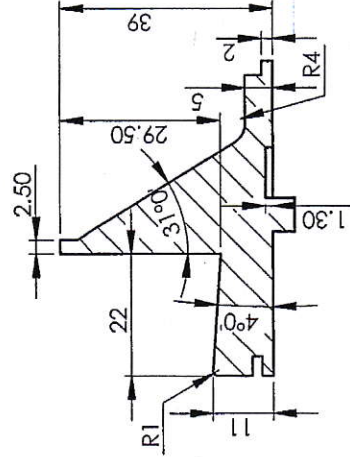
Untolerated Dimens. as per IS:2102 (MED)



DETAIL F



DETAIL G



UN CONTROLLED COPY  
 CERTIFIED CORRECT COPY OF APPROVED  
 DRAWINGS AT THIS DATE: 21/02/22  
 DESIGN & DRAWING OFFICE  
 ORDNANCE FACTORY, TIRUCHIRAPPALI-630 016.

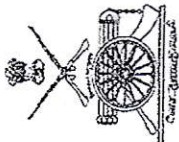
SECTION E-E

Pilot Sample to be get approved before bulk production

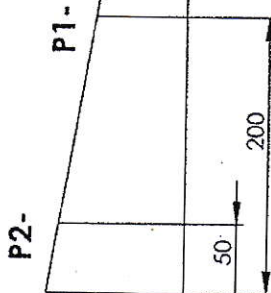
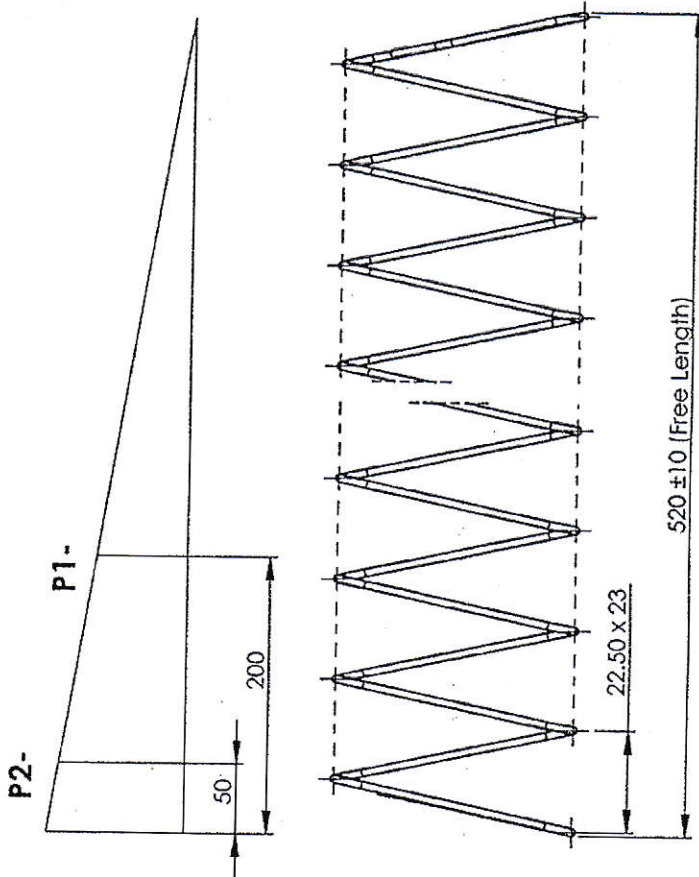
TRACED DRAWN CHECKED OIC/D&DO OFFICER/ PRODN. DIV.OFFICER/ D&DO	SIGNATURE & DATE:	SCALE
		NTS
		QPG
		1
		Weight(g)
		SHEETS: 1
		SHEET No.: 1

SUB: Retainer Support Bottom
FOR: Plastic Magazine
OF: TRICHY ASSAULT RIFLE
DES. REF. NO. K-7044
DRG. No.: TAR-K-7044 *
ORDNANCE FACTORY TIRUCHIRAPPALI-16.

DA. No. 15/22	AMENDMENTS & DATE
Dr. 17/02/22	
DA. No. 45/18	SIG. & DATE
Sl. No. 2	
Dr. 21/9/18	



UN CONTROLLED COPY  
 CERTIFIED CORRECT COPY OF APPROVED  
 DRAWINGS AT THIS DATE... 11/12/21...  
 DESIGN & DRAWING OFFICE,  
 ORDNANCE FACTORY, TIRUCHIRAPPALI - 620 016.



Material : Steel Wire dia 1.6mm  
 Hardened and Tempered  
 IS: 4454 Pt.1 2001- Grade-DH  
 Protective Finish :  
 Phosphating to Specn.  
 JSS: 0465-01-1994 Class II Oil Finish  
 Untolerated Dimens. as per IS:2102 (MED)

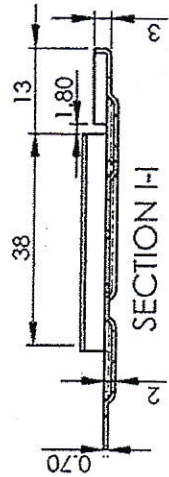
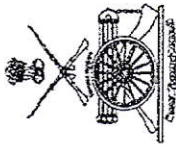
**Pilot Sample to be get approved before bulk production**

SIGNATURE & DATE.		SCALE	
TRACED		NTS	
DRAWN		QPG	
CHECKED		1	
OIC/D&DO	<i>P. Taylor</i>	Weight(g)	
OFFICER/PRDN.			
DIV.OFFICER/D&DO	<i>Se. K...</i>		
APPROVED ON. 20/08/2018			

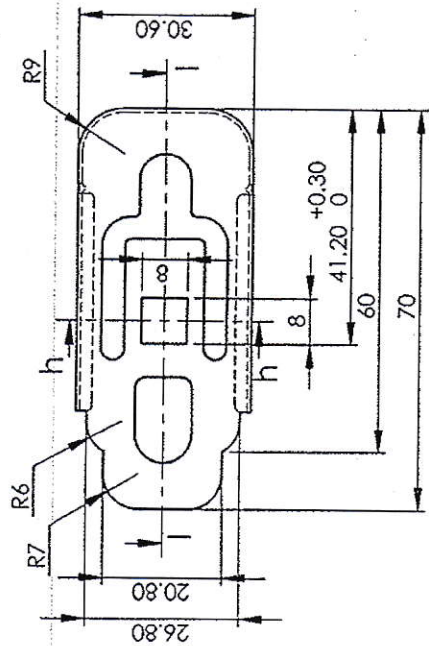
SUB: <b>Spring Magazine</b>		SHEETS: 1	
FOR: Plastic Magazine		SHEET No.: 1	
OF: TRICHY ASSAULT RIFLE			
DES.REF.NO. K-7043			
DRG. No.: TAR-K-7043			
ORDNANCE FACTORY TIRUCHIRAPPALI-16.			



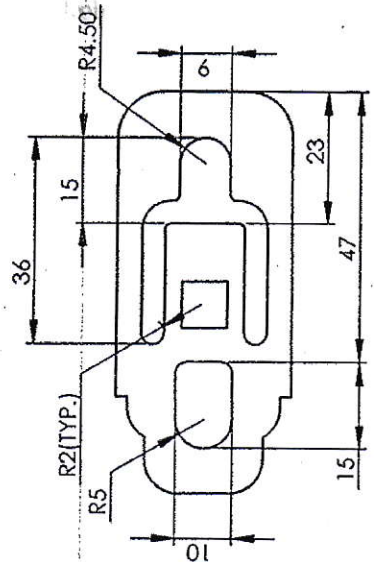
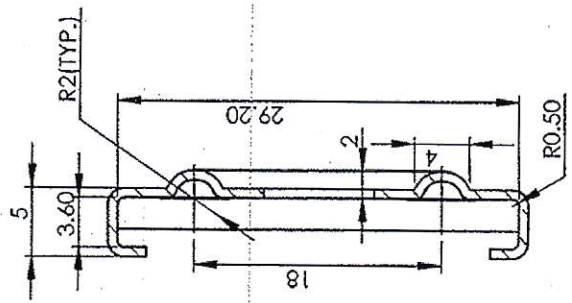




SECTION I-I



SECTION h-h  
Enlarged



Material: Steel Sheet 0.7mm

- IS:2507 - 1975 Gr-2 55 C6
- IS:2507 - 1975 Gr-2 80 C6
- BS:1449 Pr-1 1983 Gr CS50
- BS:1449 Pr-1 1983 Gr CS80

Hardness: 290 - 360 HV

Protective Finish:  
Phosphating to Specn.  
JSS: 0465-01-1994 Class II Oil Finish

Untolerated Dimens. as per IS:2102 (MED)

Pilot Sample to be get approved before bulk production

TRACED DRAWN CHECKED OIC/D&DO OFFICER/PRODN. DIV. OFFICER/D&DO	SIGNATURE & DATE:	SCALE
		QPG
		1
		Weight(g)
		872.66
SUB: <b>Plate Bottom</b>		DES. REF. NO. K-7045
FOR: Plastic Magazine		
OF: TRICHY ASSAULT RIFLE		DRG. No.: TAR-K-7045
		ORDNANCE FACTORY TIRUCHIRAPPALLI-16.
AMENDMENTS		SHEETS: 1
SIC. & DATE		SHEET No.: 1
APPROVED ON. 20/08/2018		

4 UN CONTROLLED COPY  
 CERTIFIED CORRECT COPY OF APPROVED  
 DRAWINGS AT THIS DATE: 11/12/2018  
 DESIGN & DRAWING OFFICE,  
 ORDNANCE FACTORY, TIRUCHIRAPPALLI-620 016.