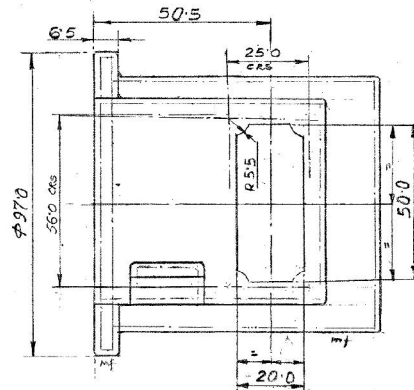
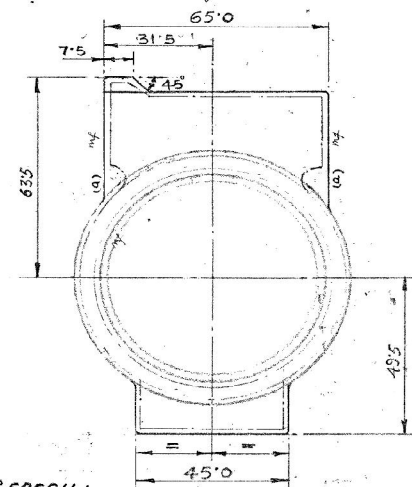
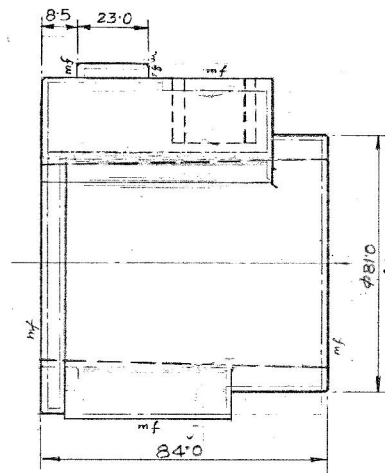
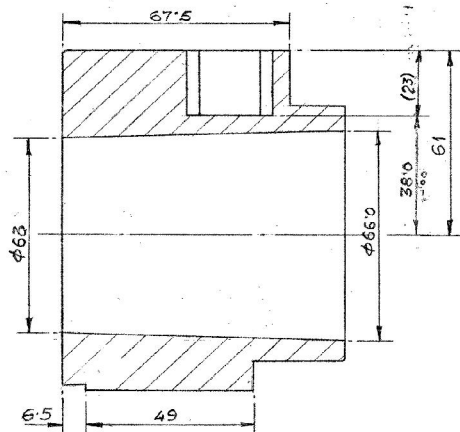


† ODD/C/878/4



NOTE:- MACHINING ALLOWANCES ARE ADDED BUT SHRINKAGE ALLOWANCES ARE NOT INCLUDED IN THE DIMENSIONS. COMPONENT DRAWING SHOWN IN CHAIN DOTTED LINES. SURFACES TO BE MACHINED MARKED THUS 'mf' GENERAL TOLERANCES ± 0.5 UNLESS OTHERWISE STATED.

ODD/C/878/4



MATL. & SPECN.:-
Mg. ALLOY, BS 2975/MAG-3 (Mg Al-10 Zn Mn)
* CASTING TO BE SUPPLIED IN PROTECTIVE COATING "CHROMOTISING CONDITION"

OFD/20/002

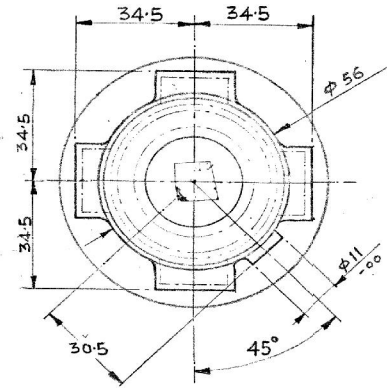
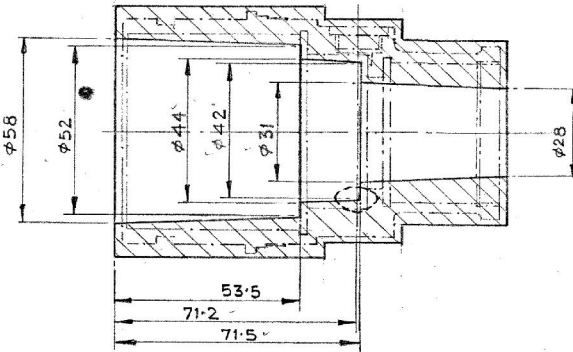
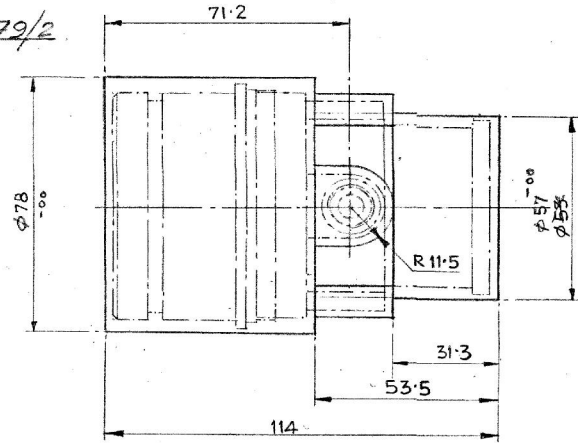
ORD. FY.	DR. 2.072	TR-
D. DUN	CH-	CH-
	APPROVED	
	<i>[Signature]</i>	
	VC DO	

PASSIVE NIGHT SIGHT FOR 84 mm. RCL MK-II
BATTERY, HOUSING
(GRAVITY DIE CASTING)

DES. No.
IRDE-1295/16

	DT-7-3-95	SCALE-
	MATERIAL	TREATMENT
** D.A. 48/14/2004 dt. 25/3/2004	AS ABOVE	-
D.A. 44/197 DT. 16-12-97	SHEETS-1	SHEET - 1
(a) D.A. 37/97 DT. 23.8.97	DRAWING No.:-	
DA. 22/97 DT 15-5-97	ODD/C/878/4	
AMENDMENTS		

† ODD/C/879/2



NOTE -

MACHINING ALLOWANCES ARE ADDED BUT SHRINKAGE ALLOWANCES ARE NOT INCLUDED IN THE DIMENSIONS. COMPONENT DRAWING SHOWN IN CHAIN DOTTED LINES. SURFACES TO BE MACHINED MARKED THUS. GENERAL TOLERANCES ±0.13 UNLESS OTHERWISE STATED.

MATL. & SPECN. -

Mg. ALLOY, B.S: 2970/1372
MAG.-3(Mg.AL-10 Zn Mn)

* CASTING TO BE SUPPLIED IN PROTECTIVE COATING "CHROMOTISING CONDITION."

OFD/D0/002

दिनांक-9-3-95 | पैमाना- 1:1

सामग्री उपचार

उपर दर्शित

शीट नं. 1 शीट नं. 1

* D.A.No 14/2004 DE 25

आ.सं. नं. 18/95 दि.16.6.95

DRAWING No.:-
ODD/C/879/2

— श्री शो धन

आईनैस फैक्टरी

देहरादून

रेखन

जॉच

अनुमोदित

प्र.डी.ओ.

अनुरेखन

जॉच

अनुमोदित

स.क.प्र.।.वो.

पैसिव नाइट साइट फार 84mm आर सी एल मार्क II

हाउसिंग, ग्रेटी कूल

(ग्रेविटी ड्राई कास्टिंग)

ड्राइंग नं. IRDE 1295/29