

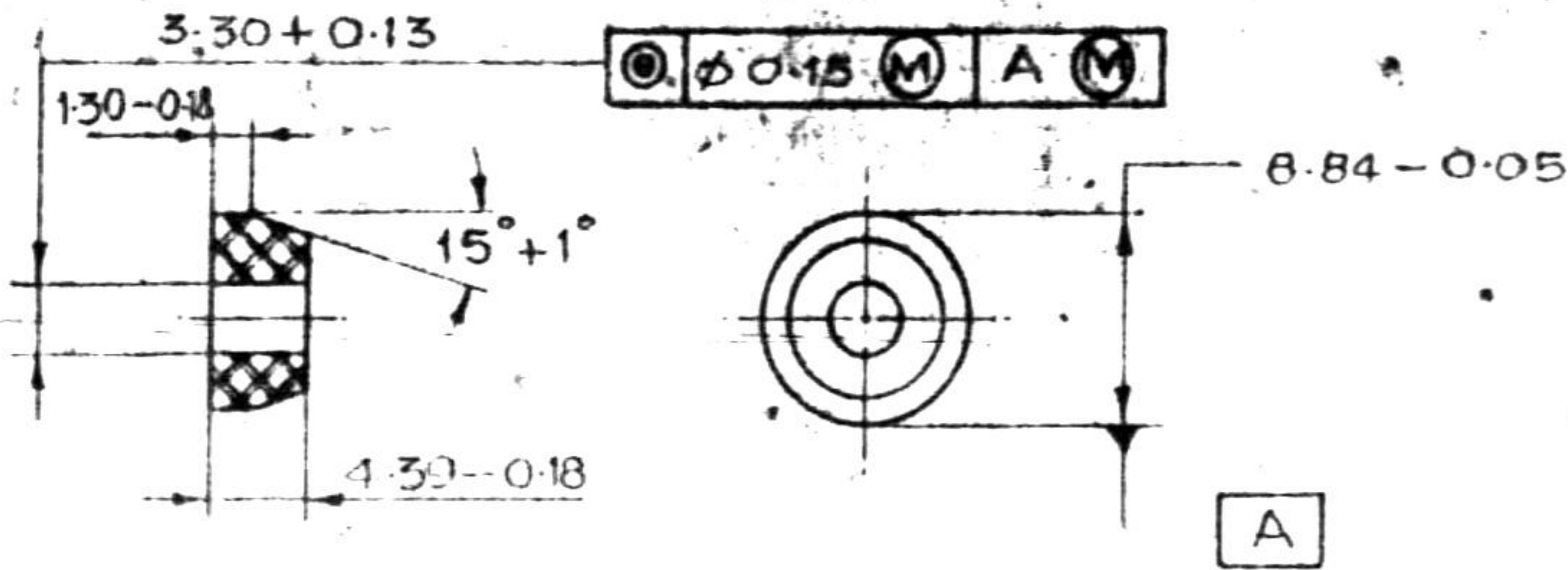
IQX 313

PART NO

DRG. CONVENTIONS CONFORM TO IS : SPECIFICATIONS DIMENSIONS ARE IN mm.

DC 26194 - A

GEN. TOL. MEDIUM CLASS TO IS : 2102 - 1969. TECH. REQUIREMENTS SPECIFICATION SQA(A) 1803 (e)



MATERIAL:-

ZINC BASE ALLOY TO IS:742:1981 ALLOY A DIE CAST TO JSS 0464 - 01 (SEP. 86) CLASS I OR ALUMINIUM ALLOY TO IS : 617 : 1975 AND 3 DESIGNATION 4223 WP OR ALLOY 4600 PRESSURE DIECAST TO JSS 9530 - 01 (FEB. 83) CLASS I OR ALUMINIUM ALLOY ROD TO SPEC. IS: 733 DESIGNATION 64430 WP.

PROTECTIVE FINISH:-

FOR ZINC MATERIAL CROMATE PASSIVATION TO IS:1340:1977 AND FOR ALUMINIUM ANODISING TO DEF 151 TYPE 2.

18-10-94	D.C. 35828-A	RETRACED WITHOUT CHANGE & NEW M/COPY REPLACED IN SUPPRESSION OF EXISTING DILAPIDATED COPY.			
		PREVIOUS D.C. NO. 26194-A, 26352-A, 26739-A, 26931-A, 28860-A, 30037-A, 31193-A, 34399-A, 35137-A, 35573-A.			
R. NO	DATE	AUTHORITY	REVISION	ZONE	AHSP D.O. SIG.

DRG. SEALED: 24-2-62.

DRN.	CHD.	TRD. RCD	COMP.	ASSY. DRG.
C.D'MAN	0/k D.O.			IQX 18A
APPD.	SD/-	EST. MASS: 0.54 g.	GAUGE SCHD: I 1092	
	FOR CQA(A).	DATE: 8-8-61		

MATERIAL:- AS ABOVE DESIGNER'S REF. 19 SHTS. 5HT. 7
PROTECTIVE FINISH:- AS ABOVE I.A. 1901

	PART NO
	IQX 313
	D. S. CAT NO
	AHSP:- C.Q.A.(A) KIRKEE

PLUG