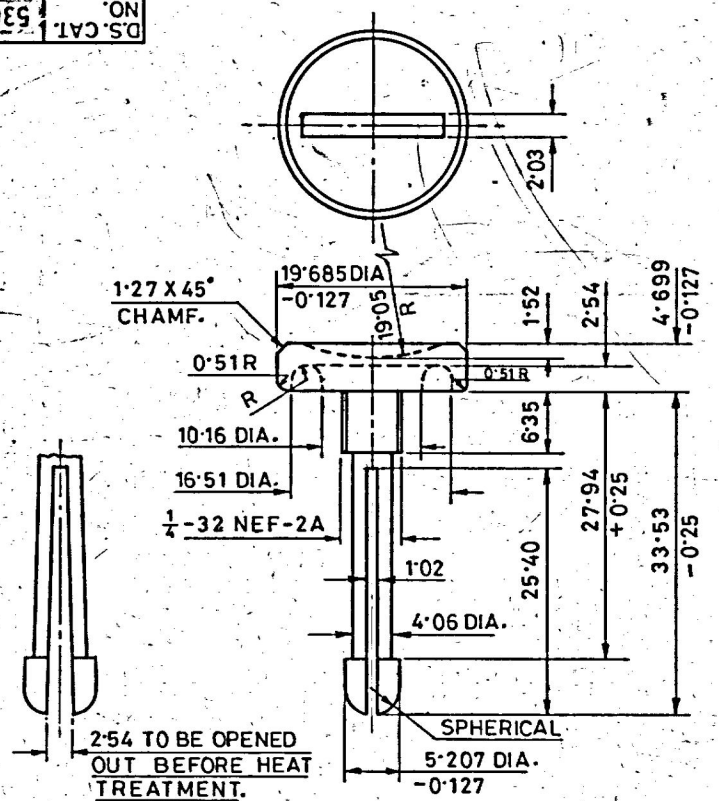


991810-5085
DS.CAT. NO. 5305-018166

DIMNS ARE IN mm



PROTECTIVE FINISH:-
HEAD PORTION:-
 PHOSPHATE TO SPECN. JSS: 0465-01-1988
 CLASS I PAINT RFU FINISHING AMMUNITION
 STOVING BLACK SPRAYING FOR SMALL ARMS
 TO SPECN. JSS: 8010-37.
REST PORTION:-
 PHOSPHATE TO SPECN. JSS: 0465-01:1988
 CLASS I, OIL FINISH.

NOTE FOR SPECN:-
 FOR SPECN. LATEST ISSUE SHOULD BE
 FOLLOWED.

NOTE :-
 FOR EXPLANATION OF DETAILS WHEREVER
 NOT SPECIFIED, REFER D.D.NOTE SHEET
 NO.3 (LATEST ISSUE)

METRIC.

02.02.2000.		24629-SA	DS.CAT. NO. 5305-018166 WAS 1005-001695	DRN		CHD	TRD	COMP	ASSY.	1005-001501, 1005-001502 1005-001503	
5-4-95				22930-SA	SPECN. JSS: 0465-01-1988 CLASS-I WAS SPECN. WPN/GEN 3 CLASS-1 SPECN. JSS: 8010-37 WAS IND/ME/881, NEG. RE-TRACED & DRG. RE-SEALED		APPROVED		DT. 19.6.67.		
DATE AUTHY				BRIEF RECORD	ZONE	I/C;DO	G.O.	NEG. RE-TRACED.		AHSP	CQA(SA), ICHAPUR
SEALD:-DC(1) No. 15037-SA. DATED: 15-2-77.				SIGN.		MATERIAL		STEEL BS 970 PT.1 SEC 2 Grd. 070 M55		DGNR'S REF.	ARDE 657/137
NOMENCLATURE				SCREW LOCKING HINGE PIN.		HT/HARDNESS		400-450 HV (56-59 HRD.)		PART NO	
						PROTECTIVE FINISH		AS STATED		DRG. NO.	
										D.S. CAT. NO	5305-018166