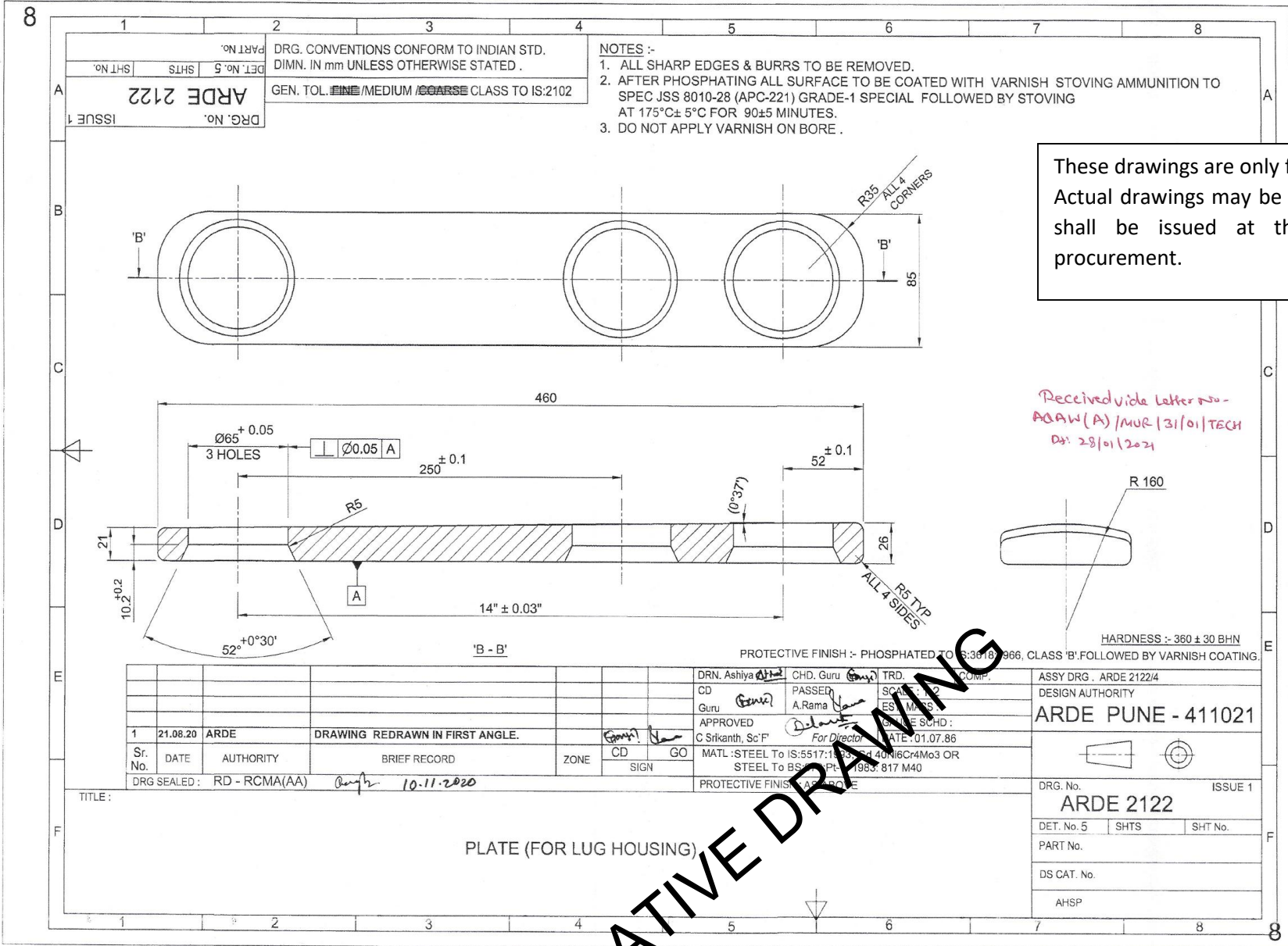


No part of these drawings may be reproduced in any form without prior permission in writing of OFM.



These drawings are only for reference. Actual drawings may be different and shall be issued at the time for procurement.

Received vide letter no-  
AAAW(A)/MUR/31/01/TECH  
Dt: 28/01/2021

PART No.	DRG. CONVENTIONS CONFORM TO INDIAN STD.
SHT No.	DIMN. IN mm UNLESS OTHERWISE STATED.
DRG. No.	GEN. TOL. FINE/MEDIUM/COARSE CLASS TO IS:2102

- NOTES :-
1. ALL SHARP EDGES & BURRS TO BE REMOVED.
  2. AFTER PHOSPHATING ALL SURFACE TO BE COATED WITH VARNISH STOVING AMMUNITION TO SPEC JSS 8010-28 (APC-221) GRADE-1 SPECIAL FOLLOWED BY STOVING AT 175°C  $\pm$  5°C FOR 90  $\pm$  5 MINUTES.
  3. DO NOT APPLY VARNISH ON BORE.

Sr. No.	DATE	AUTHORITY	BRIEF RECORD	ZONE	CD	GO	SIGN	MATL : STEEL To IS:5517:1983 OR 40Ni6Cr4Mn3 OR STEEL To BS:4360:1983: 817 M40
1	21.08.20	ARDE	DRAWING REDRAWN IN FIRST ANGLE.					

DRG. No.	ISSUE 1
ASSY DRG.	ARDE 2122/4
DESIGN AUTHORITY	ARDE PUNE - 411021
DRG. No.	ARDE 2122
DET. No.	5
SHTS	
SHT No.	
PART No.	
DS CAT. No.	
AHSP	

PLATE (FOR LUG HOUSING)

INDICATIVE DRAWING