

MATERIAL: **WHITE PAPER BEST QUALITY**

TREATMENT
HARDNESS:

SURFACE FINISH: **—**

PROTECTIVE FINISH: **—**

115

LIST OF CONTENTS

SL.No.	DESCRIPTION	DRAWING/SPECN. No.	QTY
1	RED DOT SIGHT WITH BATTERY	OLF/R&D/RDS/001, CR 1/3N OR DL 1/3N	01
2	CASE CARRYING FOR RED DOT SIGHT	OLF/R&D/RDS/001.07	01
SPARES AND ACCESSORY			
3	NAPKINE (FOR ALL INSTT.)	SVELT CLOTH 350X225mm.	01
4	ALLEN KEY FOR M4	STD. ITEM	01
5	USER HAND BOOK	OLF/R&D/RDS/WHB/001	01
6	MOUNTING BRACKET ASSY	OLF/R&D/RDS/001.06	01
	a. HEX. SOCKET HD.SCREW M4x10	IS:2269	02
	b. HEX. SOCKET HD.SCREW M4x26	IS:2269	01
7	SCREW DRIVER	TAPARIA PART NUMBER-974	01
8	CAP	OLF/R&D/RDS/001.04	01
9	CERTIFICATE	OLF/R&D/RDS/CR/001	01

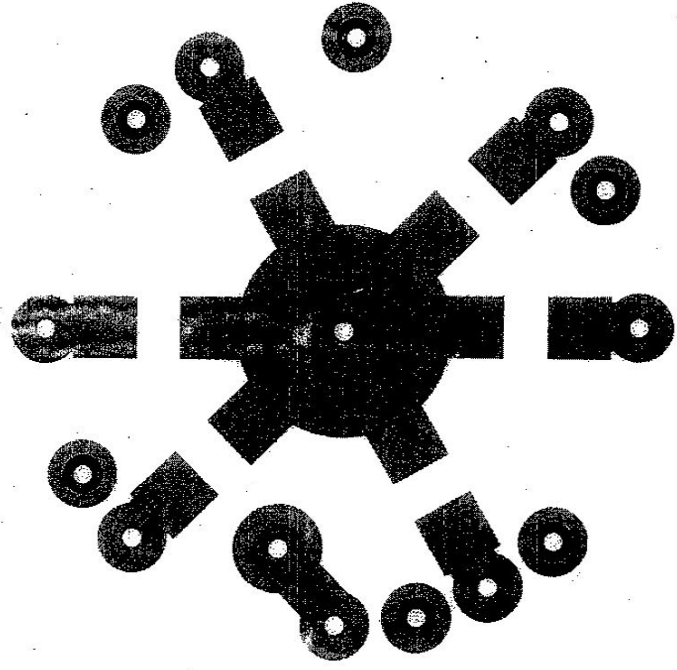
115

**आपके हेतु
FOR TRADE ONLY**

270918

ITEM	DESCRIPTION	No. OFF	MATERIAL	REMARKS
LIST OF PARTS				
COMPT. No.		OPTO ELECTRONICS FACTORY DEHRADUN		
2012	GEN. TOLIS 2102 (PT-1):1993-m	TITLE		
DRAWN	RED DOT SIGHT	LIST OF CONTENTS FOR RED DOT SIGHT CASED 101A		
CHECKED	16.10.2012	REF. COAI LETTER NO.178298/40MM MGL/OFT/INF M 1 dt.30 OCT. 2012		
JWM	NAME	DRG.No.OLF/R&D/RDS/001.09		
DGM/TS	DATE	SCALE: 1:1		
APPROVED		SHTS. 1		
AMENDMENTS		SHT.No. 1		

LETTER D BY BHSP/INF DC: 2822-F (P)28251(P)

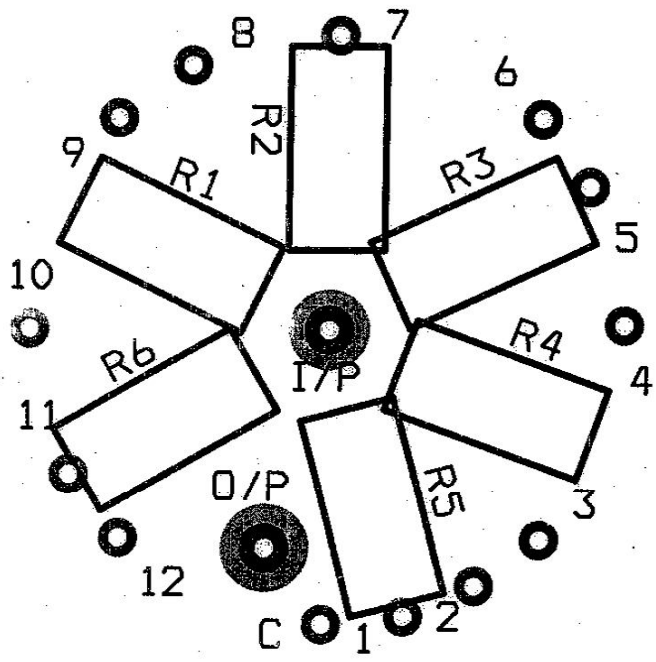


270918

ऑप्टिक हेतु

FOR TRADE ONLY

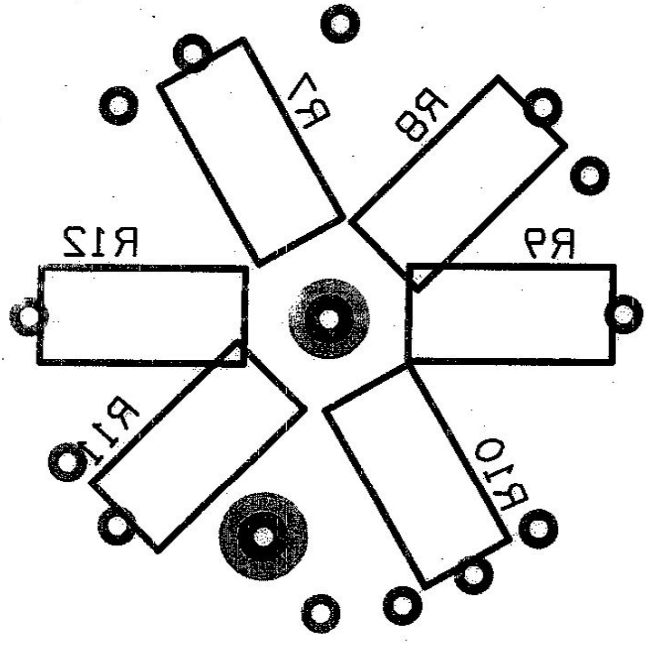
COMPT. No.		ASSY. DRG.		OPTO ELECTRONICS FACTORY DEHRADUN	
2007		RED DOT SIGHT		TITLE	
GEN. TOL. IS 2102-m (PT.-1)		17-4		DOUBLE SIDED	
DRAWN	RY	CHECKED	17.4	P.C.B. ASSY.	
HOS	3/4/01	DATE	17.4	REF.	
A/W/ R&D	NAME	M/YC.		M	
	3/4/01	4-2007		DRG.No.OLF/R&D/RDS/001.05.010	
DT./SIGN		DESCRIPTION		SCALE: 6:1	
AMENDMENTS				SHTS. 18	
				SHT. No. 16	



270918

अपुर्ण हर्ष
FOR TRADE ONLY

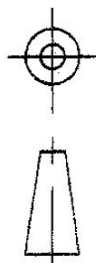
COMPT. No.		ASSY. DRG.		OPTO ELECTRONICS FACTORY DEHRADUN	
2007		RED DOT SIGHT		TITLE	
GEN. TOL. IS 2102-m (Pt.-1)		17-4		DOUBLE SIDED P.C.B. ASSY.	
DRAWN		17-4		REF.	
CHECKED		17-4		M	
HOS.		17-4		DRG.No.OLF/R&D/RDS/001.05.010	
NAME		DATE		SCALE: 6:1	
AWM/ R&D		M/YT.		SHTS: 18	
APPROVED		4-2007		SHT No 17	
AMENDMENTS		DESCRIPTION			
DT./SIGN					



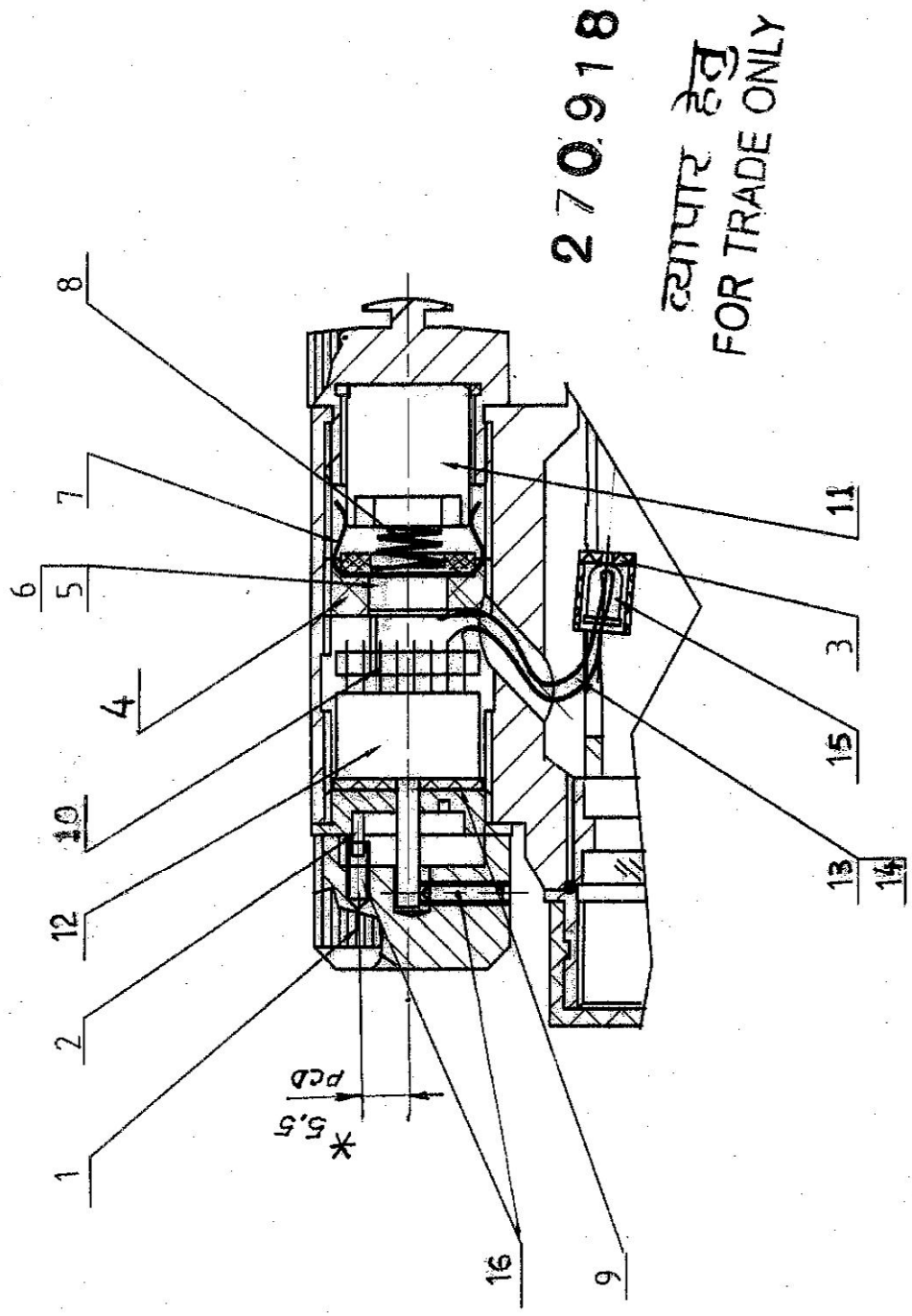
270918

ऑप्टिक हेतु
FOR TRADE ONLY

COMPT. No.		ASSY. DRG.		OPTO ELECTRONICS FACTORY DEHRADUN	
2007		RED DOT SIGHT		TITLE	
GEN. TOL. IS 2102-III (PT.-I)		17-4		DOUBLE SIDED	
DRAWN	REV	17-4		P.C.B. ASSY.	
CHECKED	SPRAGUE	17-4		REF.	
HOS	SPRAGUE	17-4		M	
AWM/ R&D		NAME		DRG.No.OLF/R&D/RDS/001.05.010	
DATE		M/Y/Y		SCALE 6:1	
4-2007		APPROVED		SHTS 18	
AMENDMENTS		D.T./SIGN		SHT. No. 18	
DESCRIPTION					

ITEM NO.	NOMENCLATURE	DRG NO.	QTY.	MATERIAL	SHEET SIZE
	ELECTRONICS ASSY	OLF/R&D/RDS/001.05			A4
	CIRCUIT DIAGRAM	OLF/R&D/RDS/001.05S			A4
		COMPONENTS			
1	KNOB	OLF/R&D/RDS/001.05.01	01	AL ALLOY IS 733 :83, GR.24345 (WP)	A4
2	SPRING	OLF/R&D/RDS/001.05.02	01	SHEET ST. STEEL IS : 6603-2001 Gr. X 20 Cr 13	A4
3	LED HOLDER	OLF/R&D/RDS/001.05.03	01	AL ALLOY IS 733 :83, GR.24345 (WP)	A4
4	BUSH	OLF/R&D/RDS/001.05.04	01	ACRYLIC	A4
5	BUSH	OLF/R&D/RDS/001.05.05	01	ACRYLIC ROD	A4
6	WASHER	OLF/R&D/RDS/001.05.06	01	FOAM SHEET (BLACK)	A4
7	FORK	OLF/R&D/RDS/001.05.07		COPPER-BARELIUM (HRD) C. B 101 18%	A3
8	COMPRESSION SPRING (CONED END)	OLF/R&D/RDS/001.05.08	01	X 07 Cr. 18 Ni 9 (Gr. 1) IS 4454 (Pt. 4) 2001.	A4
9	RING	OLF/R&D/RDS/001.05.09	01	N. RUBBER COMPOUND IS 5192 Pt. 1 : 1994 Gr-Z-50	A4
10	DOUBLE SIDED P.C.B. ASSY.	OLF/R&D/RDS/001.05.010	01		A4 - 6 SHT.
		STD. ITEMS			
11	LITHIUM CELL	MODEL-CR-1/3 NOR'DL 1/3N	01		270918
12	12 POLE ROTARY SWITCH	RS STOCK No. 327-945	01		बिचुप्टे डीग
13	WIRE 0.12MM ²	-	0.5M		FOR TRADE ONLY
14	PVC SLEEVE 1X0.4	-	0.5M		
15	LED (RED)-3MM	RS STOCK No. 247-1656	01		
16	GRUB SCREW M2X6 ¹ / ₂	-	03	IS: 2388-78-6, 6 ZINC PLATED	
		COMPT. No.	ASSY. DRG.	OPTO ELECTRONICS FACTORY DEHRADUN	
			RED DOT SIGHT	TITLE	
		2007	GEN. TOL. IS 2102-m (Pt.-1)	ELECTRONICS ASSY	
		DRAWN	17-4	REF.	
		CHECKED	17.4	M	
		HOS	17.4		
		NAME	DATE	DRG.No. OLF/R&D/RDS/001.05	
		AWM/ R&D	M/Yr.	SCALE: 2:1	
			4-2007	SHTS. 18 SHT. No. 01	
		APPROVED			
		AMENDMENTS			

MATERIAL: _____ TREATMENT: _____
 SURFACE FINISH: _____ PROTECTIVE FINISH: _____



270918
 OPTO ELECTRONICS FACTORY
 DEHRADUN
 FOR TRADE ONLY

* ONE TAPPED HOLE M2 X 4 DEEP TO BE DONE IN ASSY.
 AT R55PCD IN PART No.1

ITEM	DESCRIPTION	No. OFF	MATERIAL	REMARKS
LIST OF PARTS				
COMPT. No.	ASSY. DRG.	OPTO ELECTRONICS FACTORY		
	RED DOT SIGHT	DEHRADUN		
2007	GEN. TOL. IS 2102-m (PT.-1)	TITLE		
DRAWN	R92 16/4	ELECTRONICS ASSY		
CHECKED	G.D. 16.4	REF.		
RDS	G.D. 16.4	M		
	NAME	DRG.No. OLF/R&D/RDS/001.05		
AWM/R&D	M/Y.F.	SCALE: 1:1		
	DATE	SHTS. 12		
	APPROVED	SHT. No. 03		
AMENDMENTS				

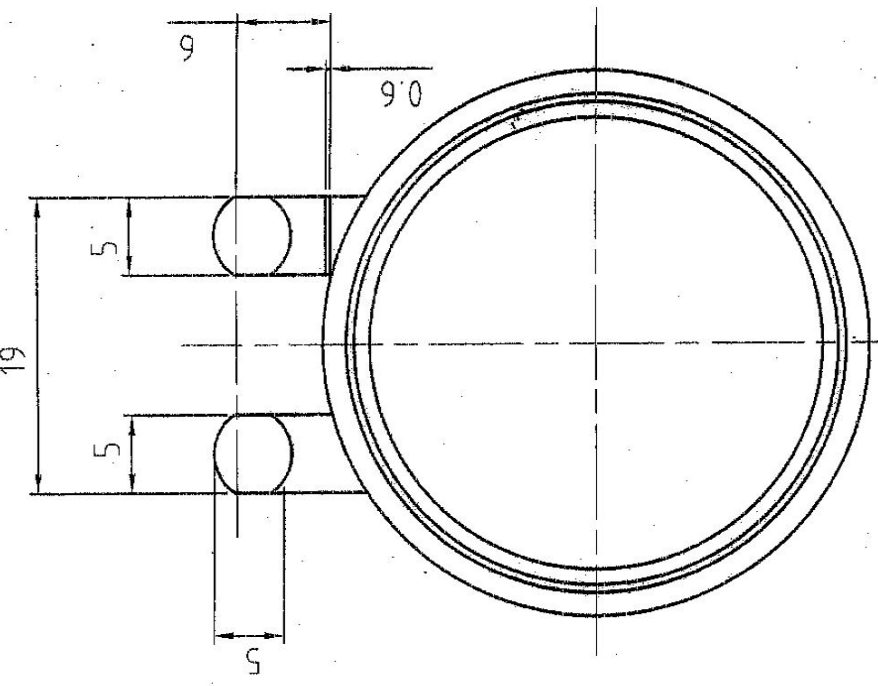
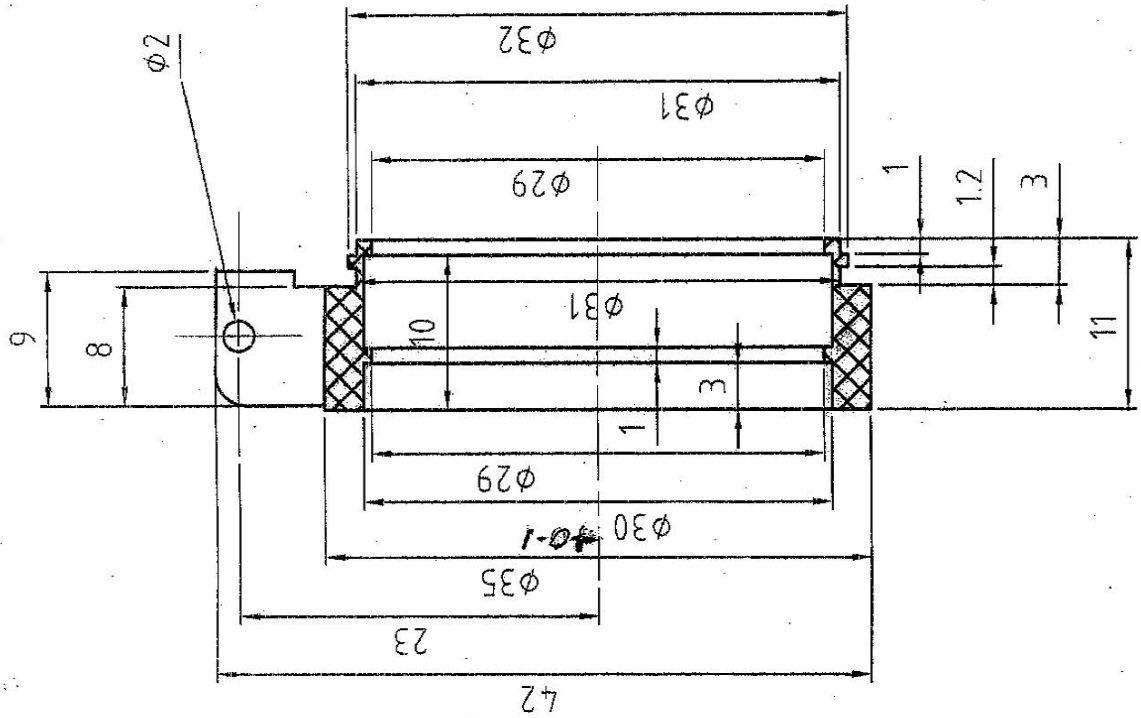
SYNTHETIC RUBBER NITRILE BLACK

MATERIAL - BA-3 RHD 51-60 TO BS: 2751-56

SURFACE FINISH: ∇

TREATMENT -

PROTECTIVE FINISH -



270918

**ऑप्टिकर हेल्डर
FOR TRADE ONLY**

QTY:-01

ITEM	DESCRIPTION	No. OFF	MATERIAL	REMARKS
LIST OF PARTS				
COMPT. No.	ASSY. DRG.	TITLE		
2007	RED DOT SIGHT	OPTO ELECTRONICS FACTORY		
GEN. TOL. IS 2102-m (Pt.-1)	16/4	DEHRADUN		
DRAWN	A4	HOLDER		
CHECKED	पुष्प म	REF.		
HOS	पुष्प म	M		
NAME	16.4	DRG.No. OLF/R&D/RDS/001.03.01		
DATE	16.4	SCALE: 2:1		
M/Yr.	4/07	SHTS. 04		
AWM/R&D	पुष्प म	SHT. No. 03		
APPROVED				

D.A.No. DT./SIGN DESCRIPTION

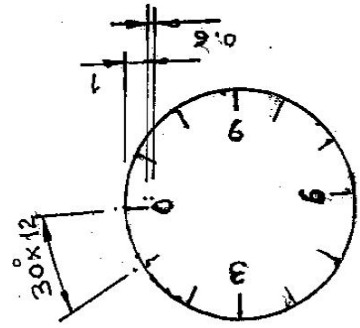
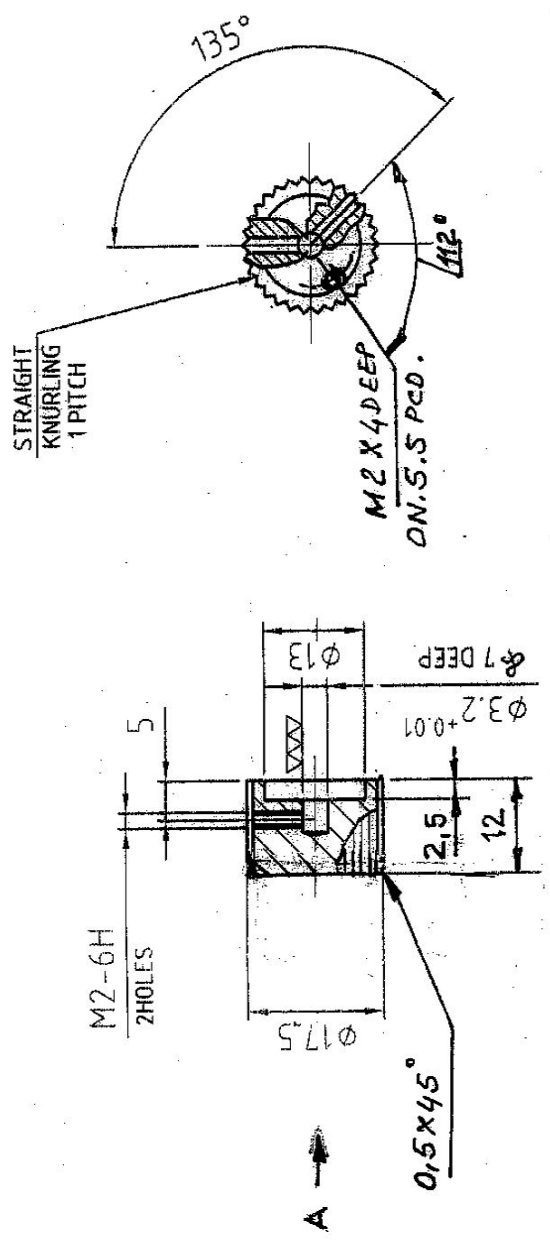
AMENDMENTS

MATERIAL - AL ALLOY IS 733 : 83 Gr.24345 (WP)

TREATMENT -

SURFACE FINISH: 

PROTECTIVE FINISH - ANODIC OXIDATION BLACK



270918
 कतिपय ढंग
 FOR TRADE ONLY

ENGRAVING TO BE DONE IN ASSY.
 AFTER MARKING '0' POSITION OF SWITCH. No.OFF-01
 LATTER HIGHT 2mm.

VIEW-A

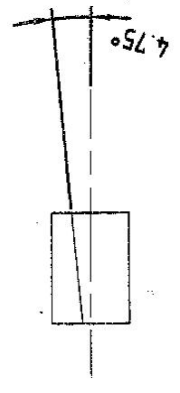
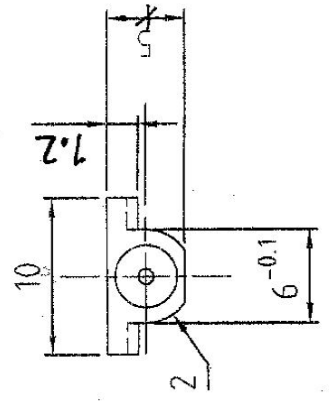
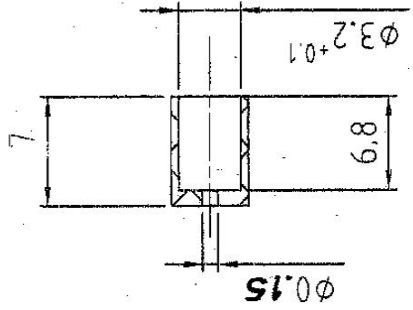
ITEM	DESCRIPTION	No. OFF	MATERIAL	REMARKS
LIST OF PARTS				
COMPT. No.	ASSY. DRG.	TITLE		
2007	RED DOT SIGHT	OPTO ELECTRONICS FACTORY DEHRADUN		
DRAWN	GEN. TOL. IS 2102-m (Pt.-1)	KNOB		
CHECKED	Atc	M 2		
JWM	16/4	REF.		
	16.4.	DRG.No. OLF/R&D/RDS/001.05.01		
	16.4.	SCALE: 1:1		
AWM/R&D	NAME	SHTS 18		
	DATE	SHT. No. 04		
	M/Yr.			
	4/07			
APPROVED				
AMENDMENTS				
D.A.No.	DT./SIGN	DESCRIPTION		

MATERIAL: AL ALLOY IS 733 : 83 Gr.24345(WP)

TREATMENT: —

SURFACE FINISH: ▽▽

PROTECTIVE FINISH :- ANODIC OXIDATION BLACK



270918
 वापस लेव
 FOR TRADE ONLY

QTY/SET:01

ITEM	DESCRIPTION	No. OFF	MATERIAL	REMARKS
LIST OF PARTS				
COMPT. No.	ASSY. DRG.	TITLE		
2007	RED DOT SIGHT	OPTO ELECTRONICS FACTORY DEHRADUN		
DRAWN	GEN. TOL. IS 2102-m (Pt.-1) A92	LED HOLDER		
CHECKED	16/4	REF. M 1		
JWM	16.4	DRG.No. OLF/R&D/RDS/001.05.03		
AWM/R&D	16.4	DATE		
	NAME	M/Y.		
	APPROVED	4/07		
D.A.No.	DT./SIGN	DESCRIPTION		
AMENDMENTS				
SCALE: 2:1		SHTS: 12 SHT. No: 06		

MATERIAL: **WHITE PAPER BEST QUALITY**

TREATMENT
HARDNESS:

SURFACE FINISH: **PROTECTIVE FINISH: -**

115

LIST OF CONTENTS

SL.No.	DESCRIPTION	DRAWING/SPECN. No.	QTY
1	RED DOT SIGHT WITH BATTERY	OLF/R&D/RDS/001, CR 1/3N OR DL 1/3N	01
2	CASE CARRYING FOR RED DOT SIGHT	OLF/R&D/RDS/001.07	01
SPARES AND ACCESSORY			
3	NAPKINE (FOR ALL INSTT.)	SVELT CLOTH 350X225mm.	01
4	ALLEN KEY FOR M4	STD. ITEM	01
5	USER HAND BOOK	OLF/R&D/RDS/WHB/001	01
6	MOUNTING BRACKET ASSY	OLF/R&D/RDS/001.06	01
	a. HEX. SOCKET HD.SCREW M4x10	IS:2269	02
	b. HEX. SOCKET HD.SCREW M4x26	IS:2269	01
7	SCREW DRIVER	TAPARIA PART NUMBER-974	01
8	CAP	OLF/R&D/RDS/001.04	01
9	CERTIFICATE	OLF/R&D/RDS/CR/001	01

115

आपूर्ति हेतु 270918
FOR TRADE ONLY

ITEM	DESCRIPTION	No. OFF	MATERIAL	REMARKS
LIST OF PARTS				
COMPT. No.		OPTO ELECTRONICS FACTORY DEHRADUN		
2012	GEN. TOLLS 2102 (PT-1):1993-m	TITLE		
DRAWN	ASSY. DRG. RED DOT SIGHT	LIST OF CONTENTS FOR RED DOT SIGHT CASED 101A		
CHECKED	16.10.2012	REF. COAI LETTER NO.178298/40MM MGL/OFT/INF M 1 dt.30 OCT. 2012		
JWM	NAME	DRG.No.OLF/R&D/RDS/001.09		
DGM/TS	DATE	SCALE: 1:1		
APPROVED		SHTS. 1		
AMENDMENTS		SHT.No. 1		

LETTER D BY BHSP/INF DC: 2822-F (P)28251(P)