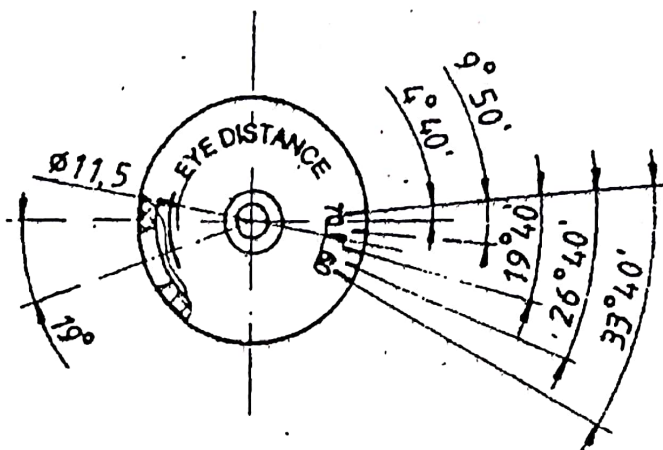


ORDNANCE FACTORY, DEHRADUN

# BINOCULAR 8x30 R RING RETAINING

DRG. NO  
COA(I) 789/35 SM-2

THIRD ANGLE PROJECTION 



FOR TRADE ONLY  
Date of Issue 20/01/2010  
Rg

LABELLING: HELVETICA STD. 5 PT.  
LINE SIZE 0.25  
EMBOSSED SIGNAL WHITE

M 1:1

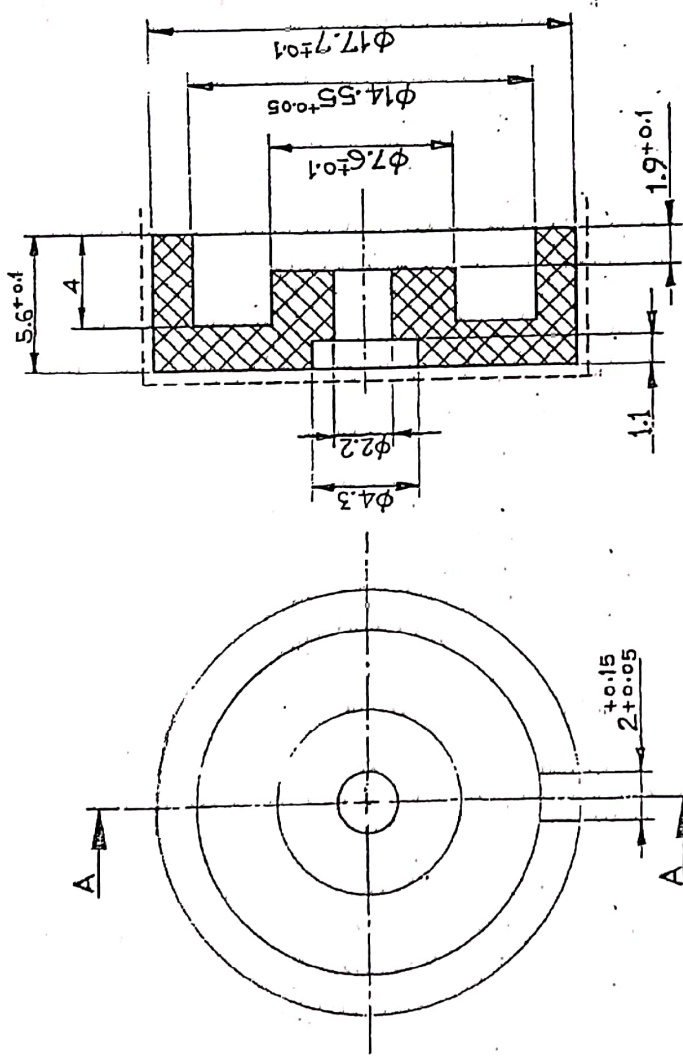


ON THIS BLANK MCT-2947/1

TEMPERATURE COMPATIBILITY OF THE COMPONENTS.  
(+80°±3° & -40±3°)

MATL. & SPEC:- PC

		DT.- 12-06-2010	SCALE - NTS
		MATL.	TREAT.
		AS ABOVE	AS ABOVE
		SHEETS. 1	SHT. NO. 1
DA-01/15 dt 02/01/15		<u>APPROVED</u>	
AMENDMENTS		<u>DRAWING NO.</u>	
OFD/DO/002		MCT-2948/1	
JWM/D.O.		WM/P	



SECTION A-A

-----VISUAL SURFACE: SURFACE ROUGHNESS  
ACCORDING TO VDI 3400 REF 30

COLOUR - RAL 6014

FOR TRADE ONLY  
Date of Issue: 28/01/2020  
P.S.

TEMPERATURE COMPATIBILITY OF -  
THE COMPONENTS: 40 ± 5 (5-10 ± 3°)  
MATL. & SPEC:- PC - COLOUR ACCORDING TO ORDER

**BINOCULAR 8x30 R**  
**RING RETAINING**

DT-12-06-2010	SCALE - NTS
MATL.	TREAT.
AS ABOVE	AS ABOVE
DR. No. 01/2015 dt. 21/2015	SHT. NO. 1
AMENDMENTS	DRAWING NO.
0FD/00/002	MCI-2947/1

DRAWN BY: P.C.SINGH	DRG. NO CQ/III 789/25 SH-1
TR-	WM/P
CH- <i>PS</i>	JMM/D.O.
APPROVED	

ORDNANCE FACTORY  
DEHRADUN