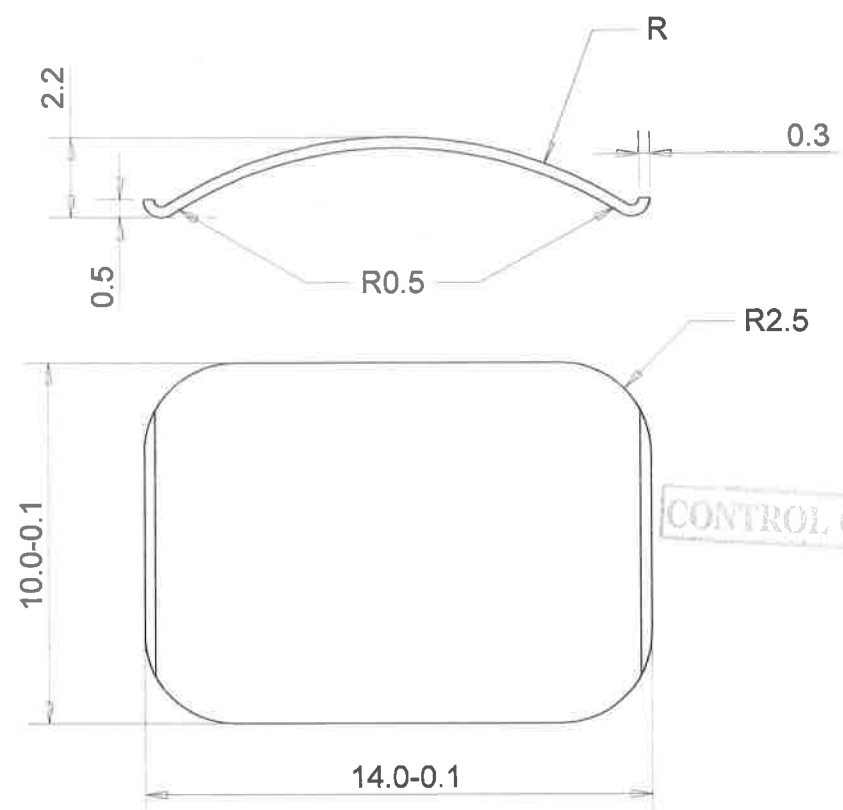


1 2 3 4
 SST C A AA S SS IC
 C 0 0 0 0 6 0 0 0 1 0 1 0 0 2 0 3 0 4 0 2 0 0
 DRG.No.

GEN TOL FINE/MEDIUM/COARSE CLASS TO IS:2102
 DRG CONVENTIONS CONFIRM TO INDIAN STDS. DIMN IN mm UNLESS OTHERWISE STATED



CONTROL COPY No. 2

- NOTE:-
- 1) R 2.5 TO BE MAINTAINED AT BLANKING STAGE.
 - 2) HARDENED AND TEMPERED TO 400-450 HV

2.	19/10/16	M-36	DRAWING REVISED	---	
1.	17/03/16	M-31	DIMN 14.0 WAS 17.0 DIMN 0.7 WAS 0.5 DIMN 2.30 WAS 1.75	C-1 B-2 B-1	
SR No	DATE	AUTHORITY	BRIEF RECORD	ZONE	
DRN: PRANAV	CHD	MATERIAL:- STEEL STRIP TO IS:4072-1975 Gd. 80C6		CD GO	SIGN
APPD	DATE 19/10/2016	For Director	PROTECTIVE FINISH:-PHOSPHATED TO SPECN. IS:3618-1966 CLASS 'B'		
SEALED	DATE		TITLE		
SCALE 5:1	EST MASS				
DESIGN AUTHORITY					
ARDE					
PUNE 411021					

LEAF SPRING REAR SIGHT

DRG.No. 0 2 0 4 0 3 0 2 0 0 0 1 0 0 9 0 0 D C
 IC SS S AA A C SST
 PART No DS CAT No AHSP