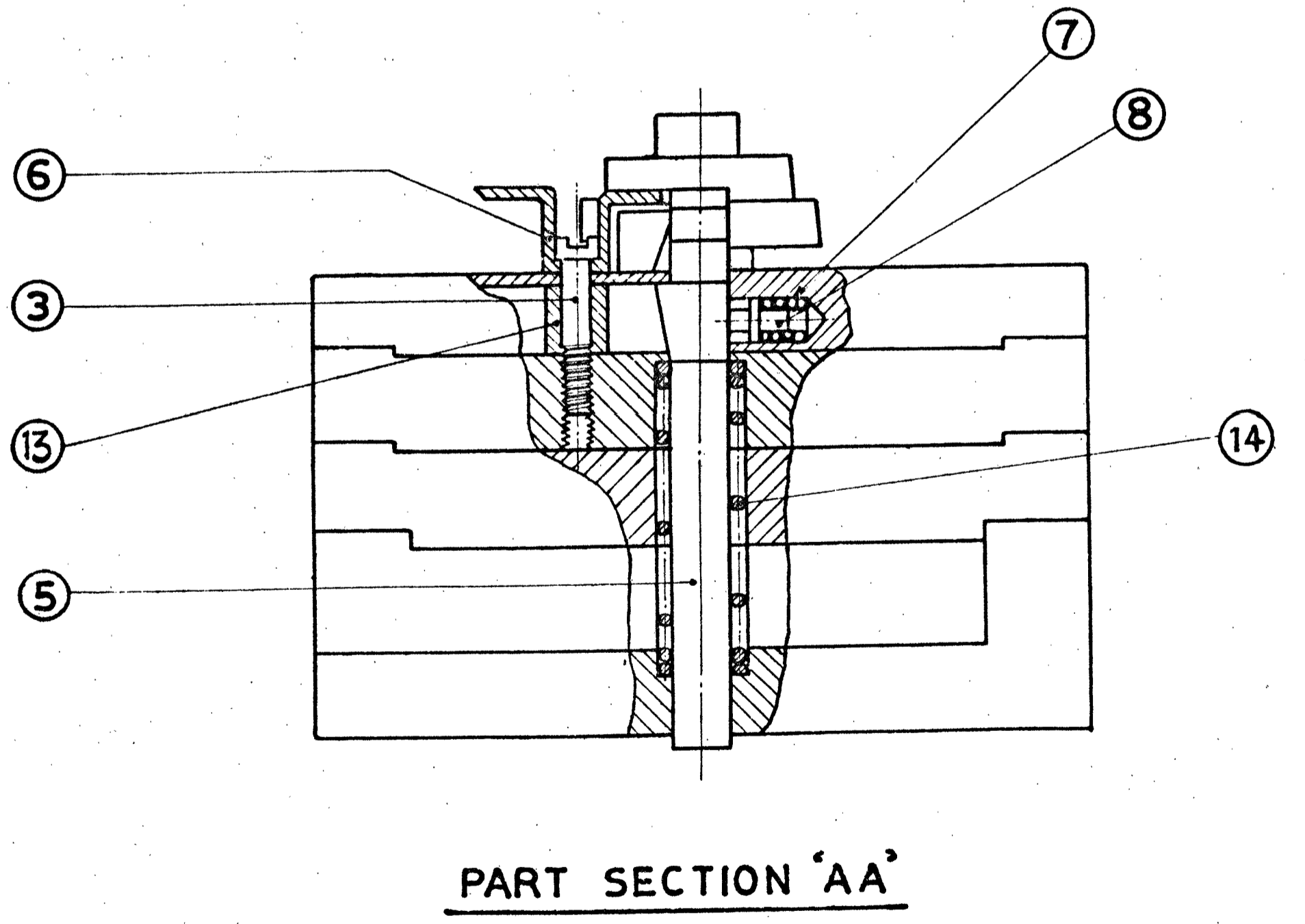
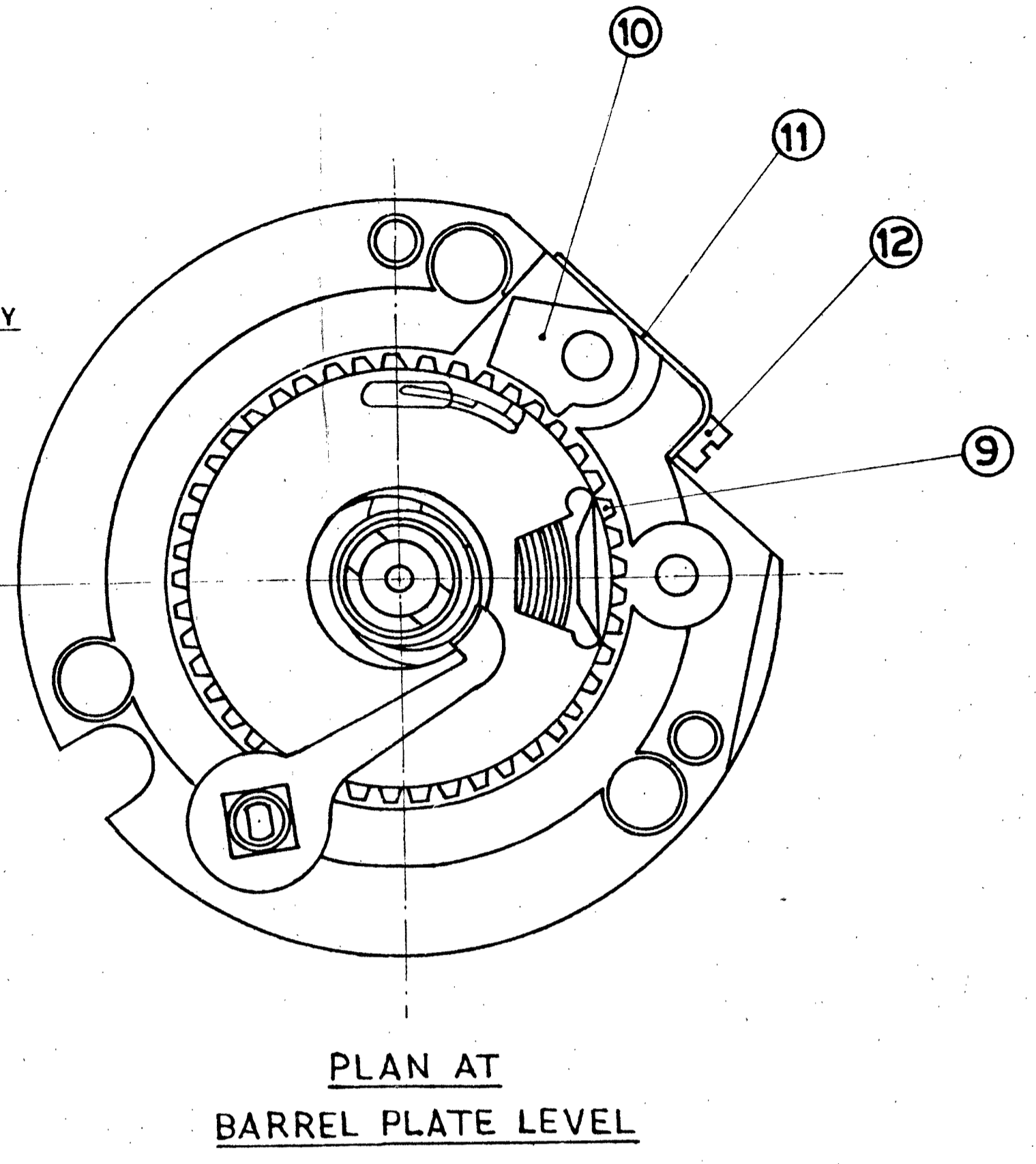
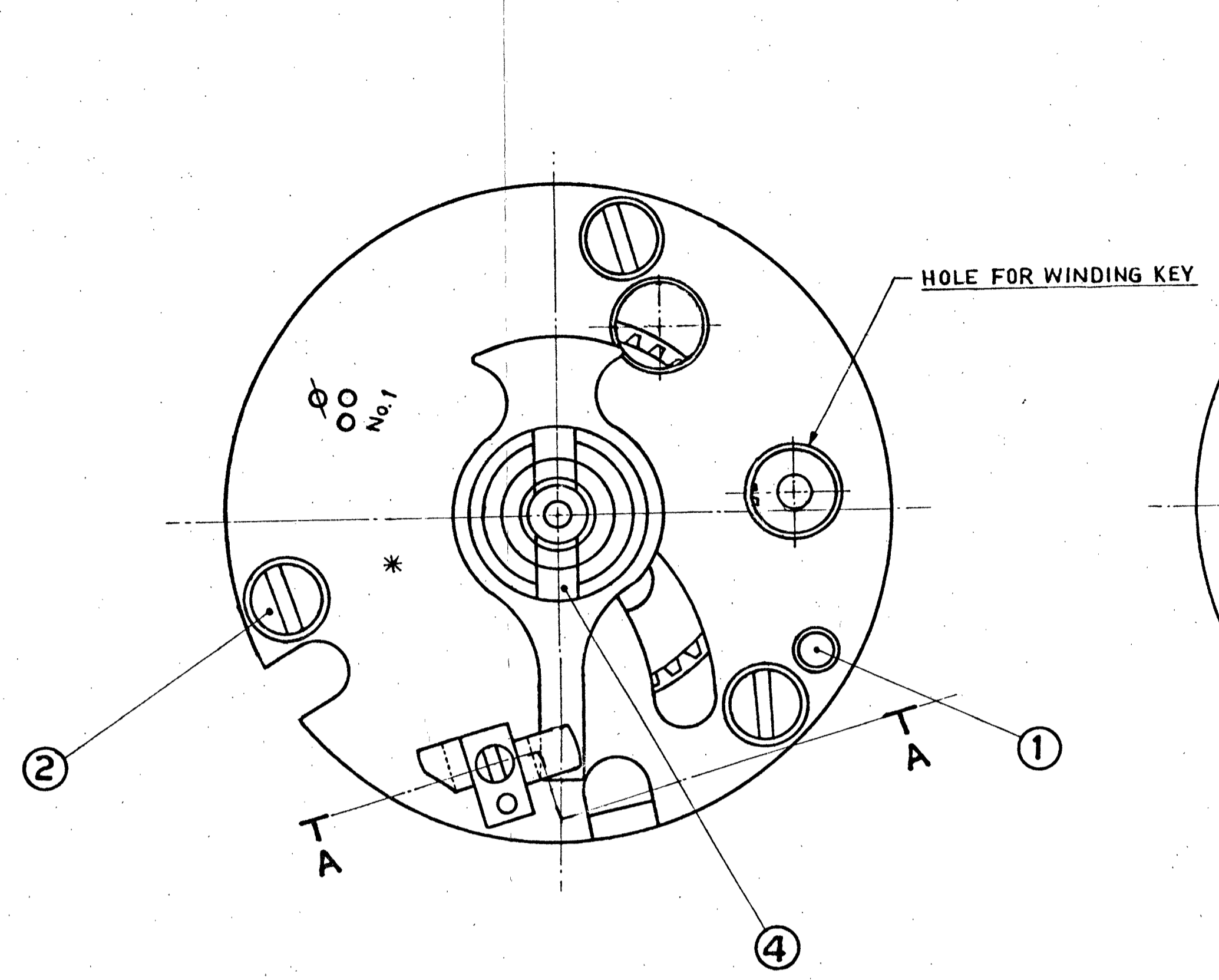


DRG CONVENTIONS CONFORM TO IS: 696  
DIMNS ARE IN mm

PART NO. D.C.I. 33461-A

LIST OF COMPONENTS.

ITEM NO.	DESCRIPTION	PART NO.	DESIGNER'S REF.	NO. PER SET.
1	DOWEL PIN, LONG	QX 762	FD 3394	1
2	HOLDING SCREW	QX 759	FD 3387	3
3	SCREW BRIDGE.	IQX 810	ARDE 1967/11	1
4	HAND & HAND CENTRE ASSY	IQX 62 SA	ARDE 1967/12	1
5	PLUNGER	IQX 807	ARDE 1967/8	1
6	BRIDGE	IQX 809	ARDE 1967/10	1
7	SPRING LOCKING BOLT	QX 750	- FD 3374	1
8	PLUNGER LOCKING BOLT	IQX 806	ARDE 1967/7	1
9	BARREL	QX 615	- FD 3355	1
10	CLICK	QX 611	- FD 3339	1
11	CLICK SPRING	QX 610	- FD 3340	1
12	SCREW CLICK SPRING		FD 3341	1
13	SPACER	IQX 808	ARDE 1967/9	1
14	SPRING (PLUNGER)	IQX 805	ARDE 1967/6	1



NOTE :-

ALL BURRS & SHARP EDGES TO BE REMOVED

MARKINGS :

- No.1 TYPE OF MECHANISM AS APPLICABLE
- Ø MECHANISM SERIAL NUMBER.
- YEAR OF MANUFACTURE / MODIFICATION WHERE APPLICABLE.
- \* INITIALS OF CONTRACTOR MANUFACTURING / MODIFYING CLOCK WHERE APPLICABLE.

19-7-03	SCANNED WITHOUT CHANGE.	DRN VDK	CHD	TRD UND	COMP	ASSY DRG	IQX 67 GE
3	27-6-87 D.C.I. 34168-A	DS CAT'NO ADDED.	CD	PASSED	SCALE	DESIGN AUTHORITY	ARDE PUNE-21
2	28-8-84 D.C.I. 33639-A	UNDER NOMENCLATURE'S (M-4) ADDED	APPROVED	FOR DIRECTOR	GAUGE SCHD	DATE	4-3-83
1	20-7-83 D.C.I. 33461-A	DRG. PROV. SEALED.					
R NO	DATE	AUTHORITY	BRIEF RECORD	ZONE	AHSP D.O. SIGN	MATL:	
	DRG. SEALED:-	20-7-83 (PROV.)	APPROVED		FOR C.I.(A)	PROTECTIVE FINISH	

MECHANISM TIME 80 SECONDS IA (M-2)  
FOR  
FUZE T & P DA NO.213 P MK 5 (M-3) & (M-4)

DESIGNER'S REF.  
ARDE 1967  
DET NO.1 (4 SHTS) SHT. 4  
PART NO. IQX 79A SHT. 4  
DS CAT NO. 1390-000507  
AHSP C I (A) KIRKEE