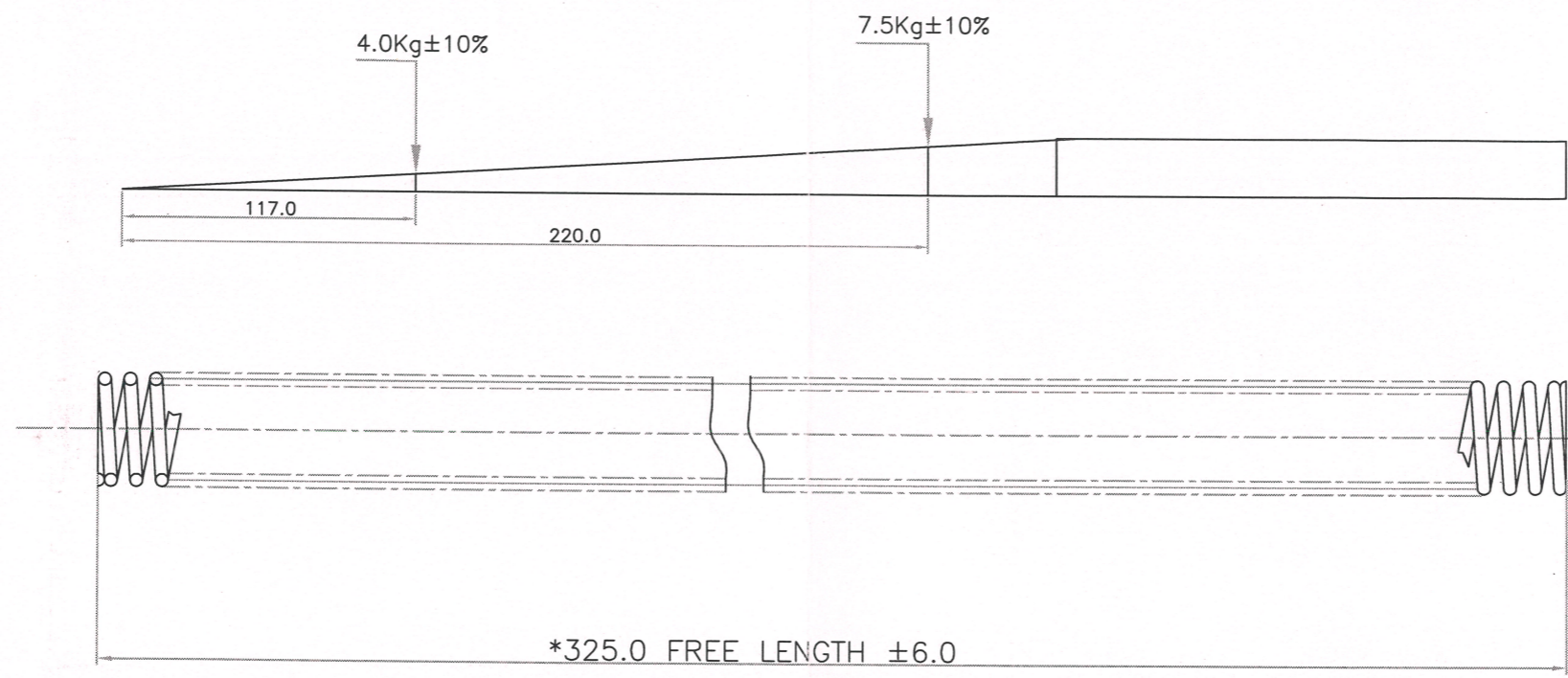


DRG. No. 02040302000600400DA

GEN. TOL. FINE/MEDIUM/COARSE CLASS TO IS:2102  
 DRG. CONVENTIONS CONFIRM TO INDIAN STD. DIMN. IN mm UNLESS OTHERWISE STATED



SPRING DATA:-  
 WIRE DIA : 1.25  
 MEAN DIA : 10.2  
 No.OF EFFECTIVE COIL : 70  
 FREE LENGTH : 325.0±6.0  
 WOUND RH OR LH.  
 STRESS RELIEVED  
 TWO COILS AT EACH END TO BE CLOSED IN & GROUND SQUARE TO THE AXIS OF THE COIL, LEAVING 3/4 OF COIL AT EACH END NON-EFFECTIVE.

\* SHOULD BE CONFIRMED AFTER GIVING THE CRAMP TEST TO SOLID LENGTH FOR 24 HOURS

Sr. No.	DATE	AUTHORITY	BRIEF RECORD	ZONE	CD	GO
DRN. KSD		CHD.			SIGN	
APPD.	DATE 08/11/10	For Director	MATERIAL:	STEEL TO IS: 4454( Pt-1) 2001, DH		
SEALED	DATE		PROTECTIVE FINISH:	PHOSPHATE DO SPECN. IS:3618-1966 , CLASS 'B'		
SCALE 2:1	EST. MASS	TITLE	<b>SPRING RECOIL</b>			
DESIGN AUTHORITY						
ARDE	PUNE 411021		DRG. No.	02040302000600400DA		
PART No.	DS CAT. No.	AHSP				