

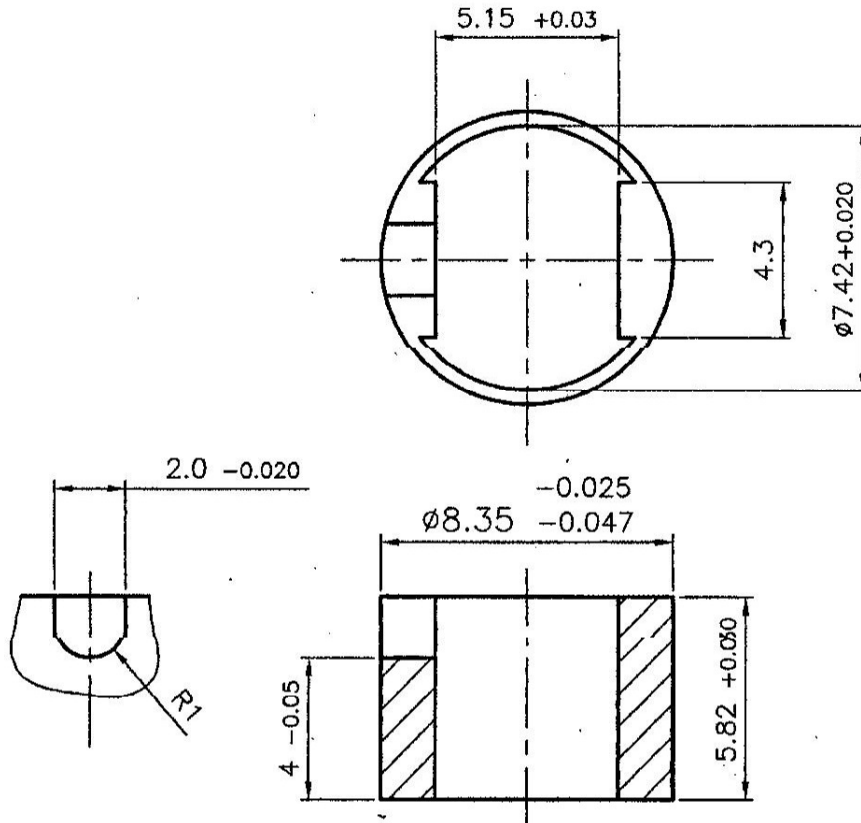
DRG. NO : FS-2484 B

A M E N D M E N T S

TOLERANCE ON UNTOLERATED DIMNS. ARE AS PER IS: 2102, MEDIUM CLASS

PROVISIONAL

REV.	DATE	DESCRIPTION	SIGN.
A 243/04	10-08-04	Material Nylon deleted & dng. marked provisional	<i>se</i> JSM/RS/P
B 190 2014	16-8-14	DELRIN 150 was DELRIN	<i>se</i> Sr DIR OPC



MATERIAL: DELRIN [®] 150
(ACETOL HOMOPOLYMER)
COLOUR : WHITE

FLASHES ARE NOT PERMITTED.

DIMENSIONS ARE IN mm			MATERIAL : AS ABOVE		ORDNANCE FACTORY AMBAJHARI
THIRD ANGLE PROJECTION			NOMENCLATURE :		
SCALE : 5 : 1			ROTOR HOLDER		DRG. NO :
2004	NAME	DATE			FS-2484 B
DRAWN	<i>sekar</i>	02/03/04			SHEET NO : 1
REDRAWN					NO. OF SHEETS : 1
CHECKED	<i>Pomal</i>	03/03/04			OPERATION NO :
JWM/QDD	<i>Pomal</i>	03/03/04	COMPT. : FUZE M859		
APPVD.	JGM/R&D	<i>se</i>	03/03/04	MACHINE :	
				STORE :	
				AMMN. 20mm AMR SAPHEI	